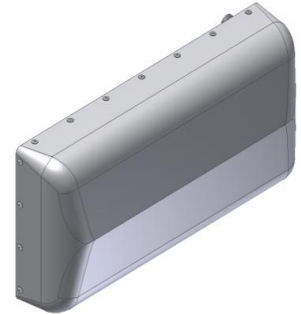


X-pol Dual Band Antenna, 698–960/1695–2700 MHz

Split Beam 34° Horizontal Pattern

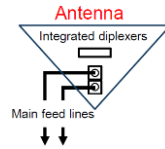
- Split beam, 2-sector MIMO Stadium Antenna reduces sector overlap
- Separate housing and reflector construction optimizes RF performance while maximizing mechanical strength
- Good passive intermodulation (PIM) performance reduces harmful interference
- Perfect for stadium/arena /special event coverage
- Includes flexible stadium bracket
- Suitable for WCS/LTE/CDMA/UMTS/GSM/WiMAX (Neutral Host)
- Optional internal diplexers reduce external cabling and improve aesthetics



Includes integrated diplexers

Reduces mainline cables

Eliminates external tower devices



Electrical specifications

Frequency band, MHz	698–824	824–960	1695–1920	1920–2200	2200–2360	2360–2700
Horizontal beamwidth, 3 dB points	36°	30°	40°	36°	31°	29°
Gain, dBi	9.2	10.6	10.7	10.5	11.2	11.7
Vertical beamwidth, 3dB points	65°	56°	65°	66°	57°	53°
Front-to-back at 180°, dB	> 20		> 28			
Polarization	+/-45°			+/-45°		
Electrical downtilt	0°			0°		
VSWR / return loss, dB, maximum	1.5:1/14			1.5:1/14		
Isolation between ports, dB, minimum	25			25		
Intermodulation (2 x 20 W), IM3, dBc, maximum	-153			-153		
Impedance, ohms	50			50		
Maximum power per connector, CW (W)	250 @ 800 MHz			125 @ 1900 MHz		

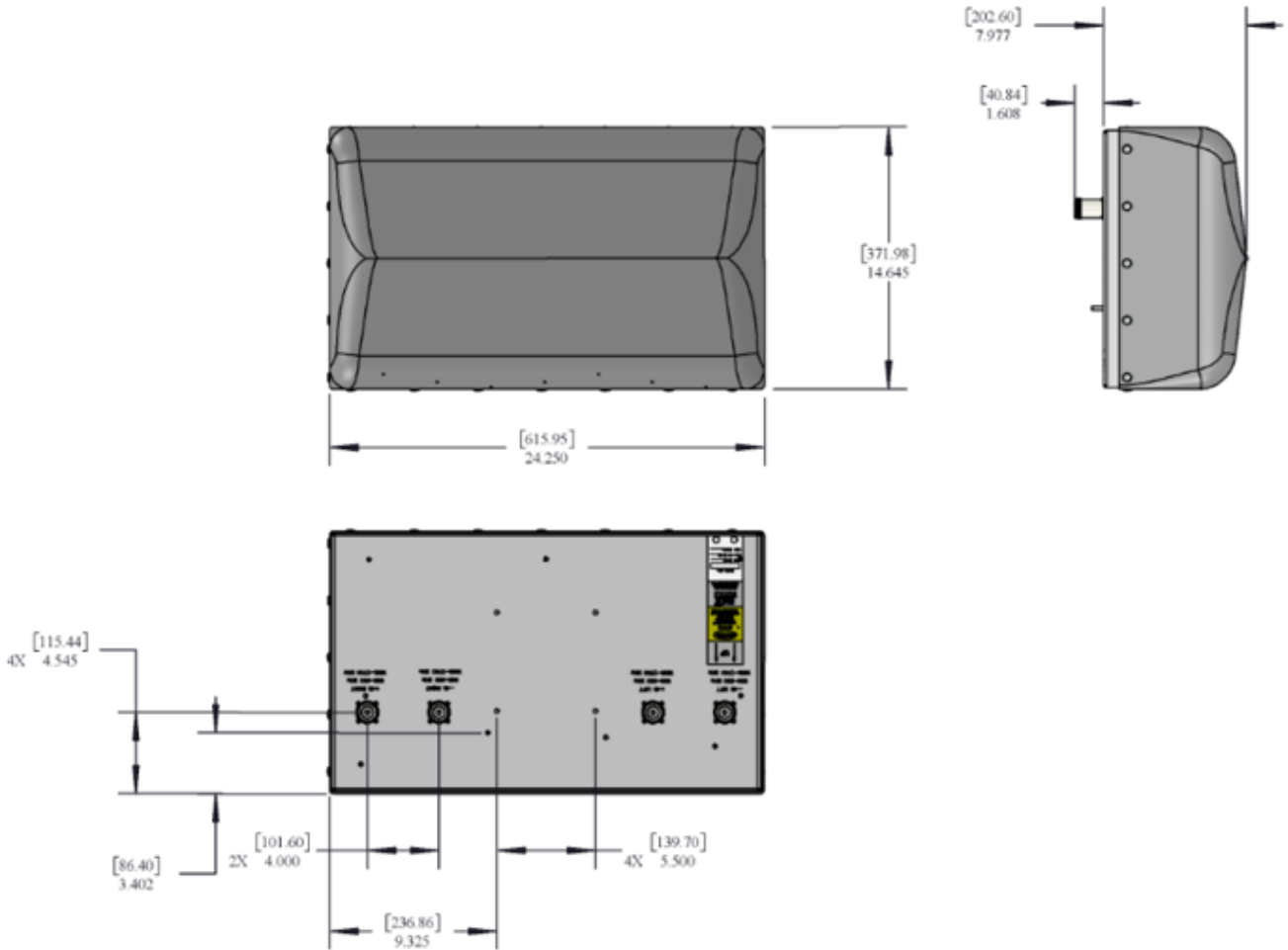
Mechanical specifications

Dimensions, length/width/depth	14.6/24.3/7.1 in (372.0/616.0/180.6 mm)
Connector (quantity) type	(4 or 8) 7-16 DIN Female
Connector torque	220-265 lbf·in (23-30 Nm)
Connector location	Back
Antenna weight	15.0 lb (6.8 kg)
Bracket weight	5.0 lb (2.3 kg)
Standard bracket kit	P/N 919050 (Included)
Mechanical down tilt range	+/- 35° Lateral & +/- 55° Vertical
Radome material	High Strength Luran, UV Stabilized, ASTM D1925
Wind survival	120 mph (193 km/h)
Front wind load @ 100 mph	59.4 lbf (264.3 N) @100 mph
Equivalent flat plate @ 100 mph	1.18 sq ft (c=2) @ 100 mph

Order information

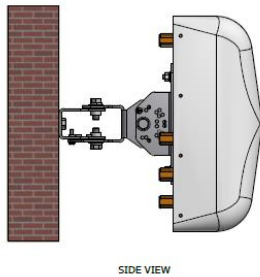
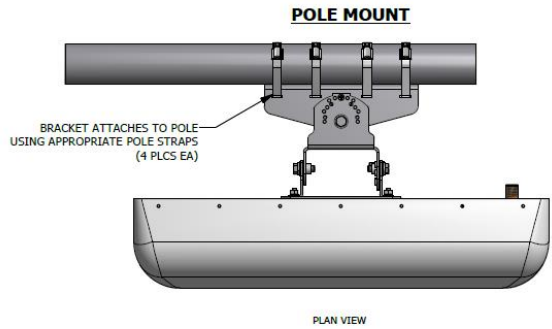
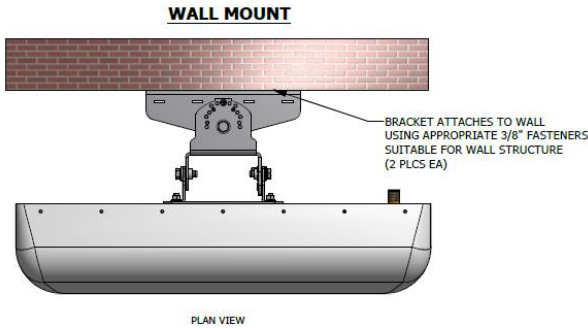
Model	Description
XGU-MB-134-I	X-Pol dual band, 0° electrical downtilt with four (4) DIN connectors, w/ internal duplexers
919055	Optional inverted mounting kit for 4.0-10.0 in. OD pole.
91900313	Optional bracket kit for extended horizontal and vertical tilt ranges.

Mechanical Outline Drawing, XGU-MB-134-I (diplexed)



Examples of standard stadium bracket kit 919050 installation

Note: For mounting details, refer to installation drawing, P/N 919050, on the JMA website Antenna Matrix.



Note: If the bracket is used in applications that provide additional tilt to the antenna (e.g. slanted poles, upside down hanging, etc.), different weep holes may be required. Please consult our weep hole guide at jmawireless.com/support.

