

XGU-FRO-128

Antenna Systems Group

<p>X-pol Dual Band Antenna, 698-960/1695-2700 MHz</p> <p>24", 28° horizontal beamwidth</p> <p>Fixed E-tilt</p> <ul style="list-style-type: none"> • Fast Roll-Off (FRO) improves intra- and inter-cell SINR • Separate housing and reflector construction optimizes RF performance while maximizing mechanical strength • Good passive intermodulation (PIM) performance reduces harmful interference • Optional integrated diplexers minimizes cabling costs and improves aesthetics • Included multi-position stadium bracket accommodates most mounting surfaces • Suitable for LTE/CDMA/UMTS/GSM/WCS/WiMax/ neutral host 	
--	--

Includes integrated diplexers

Reduces mainline cables

Eliminates external tower devices

ELECTRICAL SPECIFICATIONS						
Frequency band, MHz	698-745	746-896	897-960	1695-2180	2181-2360	2496-2700
Horizontal beamwidth, 3 dB points† (average)	33°	31°	29°	31°	25°	25°
Gain, dBi (average)	10.5	10.5	10.6	12.3	12.5	13.0
Vertical beamwidth, 3dB points (average)	66°	63°	60°	60°	42°	42°
Azimuth sidelobe suppression, typical, dB	>18	>18	>18	>18	>18	>18
VSWR / return loss, dB, maximum	1.7/11.7	1.5/14.0	1.7/11.7	1.5/14.0	1.7/11.7	1.7/11.7
Polarization	+/-45°			+/-45°		
Electrical down tilt, fixed	0°			0°		
Isolation between ports, dB, minimum	>28			>28		
Intermodulation (2 x 20 w), IM3, dBc, maximum	-153			-153		
Impedance, ohms	50			50		
Maximum power per connector, CW (w)	250 @ 800 MHz			125 @ 1900 MHz		

†Beamwidth refers to antenna in orientation shown on this page. Upright installation will reverse H/V beamwidths.

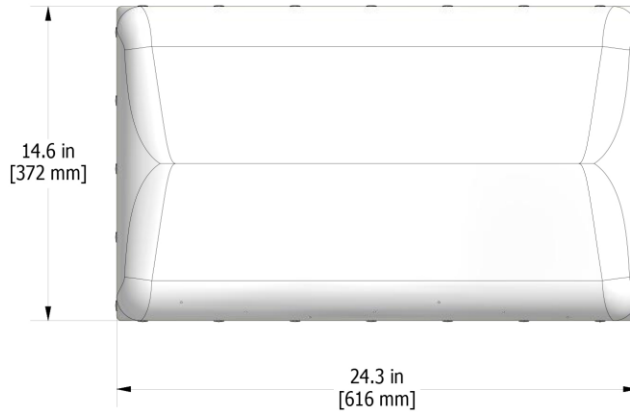
MECHANICAL SPECIFICATIONS

Dimensions, length/width/depth	14.6/24.3/7.9 in. (372/616/200 mm)
Connector (quantity) type	(2) 7-16 DIN female for diplexed and (4) 7-16 DIN female for non-diplexed
Connector torque	220-265 lbf·in (23-30 N·m)
Connector location	Back
Antenna weight	7.0 lb (3.2 kg)
Bracket weight	5.0 lb (2.3 kg)
Standard bracket kit	P/N 919050 (included)
Mechanical down tilt range	+/- 25° lateral (azimuth adjustment) and +/- 55° vertical (up/down tilt)
Radome material	High-strength Luran®, UV stabilized, ASTM D1925
Wind survival	120 mph (193 km/h)
Front wind load @ 100mph	60.8 lbf (270.4 N)
Equivalent flat plate @ 100mph	1.22 sq ft (c=2)

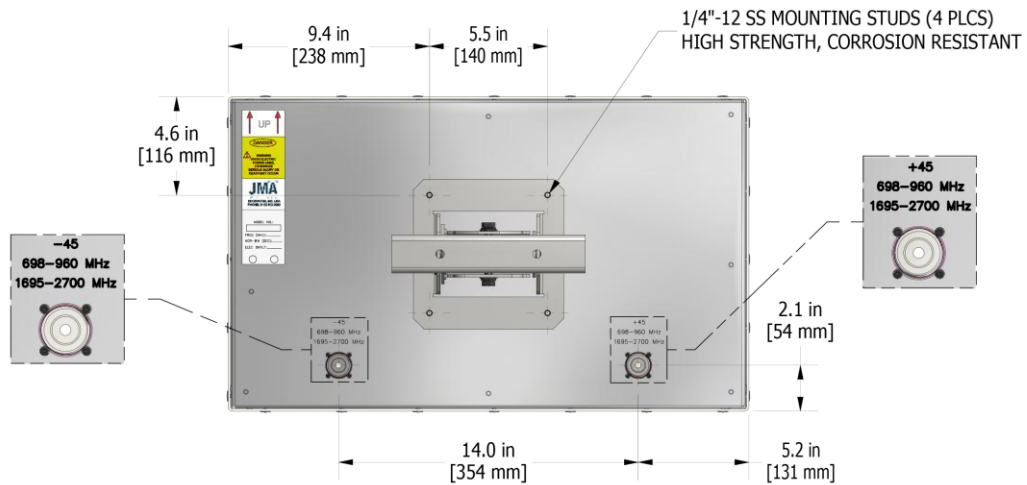
ORDER INFORMATION

MODEL	DESCRIPTION
XGU-FRO-128-I	2F X-pol LB/HB 28° 0°/0° EDT with internal diplexer and 2 DIN connectors
XGU-FRO-128	2F X-pol LB/HB 28° 0°/0° EDT with 4 DIN connectors
919055	Optional inverted mounting kit for 4.0-10.0 in. OD pole.
91900313	Optional bracket kit for extended horizontal and vertical tilt ranges.

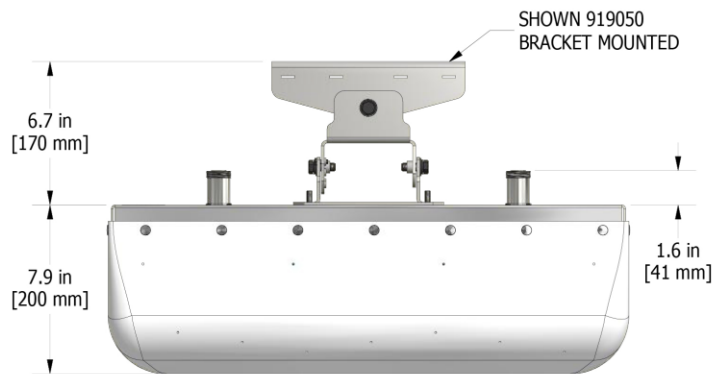
Mechanical Outline Drawing: XGU-FRO-128-I (internally diplexed)



FRONT VIEW

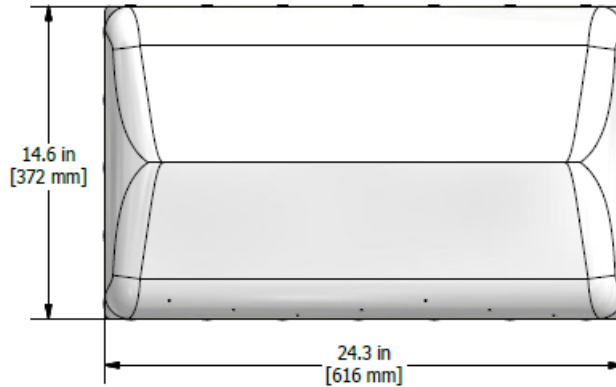


BACK VIEW

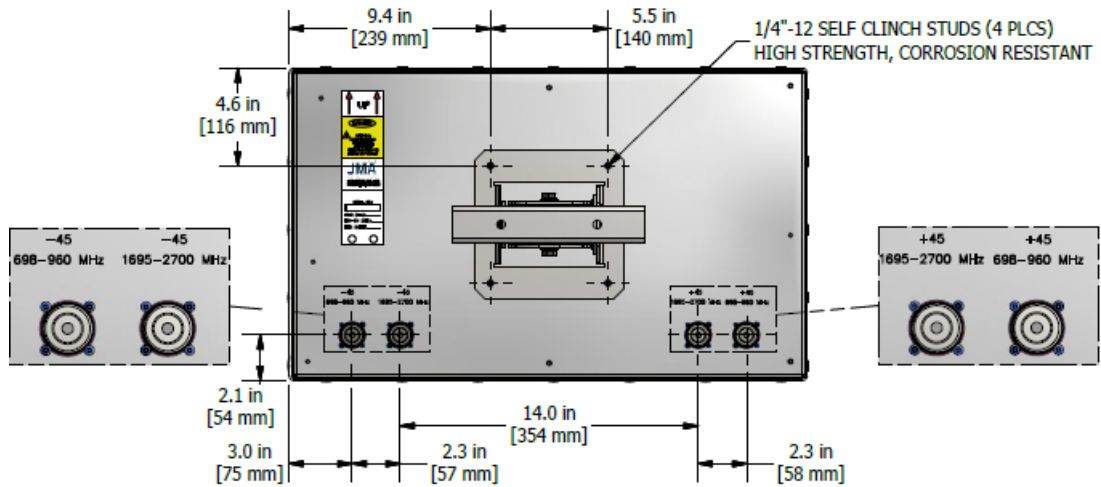


BOTTOM VIEW

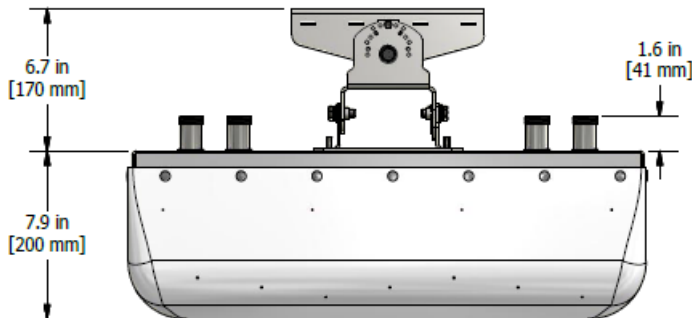
Mechanical Outline Drawing: XGU-FRO-128 (non-diplexed)



FRONT VIEW



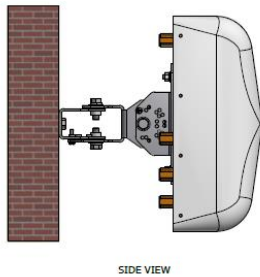
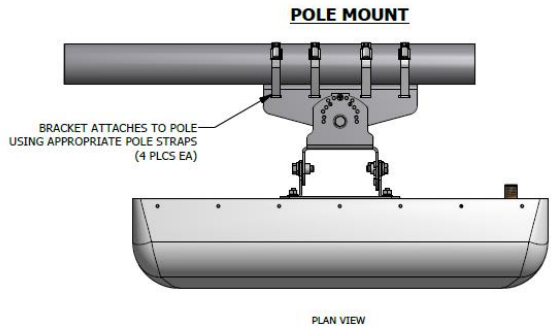
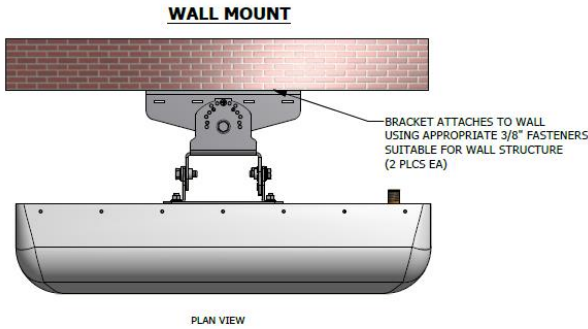
BACK VIEW



BOTTOM VIEW

Examples of standard stadium bracket kit 919050 installation

Note: For mounting details, refer to installation drawing, P/N 919050, on the JMA website Antenna Matrix.



Note: If the bracket is used in applications that provide additional tilt to the antenna (e.g. slanted poles, upside down hanging, etc.), different weep holes may be required. Please consult our weep hole guide at jmawireless.com/support.

