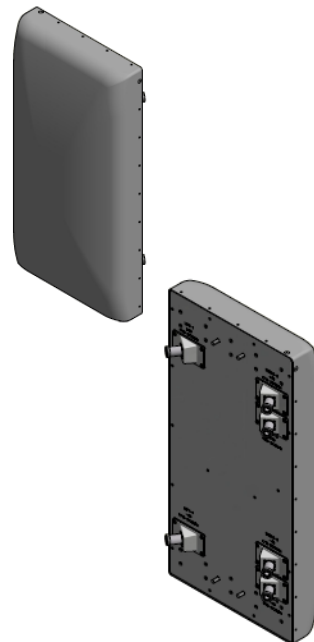


## XAP-TB-322

X-Pol Antenna, 1710-2170 MHz, 36", 22° Azimuth, 3 Beam Antenna

- Special Event Antenna
- 3 Beam Array
- Deep Nulls Between Beams
- Low Side Lobes



### ELECTRICAL SPECIFICATIONS

Frequency Band, MHz	1710-1850	1850-1990	1990-2170
Horizontal Beamwidth, 3dB points	22°	21°	20°
Gain, dBi	20.3	20.8	21.0
Vertical Beamwidth, 3dB points	11.2°	10.4°	9.7°
Front-to-Back at 180°, dB	30	30	30
Polarization	+/-45°		
Electrical Downtilt	0°		
VSWR/Return Loss, dB, Maximum	1.7:1/-11.7dB		
Intermodulation (2x20w), IM3, dBc, Maximum	-150		
Impedance, ohms	50		
Maximum Power Per Connector, CW (w)	200		
Lightning Protection	DC Ground		

## MECHANICAL SPECIFICATIONS

Dimensions, Length/Width/Depth	36.0/18.0/6.9in (914/457/176 mm)
Connector (Quantity) Type	(6) 7-16 DIN Female
Connector Torque	220-265 lbf-in (23-30 N-m)
Connector Location	Back
Antenna Weight	27.0 lb (12.2 kg)
Bracket Weight	15.2 lb (7 kg)
Standard Bracket Kit	919058
Mechanical Downtilt Range	0-6°
Radome Material	Polyester Fibreglass
Wind Survival	140 mph (225 km/h)
Front Wind Load	106.13 lbf (471.5 N) @100mph
Equivalent Flat Plate	2.2 sq-ft (c=2) @ 100mph

## ORDER INFORMATION

MODEL	DESCRIPTION
XAP-TB-322-0	3 Beam 1710-2170 MHz, X-Pole Antenna

### Mechanical Outline Drawing

