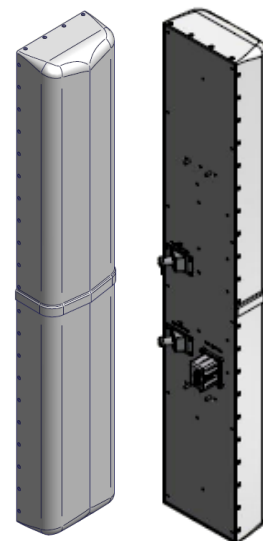


XAP-FRO-640-V

X-Polarization, 1710-2170MHz, 72", Fast Roll Off, 40° Azimuth
RET

- Macro Cell Antenna
- Fast Roll Off
- Suitable for LTE/CDMA/UMTS/GSM
- AISG v2.0 RET Control



ELECTRICAL SPECIFICATIONS

Frequency Band, MHz	1710-1880	1850-1990	1920-2170
Horizontal Beamwidth, 3dB points	40°	39°	36°
Gain, dBi	19.9	19.3	19.8
Vertical Beamwidth, 3dB points	6.8°	6.9°	6.6°
Front-to-Back at 180°, dB	> 30		
Upper Sidelobe Suppression, Typical, dB	< -18		
Azimuth Sidelobe Suppression, Typical, dB	< -18		
Polarization	+/- 45°		
Electrical Downtilt (See Order Information)	0°-6° or 4°-10°		
VSWR/Return Loss, dB, Maximum	1.5:1/-14.0		
Isolation Between Ports, dB, Minimum	> 28		
Intermodulation (2x20w), IM3, dBc, Maximum	-150		
Impedance, ohms	50		
Maximum Power Per Connector, CW (w)	250		

MECHANICAL SPECIFICATIONS

Dimensions, Length/Width/Depth	72.0/12.5/7.3 in (1829/318/180 mm)
Connector (Quantity) Type	(2) 7-16 DIN Female
Connector Torque	220-265 lbf-in (23-30 N-m)
Connector Location	Back
Antenna Weight	19.8 lbs (8.9 kg)
Bracket Weight	13.2 lb (6.0 kg)
Standard Bracket Kit	919011 (Included)
Mechanical Downtilt Range	0-12°
Radome Material	High Strength Luran, UV Stabilized, ASTM D1925
Wind Survival	150 mph (241 km/h)
Front Wind Load	181.2 lbf (806 N) @100mph
Equivalent Flat Plate	3.61 sq-ft (c=2) @ 100mph

RET INFORMATION

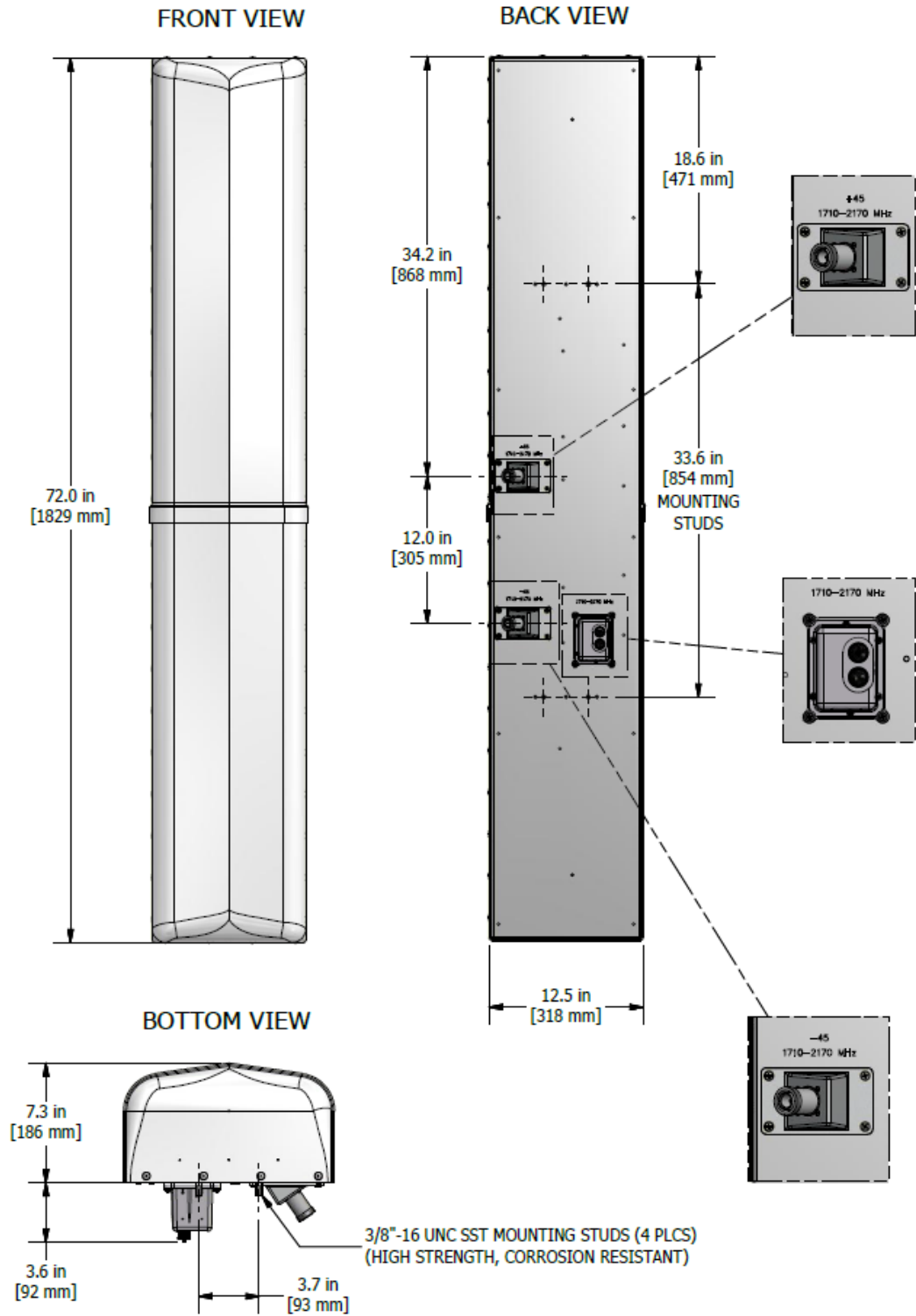
Model	CSS-RET-200
Mounting Location	Rear of Antenna
Weight	1.2 lb (0.54 kg)
Communication Standard	AISG 2.0
Control System	CSS-PCU-220



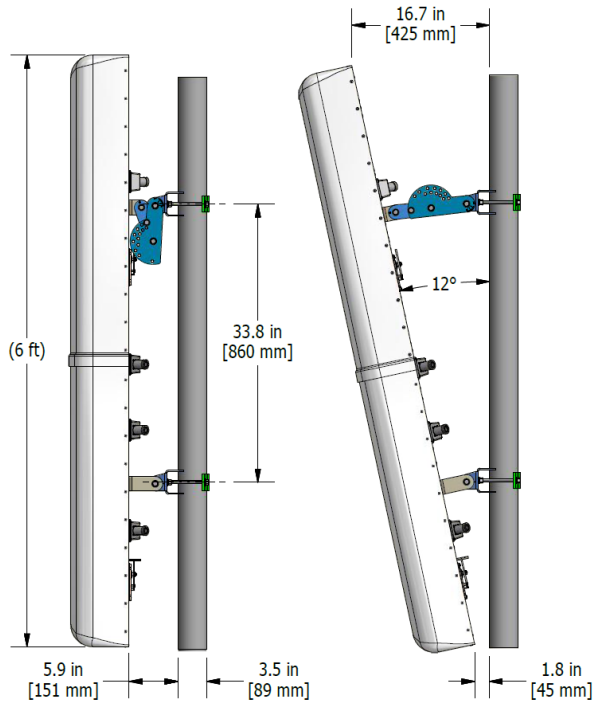
ORDER INFORMATION

MODEL	DESCRIPTION
XAP-FRO-640-VR0	X-Pol antenna with motor for remote electrical tilt (RET) range of 0-6°
XAP-FRO-640-VR4	X-Pol antenna with motor for remote electrical tilt (RET) range of 4-10°
919036	Optional Bracket Kit, 2-Point, 12deg D-tilt, For 4.5" OD Pole

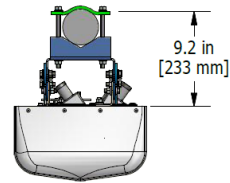
Mechanical Outline Drawing: RET Version



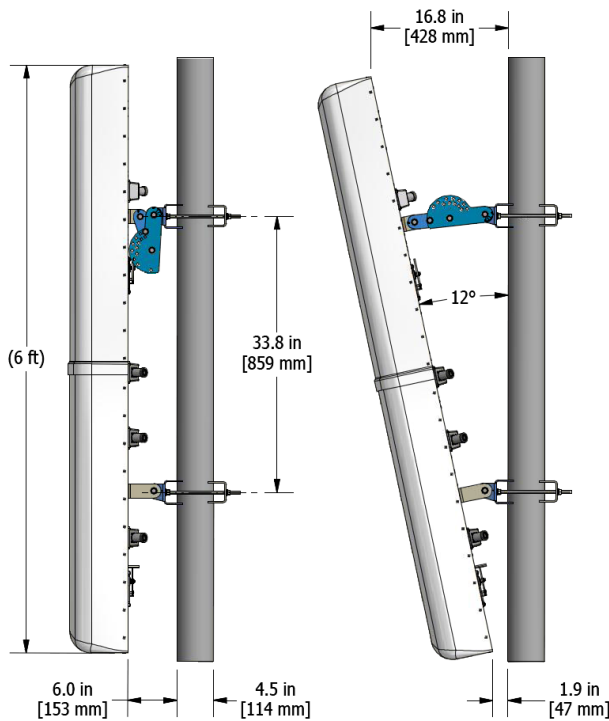
Standard Bracket Kit



CSS P/N: 919011 BRACKET KIT
 2 POINT, 12 DEGREE DOWN TILT
 SHOWN MOUNTED ON 3.5" O.D. POLE
 3.5" O.D. MAX POLE SIZE



Optional Bracket Kit



CSS P/N: 919036 BRACKET KIT
 2 POINT, 12 DEGREE DOWN TILT
 SHOWN MOUNTED ON 4.5" O.D. POLE
 4.5" O.D. MAX POLE SIZE

