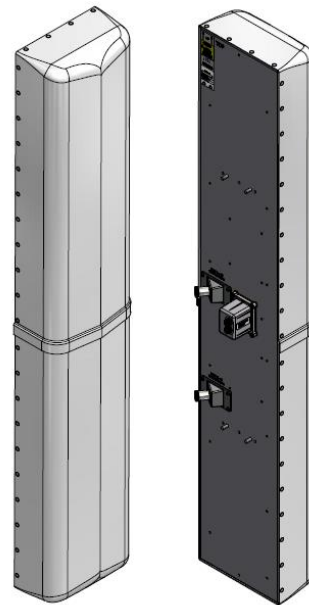


## XAP-FRO-633-V

X-Pol Antenna, 1710-2170MHz, 72", 33° Azimuth RET

- Broad Band Radiator
- Macro Cell High Gain antenna
- Suitable for LTE/CDMA/UMTS/GSM
- AISG v2.0 RET Tilt Control



## ELECTRICAL SPECIFICATIONS

Frequency Band, MHz	1710-1880	1850-1990	1920-2170
Horizontal Beamwidth, 3dB points	36°	33°	30°
Gain, dBi	20.1	20.7	20.7
Vertical Beamwidth, 3dB points	6.2°	5.7°	5.7°
Front-to-Back at 180°, dB		> 28	
Upper Sidelobe Suppression, Typical, dB		< -18	
Polarization		+/- 45°	
Electrical Downtilt (See Order information)		0°-6° or 4°-10°	
VSWR/Return Loss, dB, Maximum		1.5:1/-14.0	
Isolation Between Ports, dB, Minimum		> 28	
Intermodulation (2x20w), IM3, dBc, Maximum		-150	
Impedance, ohms		50	
Maximum Power Per Connector, CW (w)		250	

## MECHANICAL SPECIFICATIONS

Dimensions, Length/Width/Depth	72.0/12.5/7.2 inch (1829/318/180 mm)
Connector (Quantity) Type	(2) 7-16 DIN Female
Connector Torque	265 lbf-in (30 N-m)
Connector Location	Back
Antenna Weight	Estimated 32 lbs (14.5 kg)
Bracket Weight	13.2 lb (6.0 kg)
Standard Bracket Kit	919011 (Included)
Mechanical Downtilt Range	0-12°
Radome Material	High Strength Luran, UV Stabilized, ASTM D1925
Wind Survival	150 mph (241 km/h)
Front Wind Load	181.3 lbf (806.7 N) @100mph
Equivalent Flat Plate	3.61 sq-ft (c=2) @ 100mph

## RET INFORMATION

Model	RET-200
Mounting Location	Rear of Antenna
Weight	1.2 lb (0.54 kg)
Communication Standard	AISG 2.0
Control System	PCU-220



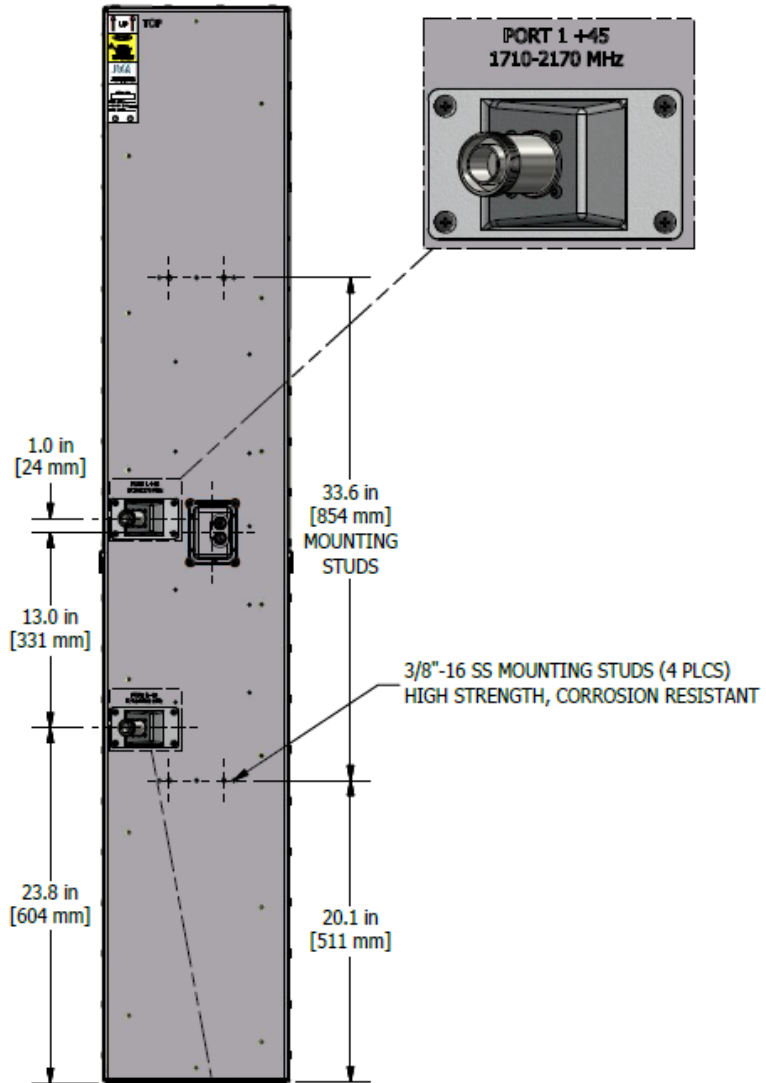
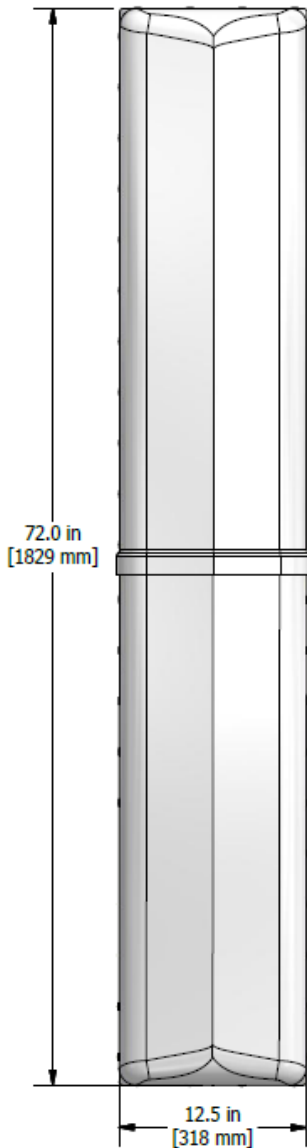
## ORDER INFORMATION

MODEL	DESCRIPTION
XAP-FRO-633-VR0	6' X-Pol HB,FRO,33° with 0-6° EDT
XAP-FRO-633-VR4	6' X-Pol HB,FRO,33° with 4-10° EDT
919036	Optional Bracket kit, 2 point 12 Degree, 4.5" OD Pole

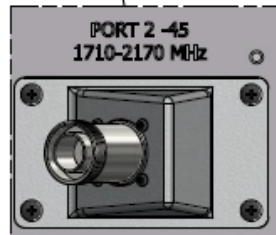
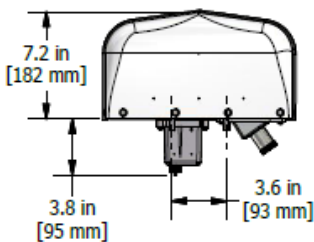
### Mechanical Outline Drawing

FRONT VIEW

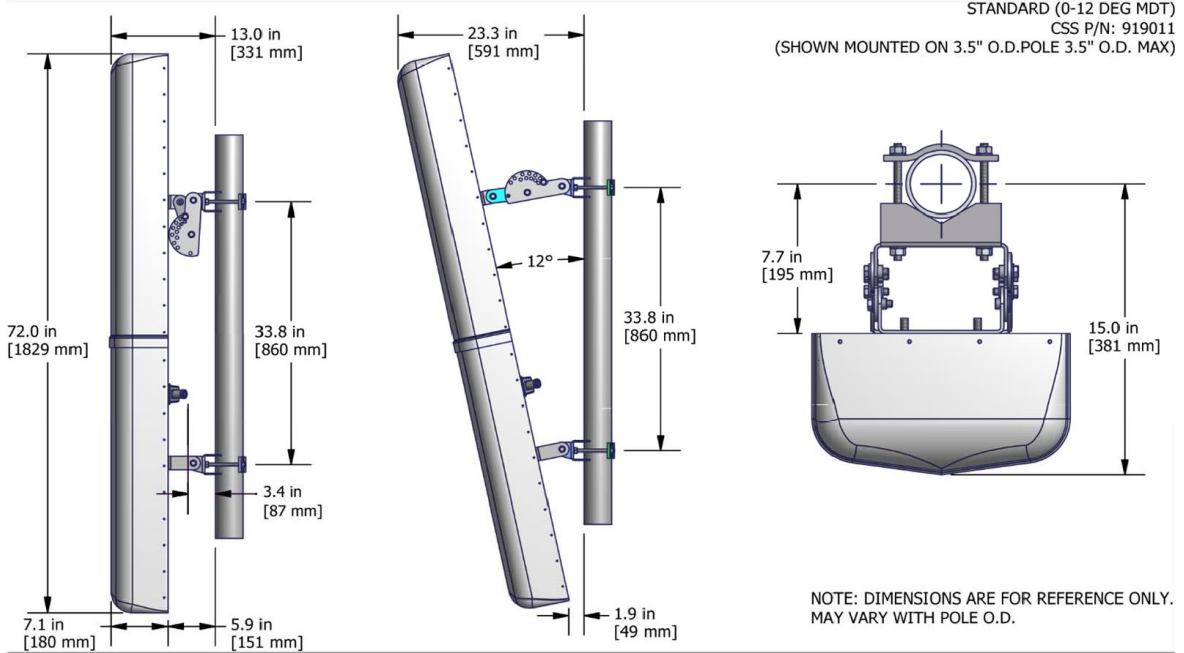
BACK VIEW



BOTTOM VIEW



### Standard Bracket Kit



### Optional Bracket Kit

