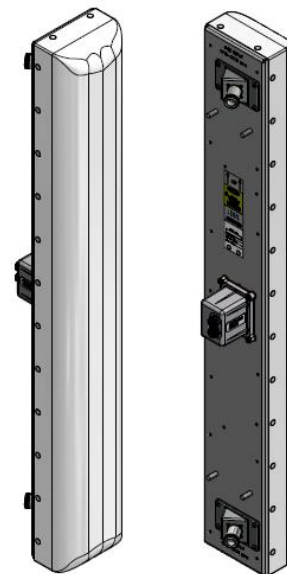


XAP-FRO-460-V

X-Polarization, 1710-2170MHz, 48", Fast Roll Off, 60° H-Beam
RET

- Macro Cell Antenna
- Fast Roll Off
- Suitable for LTE/CDMA/UMTS/GSM
- AISG v2.0 RET Control



ELECTRICAL SPECIFICATIONS

Frequency Band, MHz	1710-1880	1850-1990	1990-2170
Horizontal Beamwidth, 3dB points	60°	57°	53°
Gain, dBi	16.9	16.9	16.9
Vertical Beamwidth, 3dB points	7.2°	7.0°	6.8°
Front-to-Back at 180°, dB	> 26		
Upper Sidelobe Suppression, Typical, dB	< -18		
Polarization	+/-45°		
Electrical Downtilt (See Order information)	0°-6° or 4°-10°		
VSWR/Return Loss, dB, Maximum	1.5:1/-14.0		
Isolation Between Ports, dB, Minimum	> 28		
Intermodulation (2x20w), IM3, dBc, Maximum	-150		
Impedance, ohms	50		
Maximum Power Per Connector, CW (w)	250		

MECHANICAL SPECIFICATIONS

Dimensions, Length/Width/Depth	48.0/6.7/4.5 in (1219/170/114 mm)
Connector (Quantity) Type	(2) 7-16 DIN Female
Connector Torque	220-265 lbf-in (23-30 N-m)
Connector Location	Back
Antenna Weight	12.0 lbs (5.4 kg) ESTIMATED
Bracket Weight	13.2 lb (6.0 kg)
Standard Bracket Kit	Part # 919011 (Included)
Mechanical Downtilt Range	0-12°
Radome Material	High Strength Luran, UV Stabilized, ASTM D1925
Wind Survival	150 mph (241 km/h)
Front Wind Load	64.7 lbf (288 N) @100mph
Equivalent Flat Plate	1.29 sq-ft (c=2) @ 100mph

RET INFORMATION

Model	RET-200
Mounting Location	Rear of Antenna
Weight	1.2 lb (0.54 kg)
Communication Standard	AISG 2.0
Control System	PCU-220



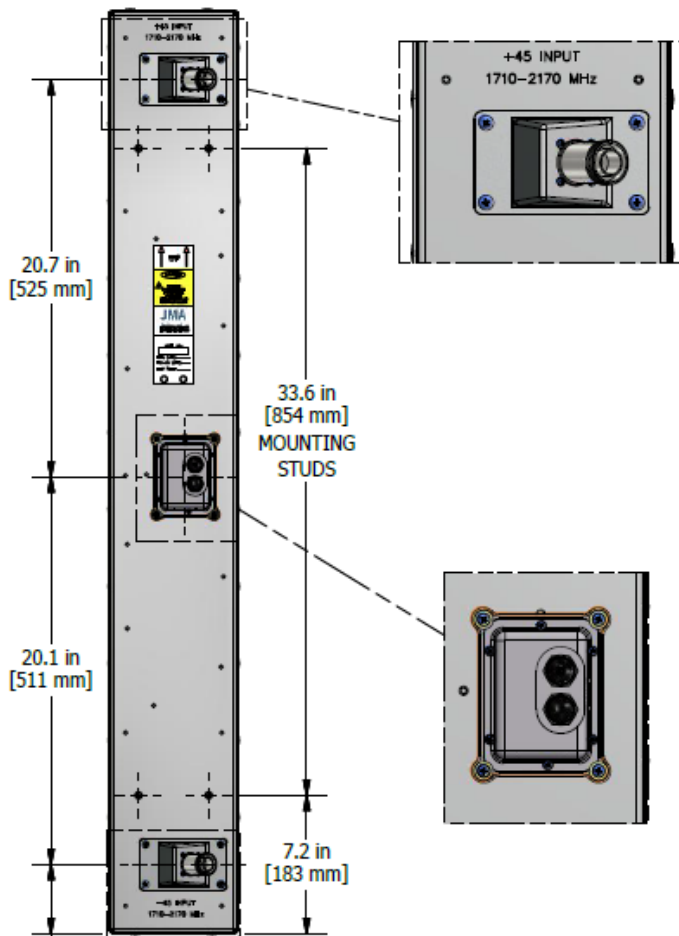
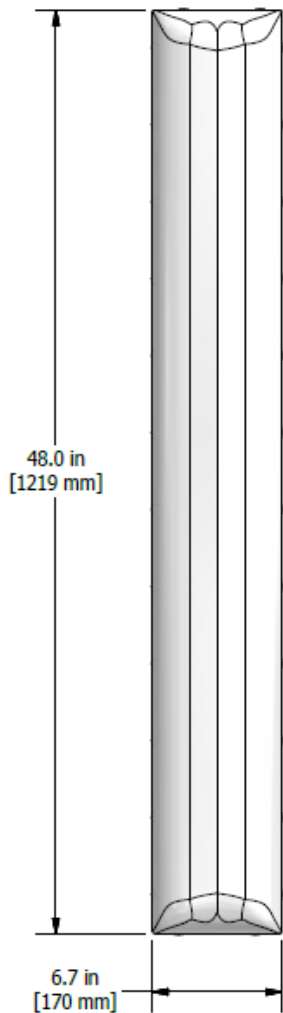
ORDER INFORMATION

MODEL	DESCRIPTION
XAP-FRO-460-VR0	X-Pol antenna with motor for remote electrical tilt (RET) range of 0-6°
XAP-FRO-460-VR4	X-Pol antenna with motor for remote electrical tilt (RET) range of 4-10°
919036	Optional Bracket Kit, 2-Point, 12deg D-tilt, For 4.5" OD Pole

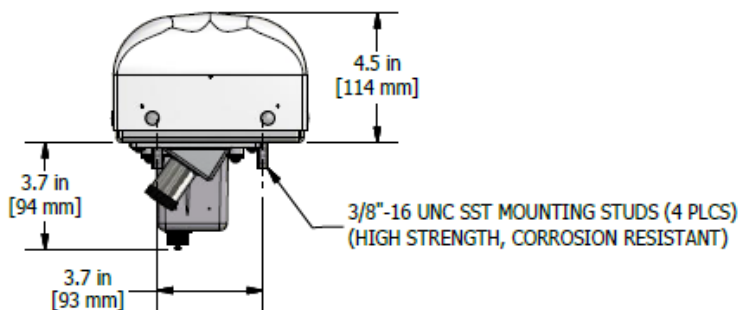
Mechanical Outline Drawing: RET Version

FRONT VIEW

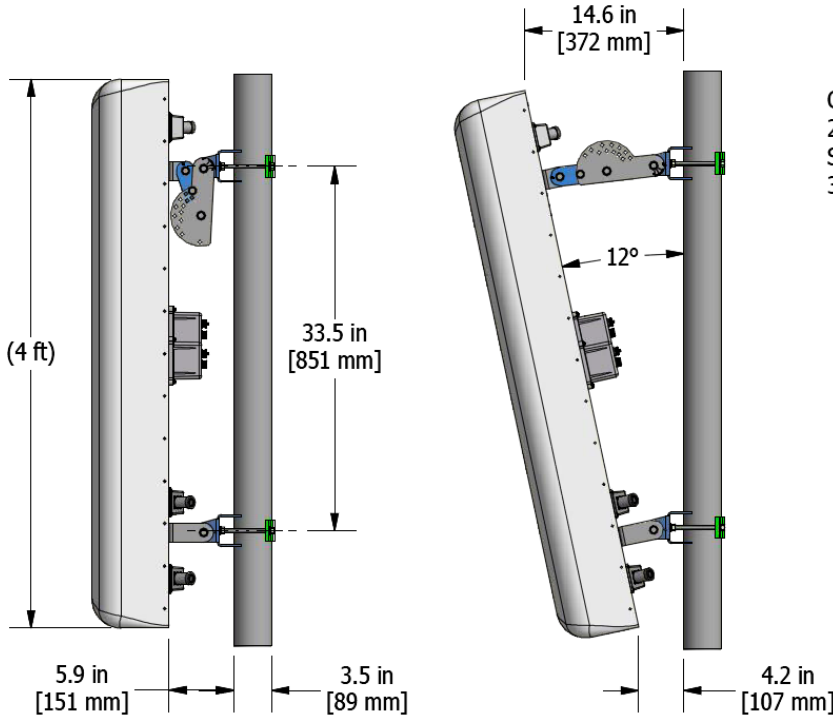
BACK VIEW



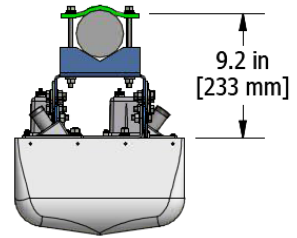
BOTTOM VIEW



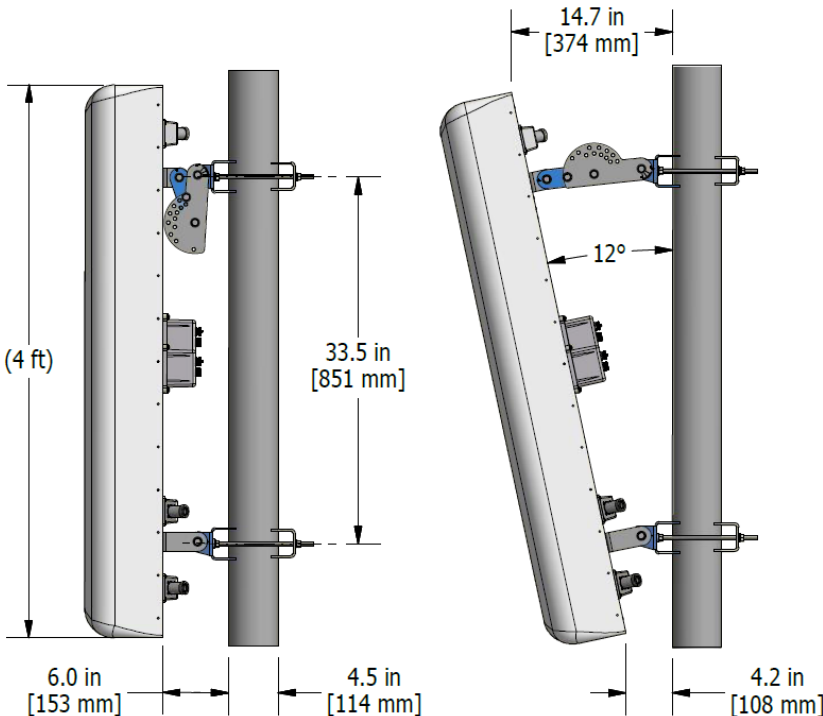
Standard Bracket Kit



CSS P/N: 919011 BRACKET KIT
 2 POINT, 12 DEGREE DOWN TILT
 SHOWN MOUNTED ON 3.5" O.D. POLE
 3.5" O.D. MAX POLE SIZE



Optional Bracket Kit



CSS P/N: 919036 BRACKET KIT
 2 POINT, 12 DEGREE DOWN TILT
 SHOWN MOUNTED ON 4.5" O.D. POLE
 4.5" O.D. MAX POLE SIZE

