

XAP-FRO-440-V

+/- 45° Polarization, 1695-2180 MHz Antenna, 50.5" Length, Fast Roll Off 40° Horizontal Pattern, Variable E-Tilt

- Fast Roll Off (FRO) improves Intra and Inter-cell SINR
- Separate housing and reflector construction optimizes RF performance while maximizing mechanical strength
- Good Passive Intermodulation (PIM) performance reduces harmful interference
- Independent tilt per array
- Suitable for LTE/CDMA/UMTS/GSM
- AISG 2.0 RET Tilt Control



ELECTRICAL SPECIFICATIONS

Frequency Band, MHz	1695-1850	1850-1990	1990-2180
Horizontal Beamwidth, 3dB points	41°	39°	37°
Gain, dBi	18.6	18.5	18.5
Vertical Beamwidth, 3dB points	7.2°	6.8°	6.6°
Front-to-Back at 180°, dB	> 28		
Upper Sidelobe Suppression, Typical, dB	<-18		
Azimuth Sidelobe Suppression, Typical, dB	<-18		
Polarization	+/-45°		
Electrical Downtilt (See Order Information)	0°-6° or 4°-10°		
VSWR/Return Loss, dB, Maximum	1.5:1/-14.0		
Isolation Between Ports, dB, Minimum	> 28		
Intermodulation (2x20w), IM3, dBc, Maximum	-153		
Impedance, ohms	50		
Maximum Power Per Connector, CW (w)	250		

MECHANICAL SPECIFICATIONS

Dimensions, Length/Width/Depth	50.5/12.5/7.1 in (1282/318/180 mm)
Connector (Quantity) Type	(2) 7-16 DIN Female
Connector Torque	265 lbf-in (30 N-m)
Connector Location	Back
Antenna Weight	22.6 lb. (10.3 kg)
Bracket Weight	13.2 lb (6.0 kg)
Standard Bracket Kit	919011 (Included)
Mechanical Downtilt Range	0-12°
Radome Material	High Strength Luran, UV Stabilized, ASTM D1925
Wind Survival	150 mph (241 km/h)
Front Wind Load	127.1 lbf (565.3 N) @100mph
Equivalent Flat Plate	2.53 sq-ft (c=2) @ 100mph

RET INFORMATION

Model	RET-200
Mounting Location	Rear of Antenna
Weight	1.2 lb (0.54 kg)
Communication Standard	AISG 2.0
Control System	PCU-220

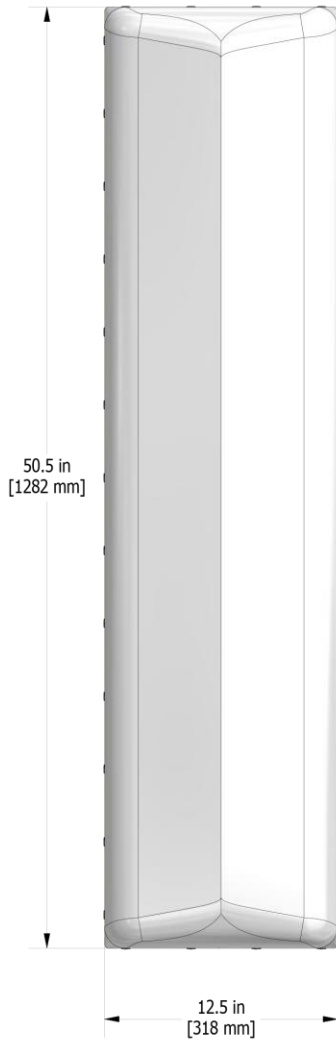


ORDER INFORMATION

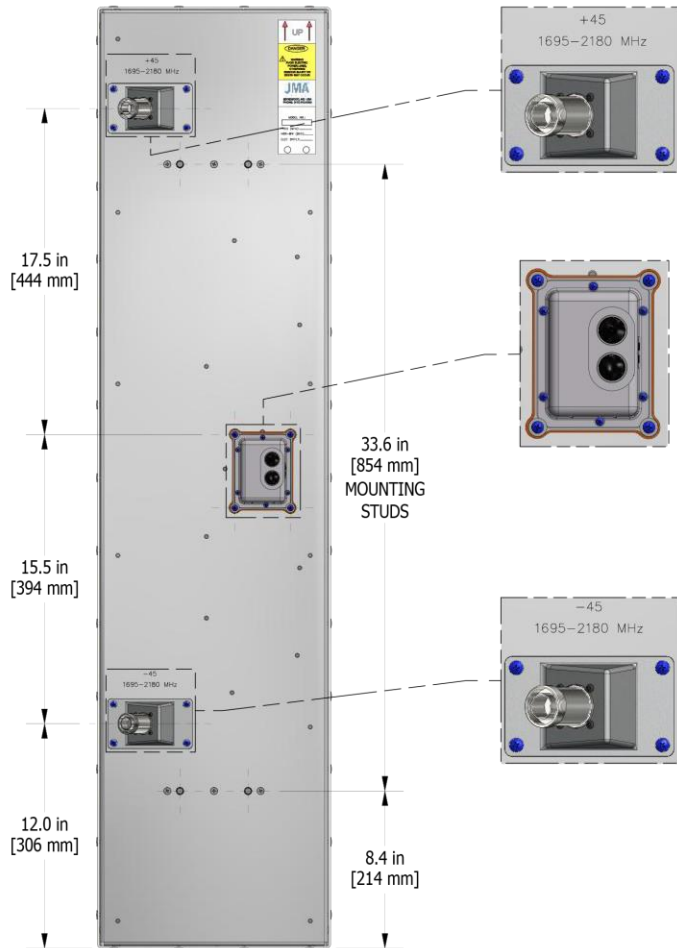
MODEL	DESCRIPTION
XAP-FRO-440-VR0	X-Pol antenna with motor for remote electrical tilt (RET) range of 0-6°
XAP-FRO-440-VR4	X-Pol antenna with motor for remote electrical tilt (RET) range of 4-10°
919036	Optional Bracket Kit, 2-Point, 12deg D-tilt, For 4.5" OD Pole

Mechanical Outline Drawing: RET Version

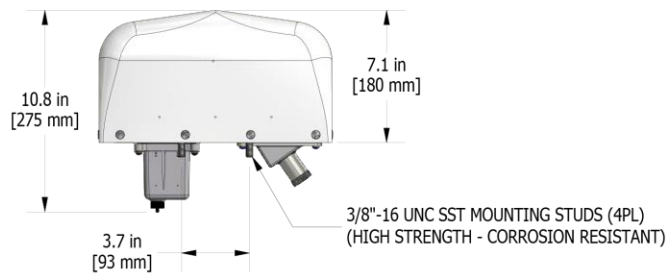
FRONT VIEW



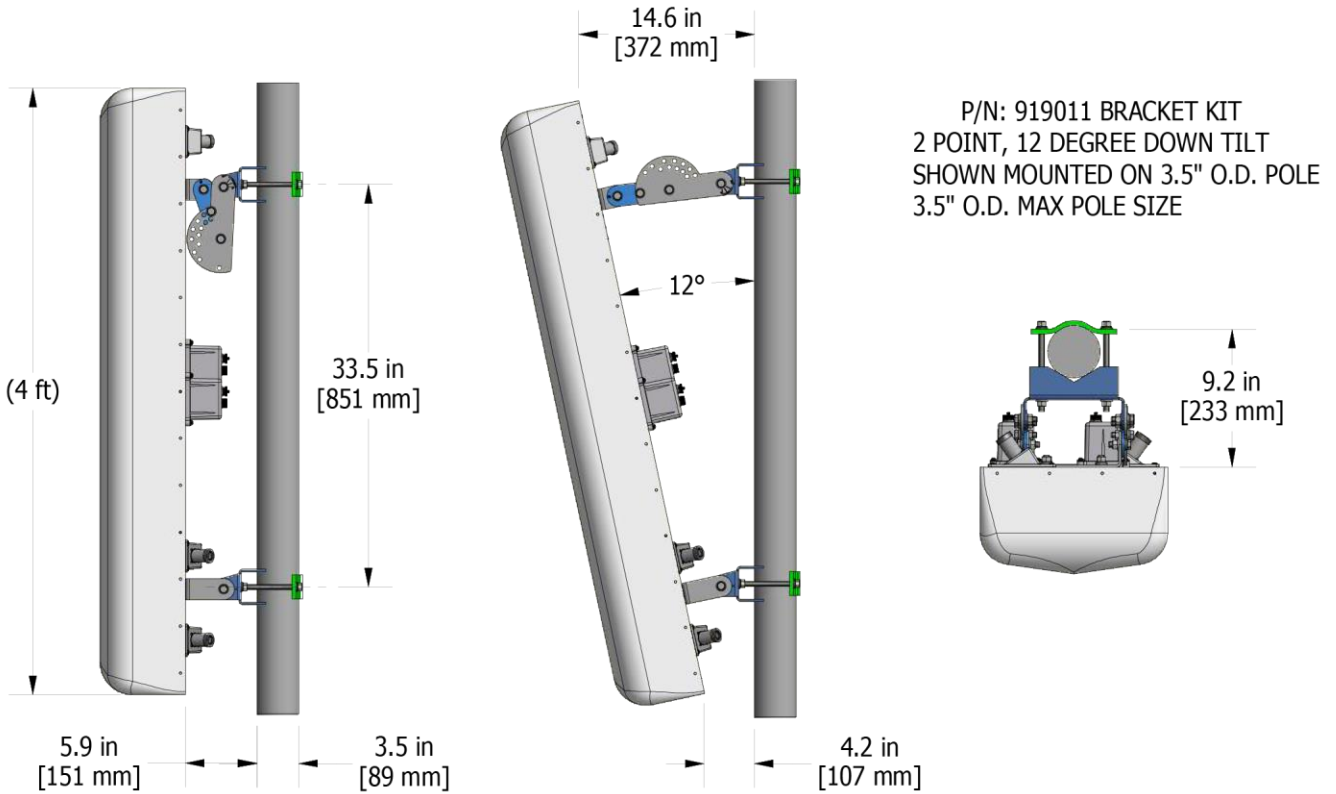
BACK VIEW



BOTTOM VIEW



Standard Bracket Kit - 919011



Optional Bracket Kit - 919036

