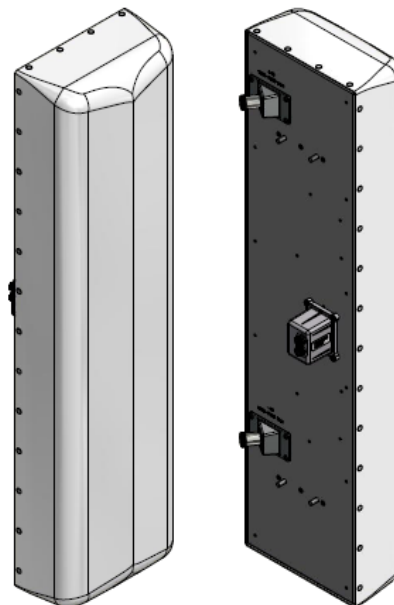


XAP-FRO-430-V

X-Polarization, 1695-2180MHz, 50.5", Fast Roll Off, 30° Azimuth

RET

- Macro Cell Antenna
- Fast Roll Off (FRO) Beams
- Suitable for LTE/CDMA/UMTS/GSM
- AISG v2.0 RET Control



ELECTRICAL SPECIFICATIONS

| Frequency Band, MHz | 1695-1880 | 1850-1990 | 1990-2180 |
|---|-----------|-----------------|-----------|
| Horizontal Beamwidth, 3dB points | 32° | 30° | 28° |
| Gain, dBi | 19.5 | 19.5 | 19.7 |
| Vertical Beamwidth, 3dB points | 7.7° | 7.6° | 7.2° |
| Front-to-Back at 180°, dB | | > 28 | |
| Upper Sidelobe Suppression, Typical, dB | | <-18 | |
| Polarization | | +/-45° | |
| Electrical Downtilt (See Order Information) | | 0°-6° or 4°-10° | |
| VSWR/Return Loss, dB, Maximum | | 1.5:1/-14.0 | |
| Isolation Between Ports, dB, Minimum | | >28 | |
| Intermodulation (2x20w), IM3, dBc, Maximum | | -150 | |
| Impedance, ohms | | 50 | |
| Maximum Power Per Connector, CW (w) | | 250 | |

MECHANICAL SPECIFICATIONS

| | |
|--------------------------------|--|
| Dimensions, Length/Width/Depth | 50.5/12.5/7.1 in (1219/318/180 mm) |
| Connector (Quantity) Type | (2) 7-16 DIN Female |
| Connector Torque | 220 - 265 lbf-in (30 N-m) |
| Connector Location | Back |
| Antenna Weight | 23.0 lb. (10.4 kg) |
| Bracket Weight | 13.2 lb. (6.0 kg) |
| Standard Bracket Kit | P/N 919011 (Included) |
| Mechanical Downtilt Range | 0-12° |
| Radome Material | High Strength Luran, UV Stabilized, ASTM D1925 |
| Wind Survival | 150 mph (241 km/h) |
| Front Wind Load | 127.1 lbf (565.3 N) @100mph |
| Equivalent Flat Plate | 2.53 sq-ft (c=2) @ 100mph |

RET INFORMATION

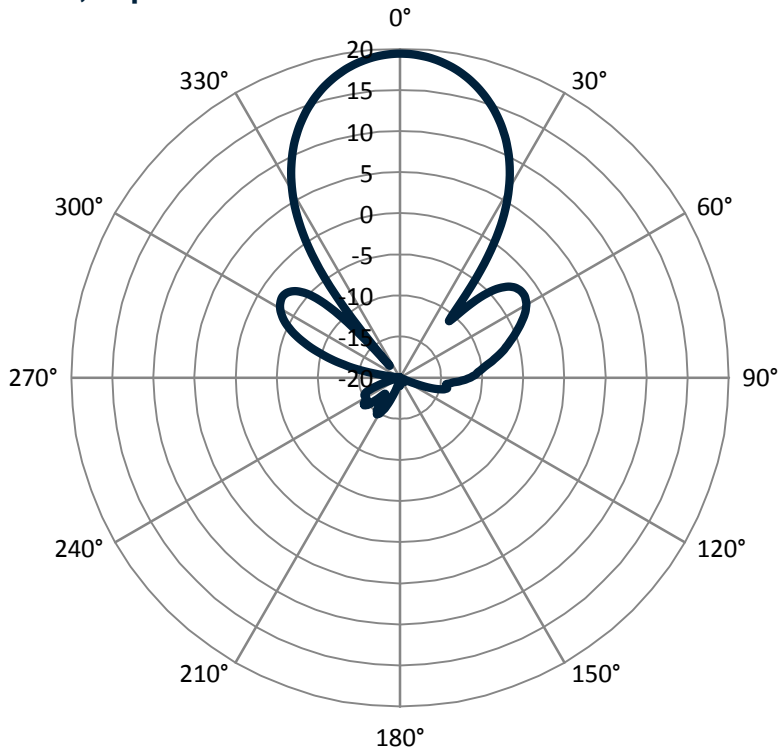
| | |
|------------------------|------------------|
| Model | CSS-RET-200 |
| Mounting Location | Rear of Antenna |
| Weight | 1.2 lb (0.54 kg) |
| Communication Standard | AISG 2.0 |
| Control System | CSS-PCU-220 |



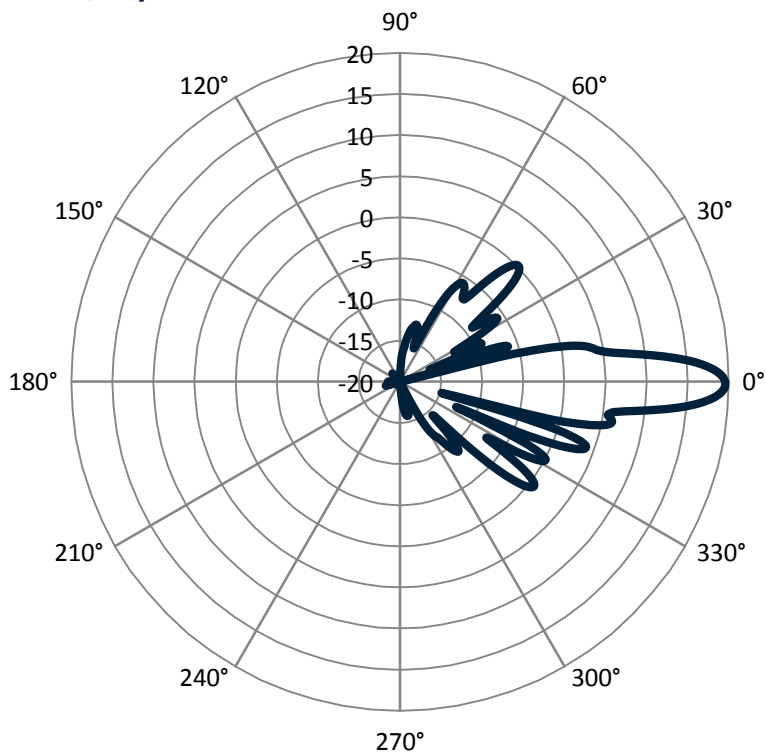
ORDER INFORMATION

| MODEL | DESCRIPTION |
|-----------------|--|
| XAP-FRO-430-VR0 | X-Pol antenna with motor for remote electrical tilt (RET) range of 0-6° |
| XAP-FRO-430-VR4 | X-Pol antenna with motor for remote electrical tilt (RET) range of 4-10° |
| 919036 | Optional Bracket Kit, 2-Point, 12deg D-tilt, For 4.5" OD Pole |

Pattern Plot: 1910MHz, H-plane

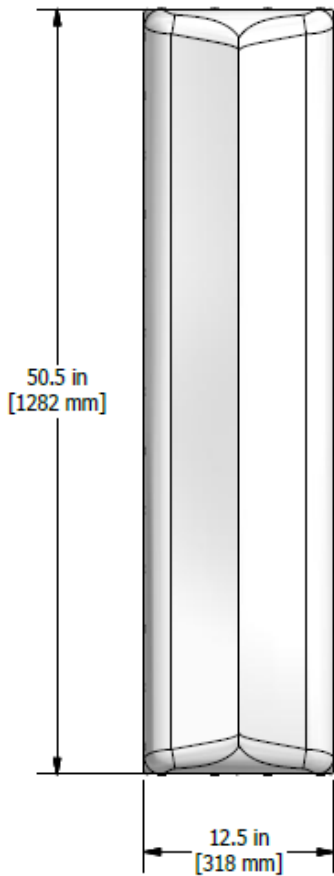


Pattern Plot: 1910MHz, E-plane

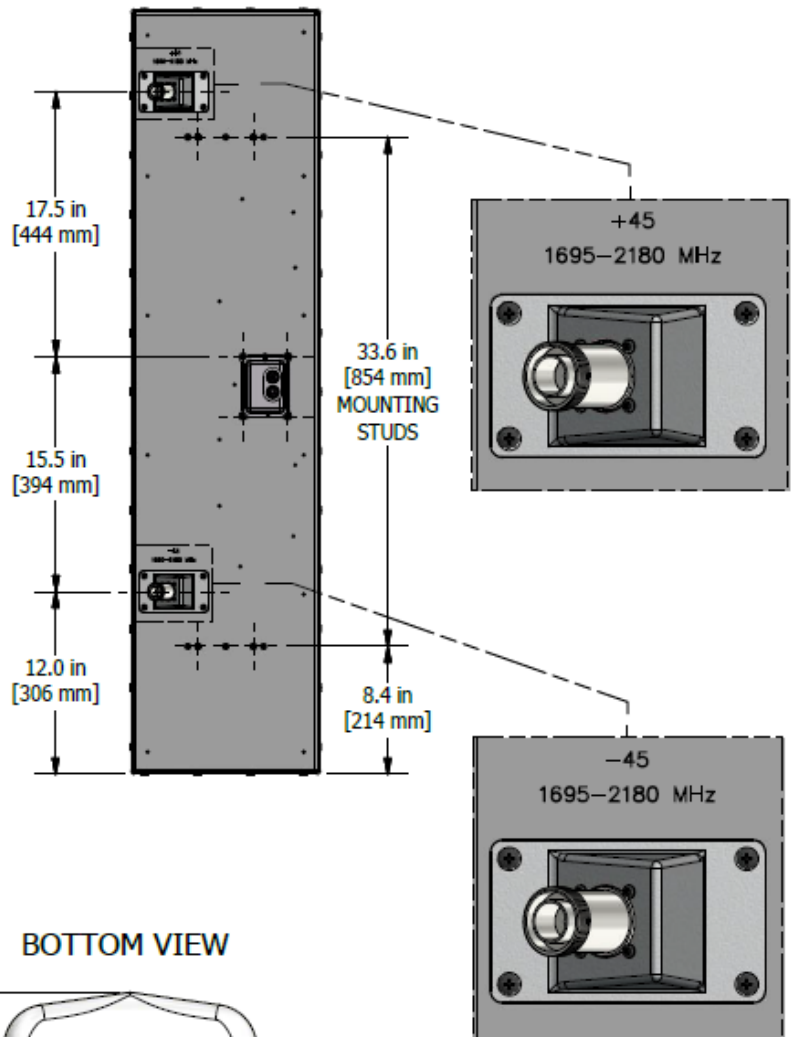


Mechanical Outline Drawing: RET Version

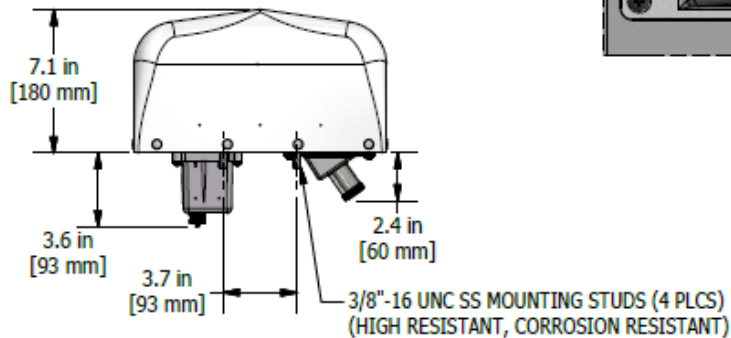
FRONT VIEW



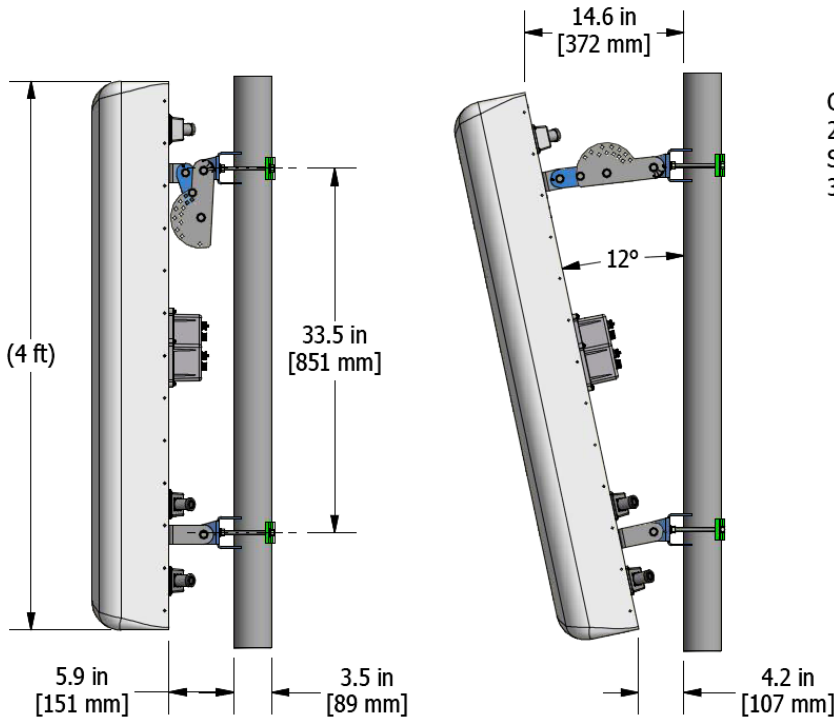
BACK VIEW



BOTTOM VIEW

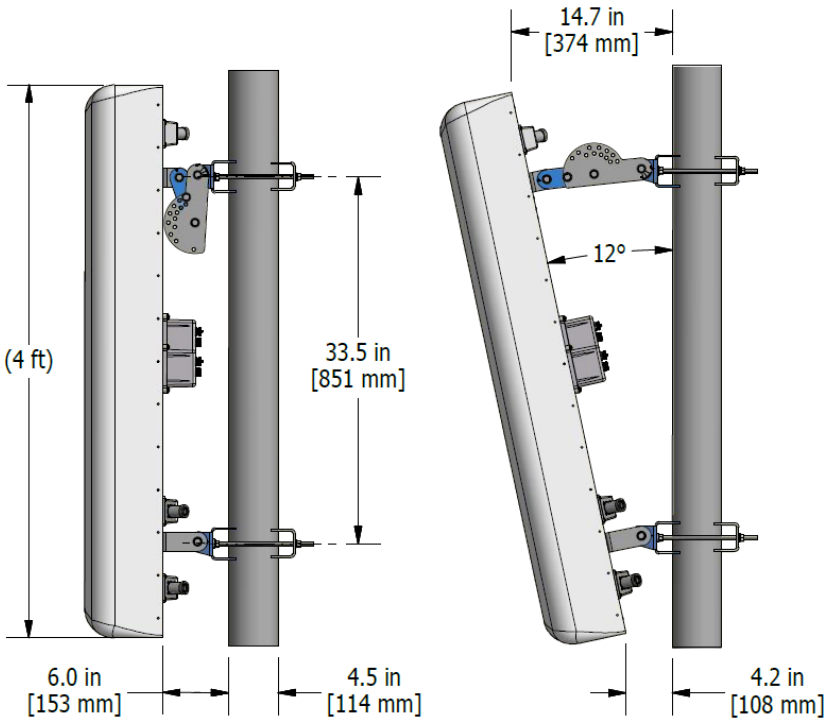


Standard Bracket Kit



CSS P/N: 919011 BRACKET KIT
 2 POINT, 12 DEGREE DOWN TILT
 SHOWN MOUNTED ON 3.5" O.D. POLE
 3.5" O.D. MAX POLE SIZE

Optional Bracket Kit



CSS P/N: 919036 BRACKET KIT
 2 POINT, 12 DEGREE DOWN TILT
 SHOWN MOUNTED ON 4.5" O.D. POLE
 4.5" O.D. MAX POLE SIZE