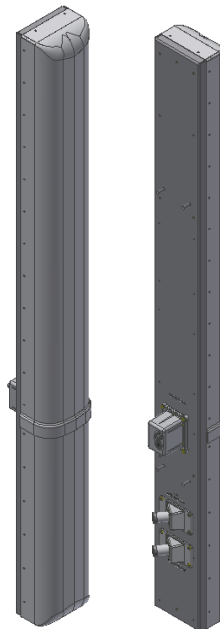


XAP-680-V

X-Polarization, 1695-2180MHz, 69.1", 80° H-Beam

RET

- Macro Cell Antenna
- Suitable for LTE/CDMA/UMTS/GSM
- AISG 2.0 RET Control



ELECTRICAL SPECIFICATIONS

Frequency Band, MHz	1695-1850	1850-1990	1990-2180
Horizontal Beamwidth, 3dB points	84°	84°	85°
Gain, dBi	16.8	16.5	16.0
Vertical Beamwidth, 3dB points	5.9°	6.5°	6.8°
Front-to-Back at 180°, dB	> 28		
Upper Sidelobe Suppression, Typical, dB	<-18		
Polarization	+/-45°		
Electrical Downtilt (See Order Information)	0°-6° or 4°-10°		
VSWR/Return Loss, dB, Maximum	1.5:1-14.0		
Isolation Between Ports, dB, Minimum	>30		
Intermodulation (2x20w), IM3, dBc, Maximum	-150		
Impedance, ohms	50		
Maximum Power Per Connector, CW (w)	250		

MECHANICAL SPECIFICATIONS

Dimensions, Length/Width/Depth	69.1/6.7/5.2 in (1756/170/131 mm)
Connector (Quantity) Type	(2) 7-16 DIN Female
Connector Torque	220-265 lbf-in (23-30 N-m)
Connector Location	Back
Antenna Weight	25 lbs (11.4 kg)
Bracket Weight	13.2 lb (6.0 kg)
Standard Bracket Kit	919011 (Included)
Mechanical Downtilt Range	0-12°
Radome Material	Ultra High Strength Luran, UV Stabilized, ASTM D1925
Wind Survival	150 mph (241 km/h)
Front Wind Load	106.5.0 lbf (473.9 N) @100mph
Equivalent Flat Plate	2.12sq-ft (c=2) @ 100mph

RET INFORMATION

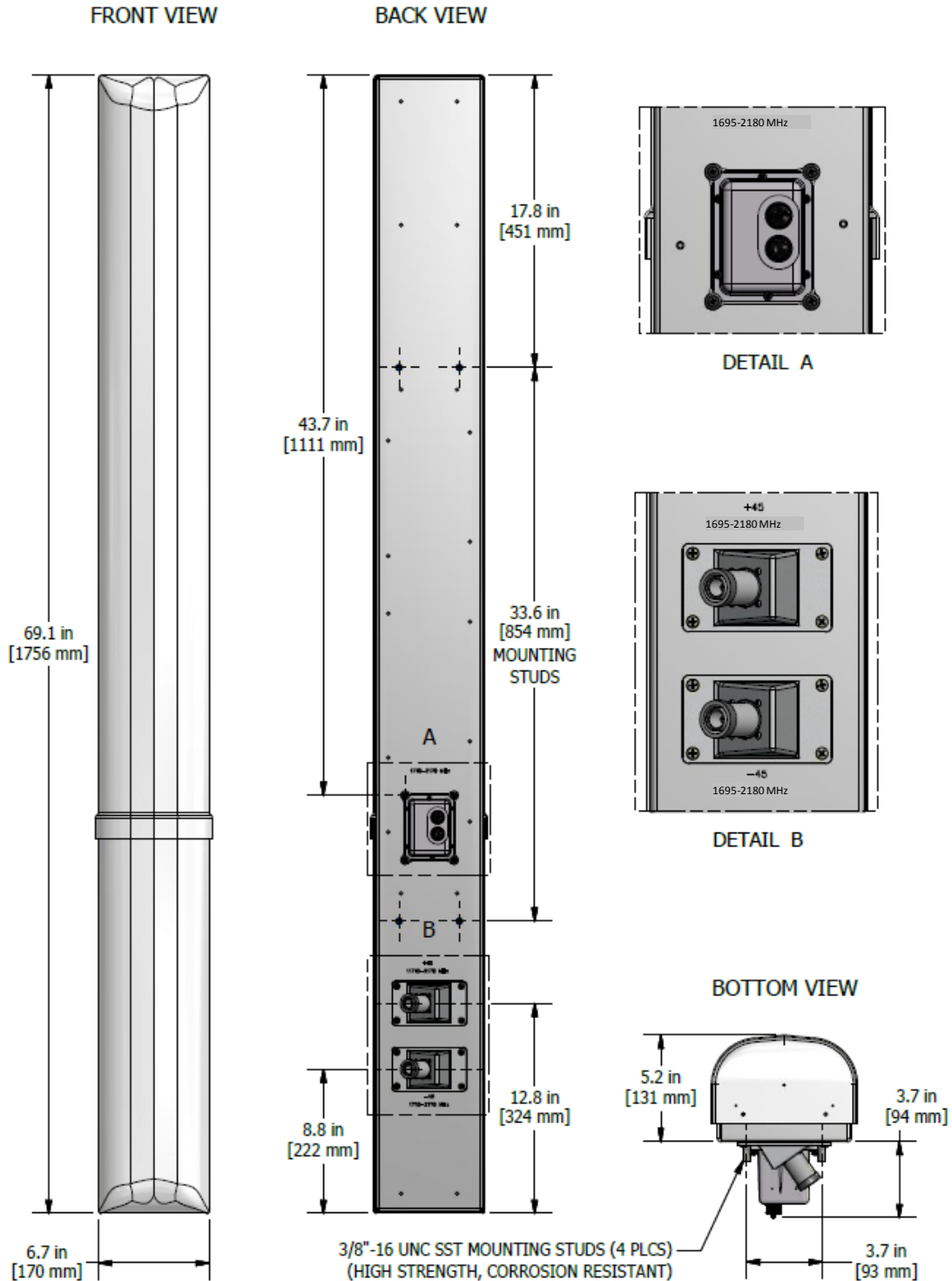
Model	RET-200
Mounting Location	Rear of Antenna
Weight	1.2 lb (0.54 kg)
Communication Standard	AISG 2.0
Control System	PCU-220



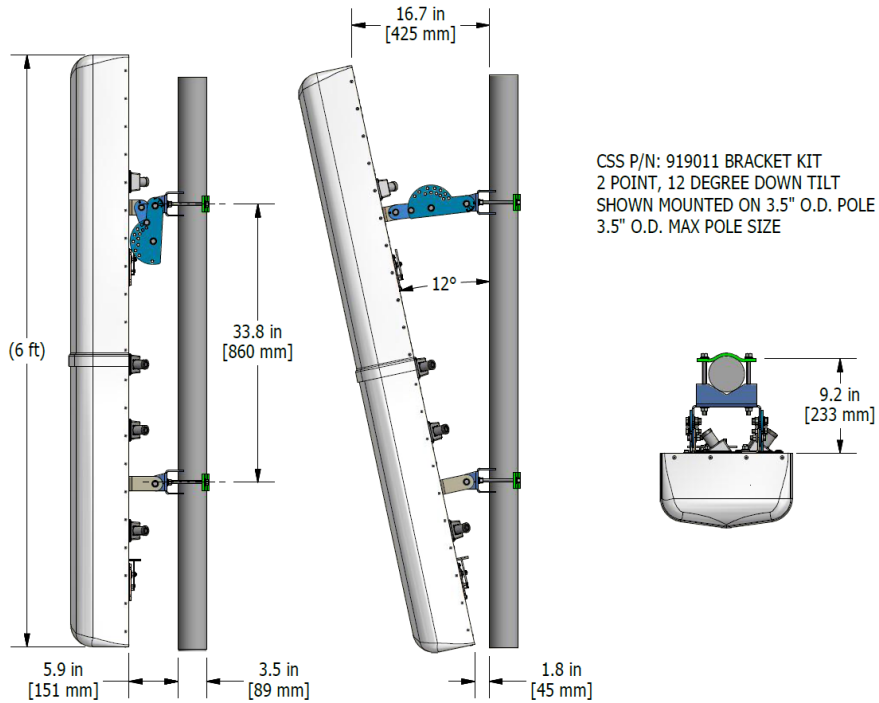
ORDER INFORMATION

MODEL	DESCRIPTION
XAP-680-VR0	X-Pol antenna with remote (RET) adjust electrical downtilt 0-6°
919036	Optional Bracket Kit, 2-Point, 12deg D-tilt, For 4.5" OD Pole

Mechanical Outline Drawing: RET Version



Standard Bracket Kit



Optional Bracket Kit

