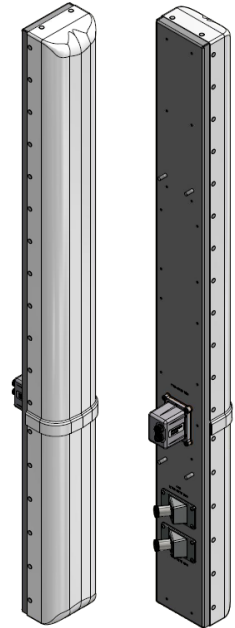


## XAP-660-V

+/- 45° Polarization, (1) 1710-2170MHz Antenna, 69.1” Length, 60° Horizontal Pattern, Variable E-Tilt

- Separate housing and reflector construction optimizes RF performance while maximizing mechanical strength
- Good Passive Intermodulation (PIM) performance reduces harmful interference
- Suitable for LTE/CDMA/UMTS/GSM
- AISG 2.0 RET Tilt Control



## ELECTRICAL SPECIFICATIONS

Frequency Band, MHz	1695-1850	1850-1990	1990-2180
Horizontal Beamwidth, 3dB points	61°	59°	59°
Gain, dBi	17.3	16.9	16.8
Vertical Beamwidth, 3dB points	6.7°	6.4°	6.2°
Front-to-Back at 180°, dB	> 28		
Upper Sidelobe Suppression, Typical, dB	<-18		
Polarization	+/-45°		
Electrical Downtilt (See Order information)	0°-6° or 4°-10°		
VSWR/Return Loss, dB, Maximum	1.5:1/-14.0		
Isolation Between Ports, dB, Minimum	<-28		
Intermodulation (2x20w), IM3, dBc, Maximum	-153		
Impedance, ohms	50		
Maximum Power Per Connector, CW (w)	250		

## MECHANICAL SPECIFICATIONS

Dimensions, Length/Width/Depth	69.1/6.7/5.2 in (1756/170/131 mm)
Connector (Quantity) Type	(2) 7-16 DIN Female
Connector Torque	220-265 lbf-in (25-30 N-m)
Connector Location	Back
Antenna Weight	16.5 lbs (7.5 kg)
Bracket Weight *Not included in antenna weight	13.2 lb (6.0 kg)
Standard Bracket Kit	Part # 919011 (Included)
Mechanical Downtilt Range	0-12°
Radome Material	High Strength Luran, UV Stabilized, ASTM D1925
Wind Survival	150 mph (241 km/h)
Front Wind Load	104.5 lbf (473.9 N) @100mph
Equivalent Flat Plate	2.12 sq-ft (c=2) @ 100mph

## RET INFORMATION

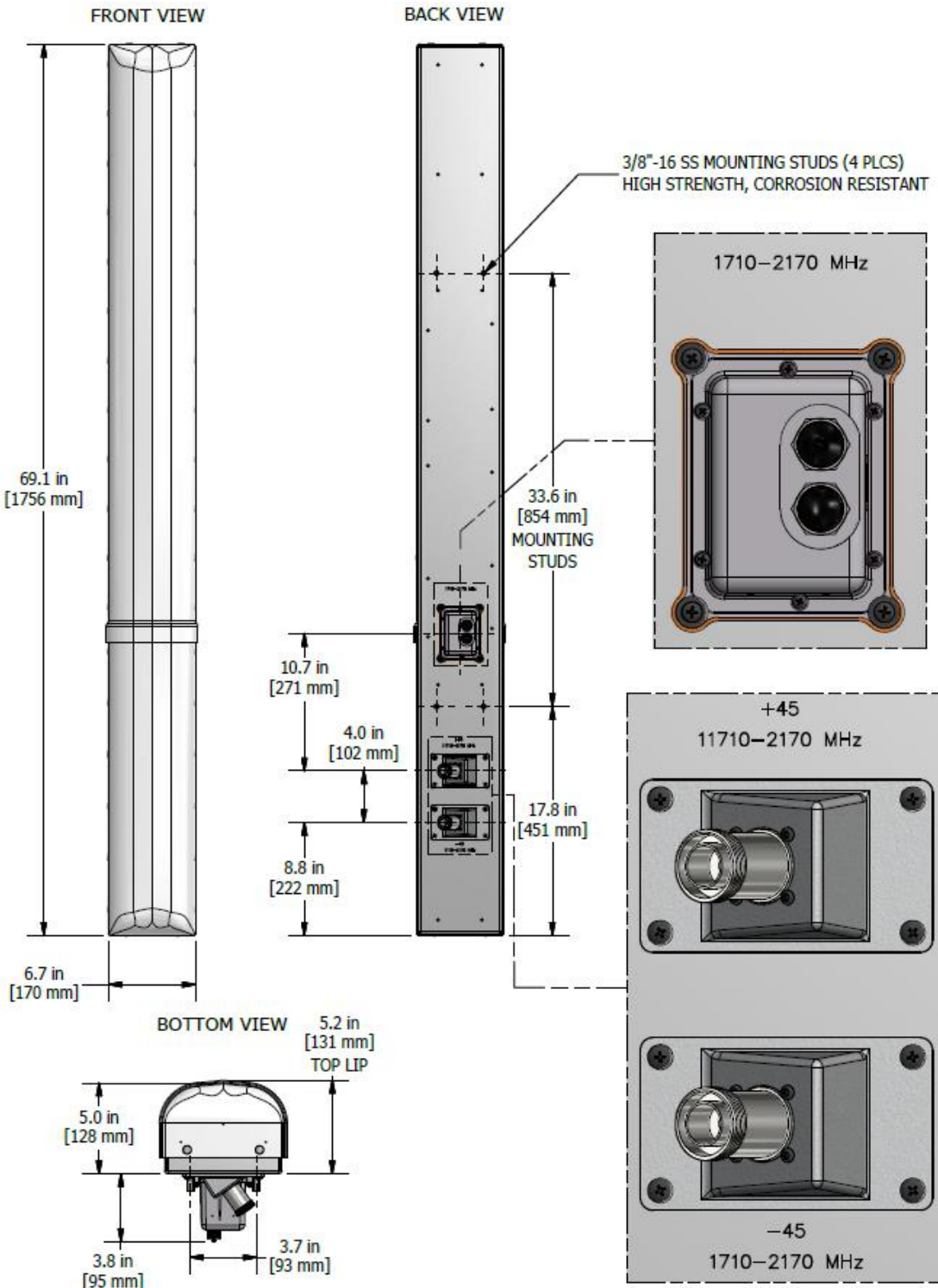
Model	RET-200
Mounting Location	Rear of Antenna
Communication Standard	AISG 2.0
Control System	PCU-1000



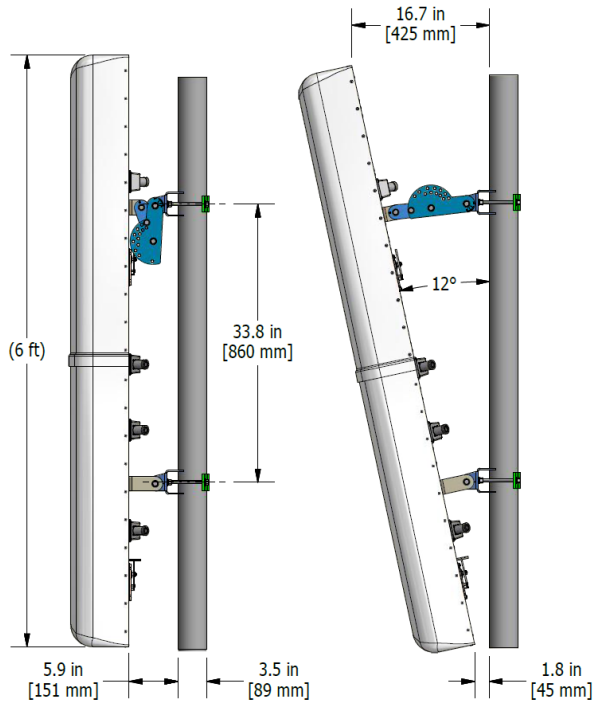
## ORDER INFORMATION

MODEL	DESCRIPTION
XAP-660-VR0	X-Pol antenna with remote (RET) adjust electrical downtilt 0-6°
XAP-660-VR4	X-Pol antenna with remote (RET) adjust electrical downtilt 4-10°
919036	Optional Bracket Kit, 2-Point, 12deg D-tilt, For 4.5" OD Pole

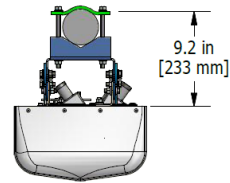
### Mechanical Outline Drawing RET Version



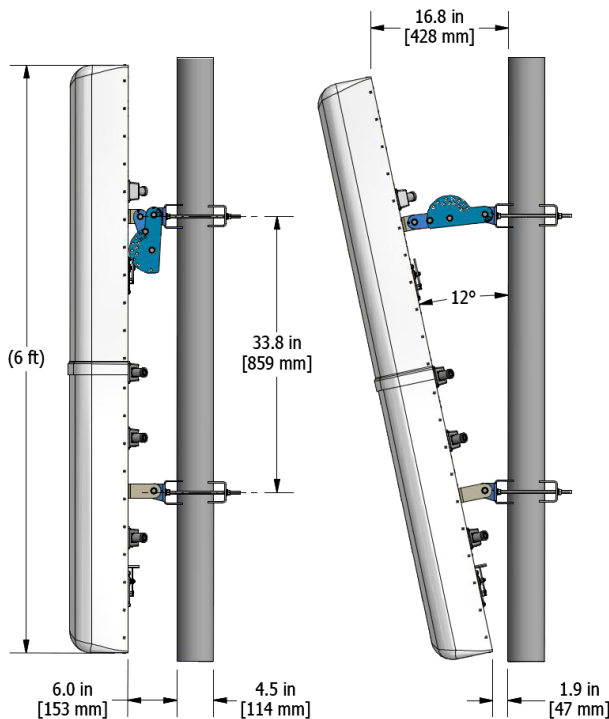
### Standard Bracket Kit



CSS P/N: 919011 BRACKET KIT  
 2 POINT, 12 DEGREE DOWN TILT  
 SHOWN MOUNTED ON 3.5" O.D. POLE  
 3.5" O.D. MAX POLE SIZE



### Optional Bracket Kit



CSS P/N: 919036 BRACKET KIT  
 2 POINT, 12 DEGREE DOWN TILT  
 SHOWN MOUNTED ON 4.5" O.D. POLE  
 4.5" O.D. MAX POLE SIZE

