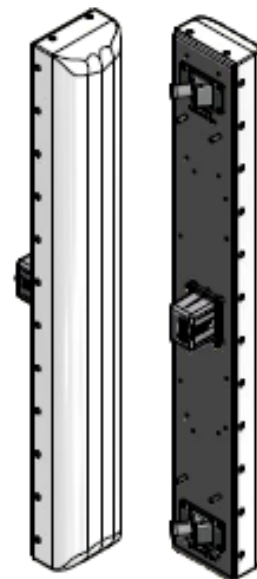


## XAP-480-V

X-Polarization, 1710-2170MHz, 48", 80° H-Beam  
RET

- Macro Cell Antenna
- Suitable for LTE/CDMA/UMTS/GSM
- AISG v2.0 RET Control



## ELECTRICAL SPECIFICATIONS

Frequency Band, MHz	1710-1850	1850-1990	1990-2170
Horizontal Beamwidth, 3dB points	83°	84°	81°
Gain, dBi	15.6	15.4	15.4
Vertical Beamwidth, 3dB points	7.3°	7.0°	7.0°
Front-to-Back at 180°, dB	> 28		
Upper Sidelobe Suppression, Typical, dB	<-18		
Polarization	+/-45°		
Electrical Downtilt (See Order information)	0°-6° or 4°-10°		
VSWR/Return Loss, dB, Maximum	1.5:1/-14.0		
Isolation Between Ports, dB, Minimum	> 30		
Intermodulation (2x20w), IM3, dBc, Maximum	-150		
Impedance, ohms	50		
Maximum Power Per Connector, CW (w)	250		

## MECHANICAL SPECIFICATIONS

Dimensions, Length/Width/Depth	48/6.7/4.5 in (1219/170/114 mm)
Connector (Quantity) Type	(2) 7-16 DIN Female
Connector Torque	220-265 lbf-in (23-30 N-m)
Connector Location	Back
Antenna Weight	11.6 lbs
Bracket Weight	13.2 lb (6.0 kg)
Standard Bracket Kit	919011 ( Included )
Mechanical Downtilt Range	0-12°
Radome Material	High Strength Luran, UV Stabilized, ASTM D1925
Wind Survival	150 mph (241 km/h)
Front Wind Load @100mph	64.7 lbf (288.0 N) @100mph
Equivalent Flat Plate @ 100mph	1.29 sq-ft (c=2) @ 100mph

## RET INFORMATION

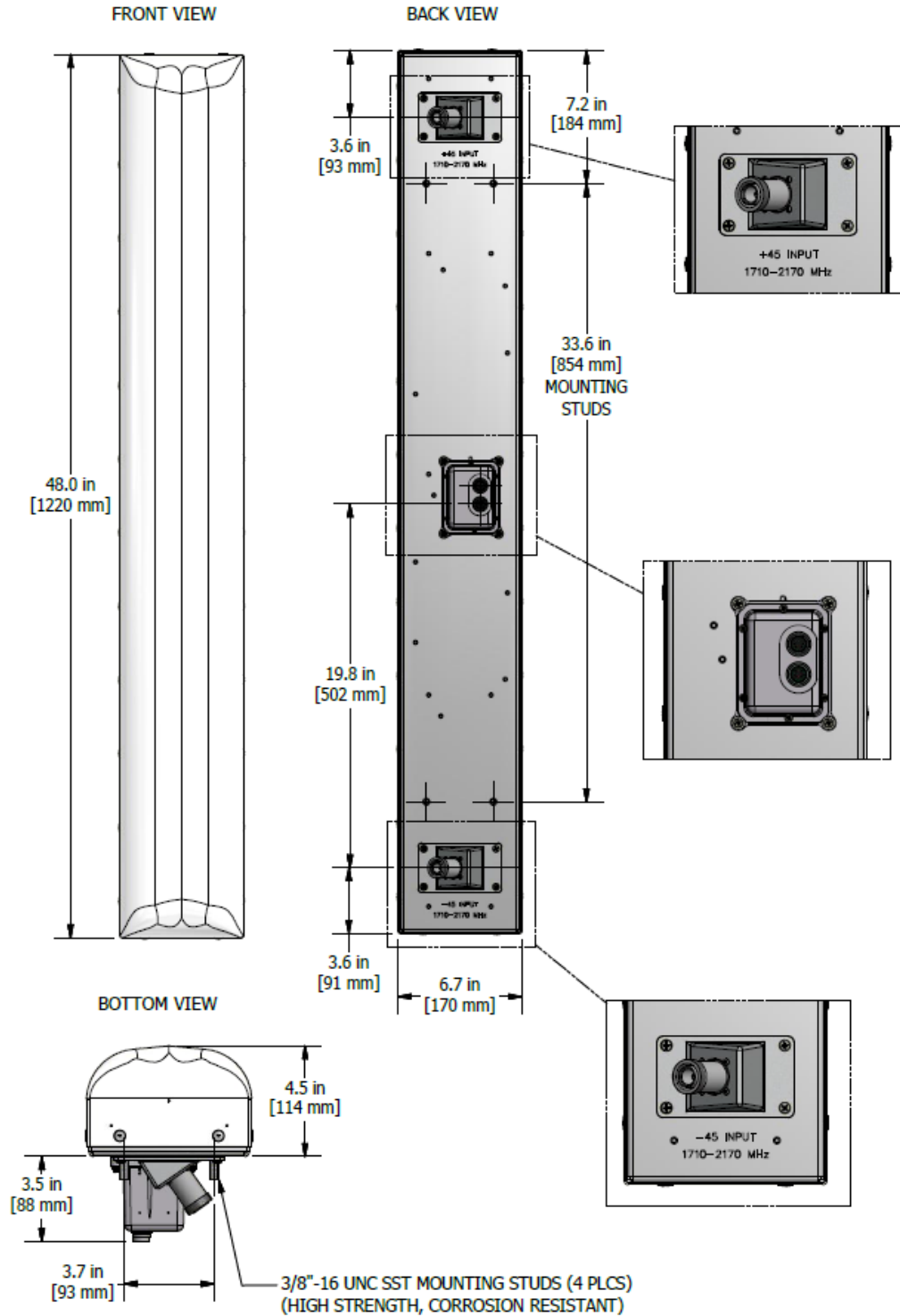
Model	RET-200
Mounting Location	Rear of Antenna
Weight	1.2 lb (0.54 kg)
Communication Standard	AISG 2.0
Control System	PCU-1000



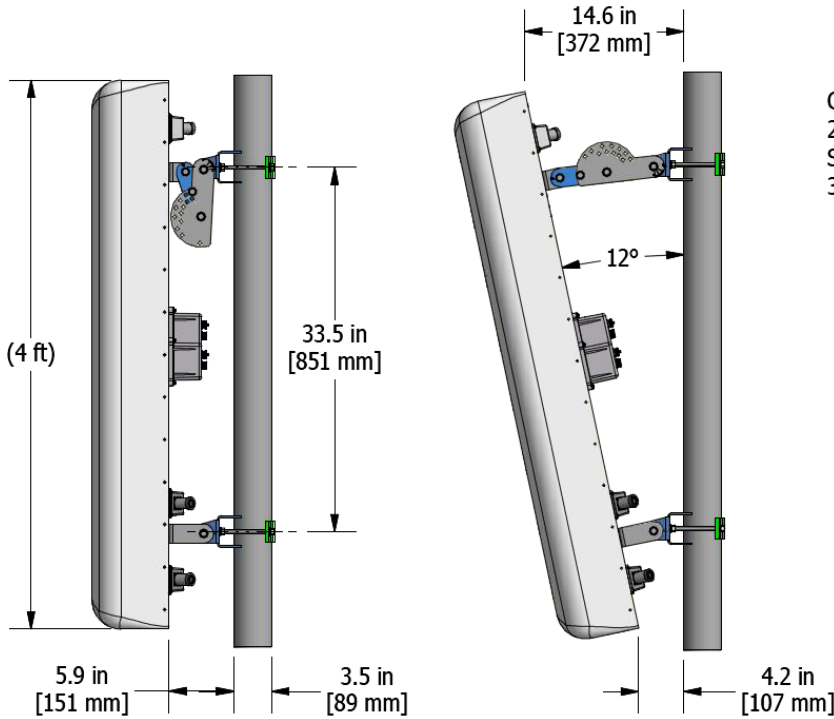
## ORDER INFORMATION

MODEL	DESCRIPTION
XAP-480-VR0	X-Pol antenna with motor for remote electrical tilt (RET) range of 0-6°
XAP-480-VR4	X-Pol antenna with motor for remote electrical tilt (RET) range of 4-10°
919036	Optional Bracket Kit, 2-Point, 12deg D-tilt, For 4.5" OD Pole

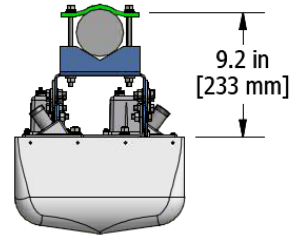
### Mechanical Outline Drawing: RET Version



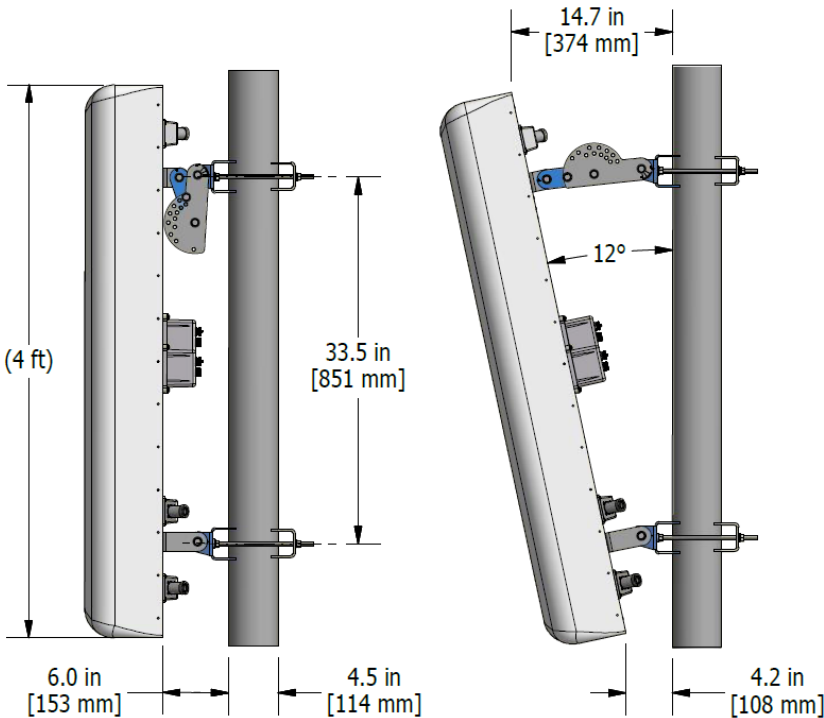
**Standard Bracket Kit**



CSS P/N: 919011 BRACKET KIT  
2 POINT, 12 DEGREE DOWN TILT  
SHOWN MOUNTED ON 3.5" O.D. POLE  
3.5" O.D. MAX POLE SIZE



**Optional Bracket Kit**



CSS P/N: 919036 BRACKET KIT  
2 POINT, 12 DEGREE DOWN TILT  
SHOWN MOUNTED ON 4.5" O.D. POLE  
4.5" O.D. MAX POLE SIZE

