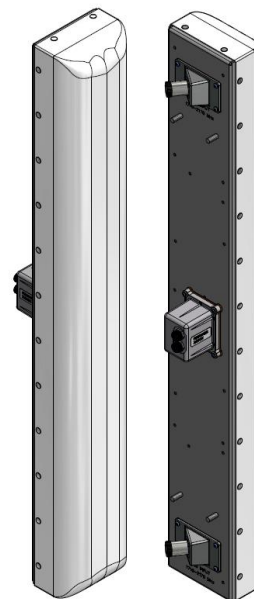


XAP-460-V

X-Pol Antenna, 1710-2170MHz, 48", 60° Azimuth
Variable E-Tilt, RET

- Macro Cell Antenna
- Suitable for LTE/CDMA/UMTS/GSM
- AISG v2.0 RET Control



ELECTRICAL SPECIFICATIONS

Frequency Band, MHz	1710-1850	1850-1990	1990-2170
Horizontal Beamwidth, 3dB points	62°	57°	54°
Gain, dBi	17.3	17.4	17.6
Vertical Beamwidth, 3dB points	7.6°	7.2°	7.0°
Front-to-Back at 180°, dB		> 26	
Upper Sidelobe Suppression, Typical, dB		<-18	
Polarization		+/-45°	
Electrical Downtilt		0°-6° or 4°-10°	
VSWR/Return Loss, dB, Maximum		1.5:1/-14.0	
Isolation Between Ports, dB, Minimum		>28	
Intermodulation (2x20w), IM3, dBc, Maximum		-150	
Impedance, ohms		50	
Maximum Power Per Connector, CW (w)		250	

MECHANICAL SPECIFICATIONS

Dimensions, Length/Width/Depth	48/6.7/4.5 in (1219/170/114 mm)
Connector (Quantity) Type	(2) 7-16 DIN Female
Connector Torque	220-265 lbf-in (23-30 N-m)
Connector Location	Back
Antenna Weight	12.0 lbs (5.4 kg)
Bracket Weight	13.2 lb (6.0 kg)
Standard Bracket Kit	919011 (Included)
Mechanical Downtilt Range	0-12°
Radome Material	High Strength Luran, UV Stabilized, ASTM D1925
Wind Survival	150 mph (241 km/h)
Front Wind Load @100mph	64.7 lbf (288.0 N) @ 100mph
Equivalent Flat Plate @ 100mph	1.29 sq-ft (c=2) @ 100mph

RET INFORMATION

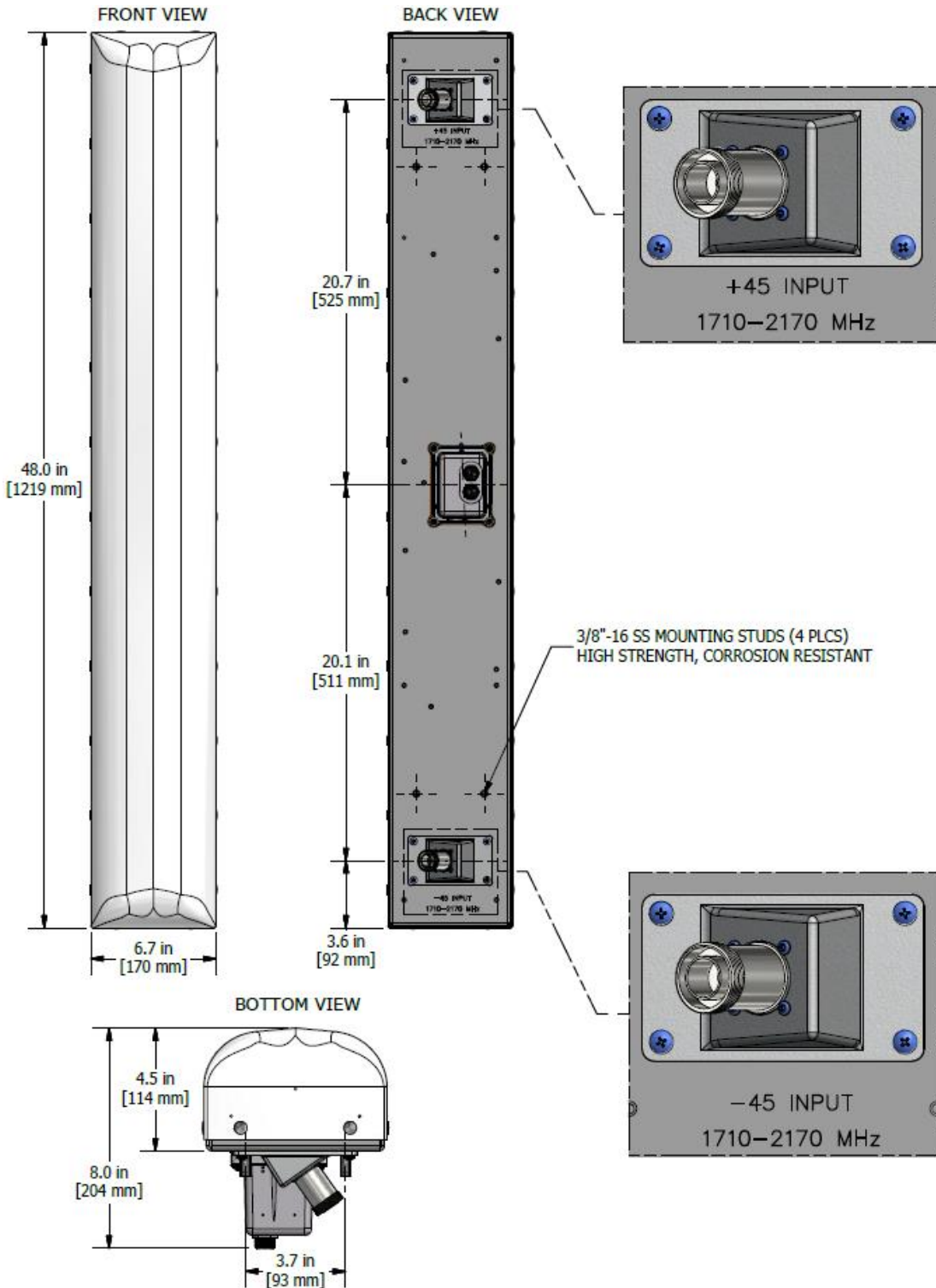
Model	RET-200
Mounting Location	Rear of Antenna
Weight	1.2 lb (0.54 kg)
Communication Standard	AISG 2.0
Control System	PCU-1000



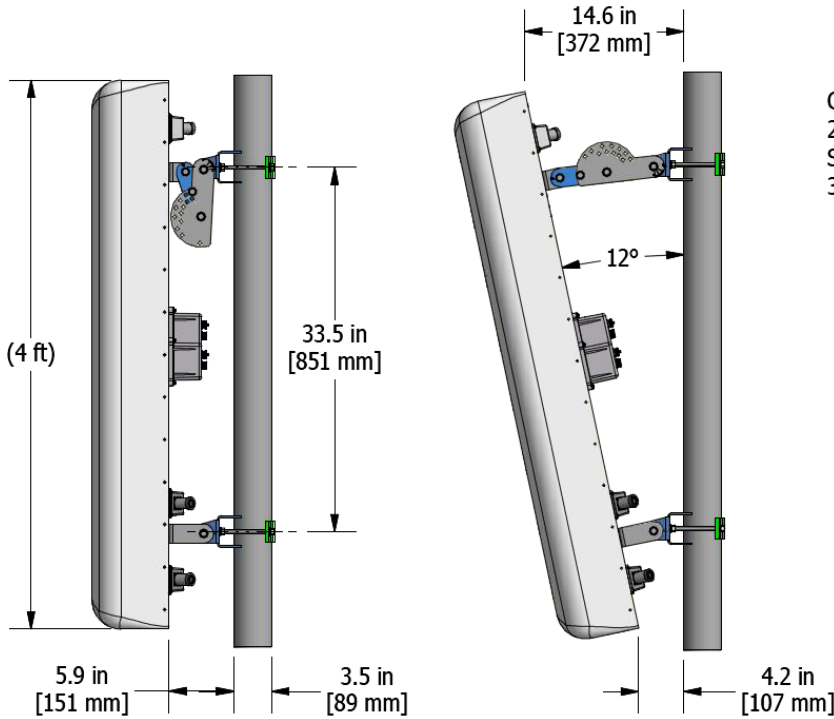
ORDER INFORMATION

MODEL	DESCRIPTION
XAP-460-VR0	X-Pol antenna with motor for remote electrical tilt (RET) range of 0-6°
XAP-460-VR4	X-Pol antenna with motor for remote electrical tilt (RET) range of 4-10°
919036	Optional Bracket Kit, 2-Point, 12deg D-tilt, For 4.5" OD Pole

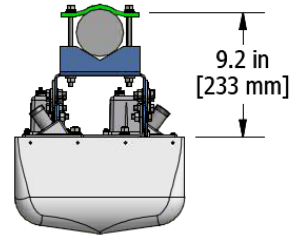
Mechanical Outline Drawing: RET Version



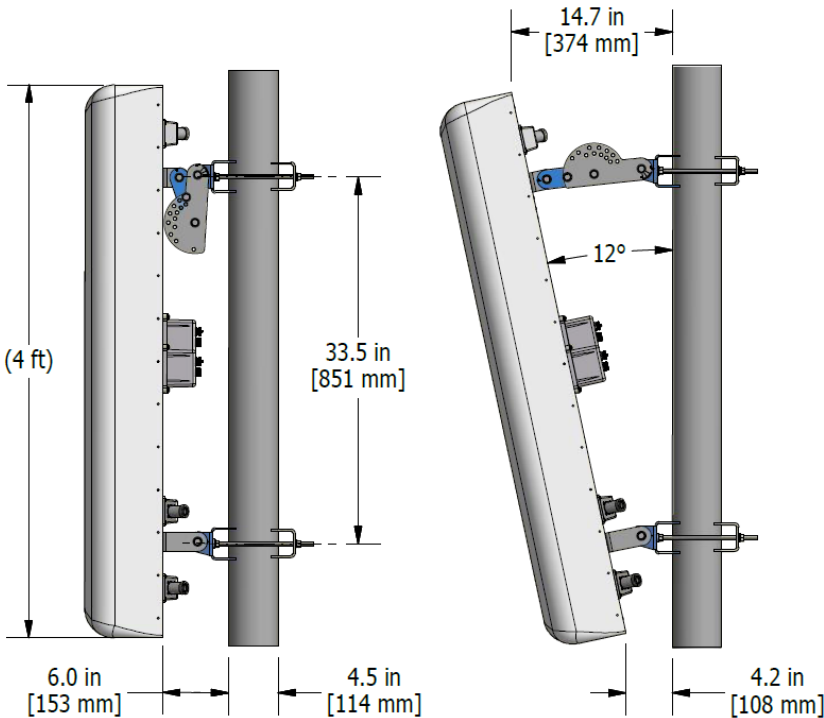
Standard Bracket Kit



CSS P/N: 919011 BRACKET KIT
 2 POINT, 12 DEGREE DOWN TILT
 SHOWN MOUNTED ON 3.5" O.D. POLE
 3.5" O.D. MAX POLE SIZE



Optional Bracket Kit



CSS P/N: 919036 BRACKET KIT
 2 POINT, 12 DEGREE DOWN TILT
 SHOWN MOUNTED ON 4.5" O.D. POLE
 4.5" O.D. MAX POLE SIZE

