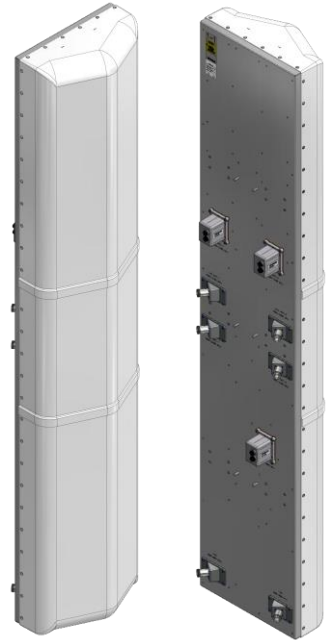


## X7CQAP-FRO-860-V

+/- 45° Polarization, (1) 698-896MHz & (2) 1695-2180 MHz Antenna, 96" Length, Fast Roll Off 60° Horizontal Pattern, Variable E-Tilt

- Fast Roll Off (FRO) improves Intra and Inter-cell SINR
- Separate housing and reflector construction optimizes RF performance while maximizing mechanical strength
- Good Passive Intermodulation (PIM) performance reduces harmful interference
- Independent tilt per array
- Suitable for LTE/CDMA/UMTS/GSM
- AISG 2.0 RET Control



### ELECTRICAL SPECIFICATIONS

Frequency Band, MHz	698-824	824-896	1695-1880	1850-1990	1920-2180
Horizontal Beam Width, 3dB points	60°	57°	56°	57°	58°
Gain, dBi	16.7	17.0	17.7	17.6	17.8
Vertical Beam Width, 3dB points	9.3°	7.8°	5.7°	5.4°	5.3°
Upper Side Lobe Suppression, Typical, dB	<-18	<-18	<-18	<-18	<-18
Front-to-Back at 180°, dB	> 30		> 30		
Polarization	+/-45°		2x +/-45°		
Electrical Downtilt (See Order Information)	0°- 8° / 4°-12°		0°- 11°		
VSWR/Return Loss, dB, Maximum	1.5:1/14.0		1.5:1/14.0		
Isolation Between Ports, dB, Minimum	>26		>26		
Intermodulation (2x20w), IM3, dBc, Maximum	-153		-153		
Impedance, ohms	50		50		
Maximum Power Per Connector, CW (w)	500		250		

## MECHANICAL SPECIFICATIONS

Dimensions, Length/Width/Depth	96 /19.2 /10.2 in (2438/476/258mm)
Connector (Quantity) Type	(6) total: (2) low, (4) high band 7-16 DIN Female
Connector Torque	220-265 lbf-in (23-30 N-m)
Connector Location	Back
Antenna Weight	74 lbs (33.64 Kg)
Bracket Weight	18.2 lbs(8.25 Kg)
Standard Bracket Kit	919032 (Included)
Mechanical Downtilt Range	0°- 6°
Radome Material	High Strength Luran, UV Stabilized, ASTM D1925
Wind Survival	150 mph (241 km/h)
Front Wind Load @100mph	364 lbf (1616 N) @100mph
Equivalent Flat Plate @ 100mph	7.24 sq-ft (c=2)

## RET INFORMATION

Model	RET-200
Mounting Location	Back
Communication Standard	AISG 2.0
Control System	PCU-220



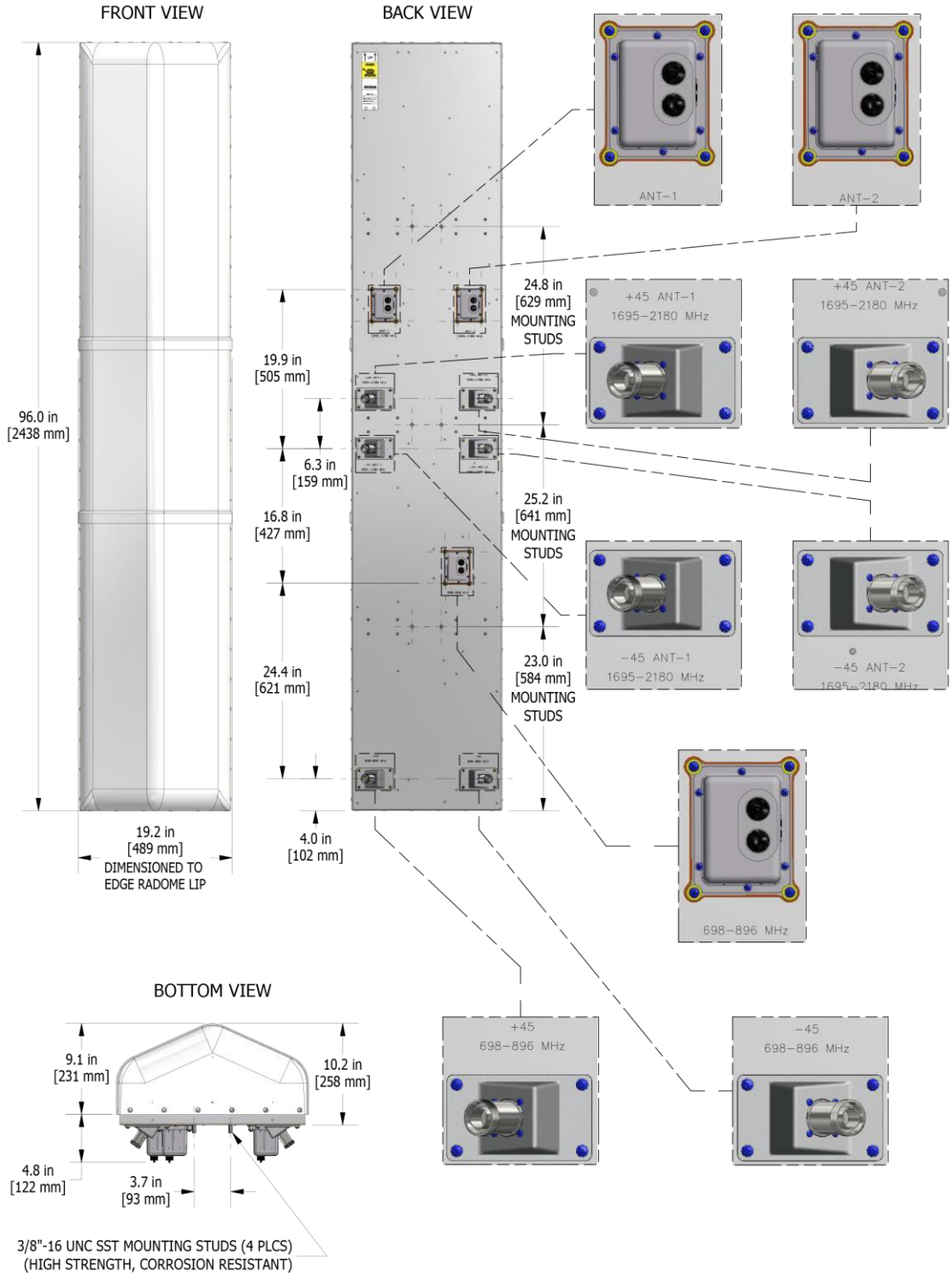
## ORDER INFORMATION

MODEL	DESCRIPTION
X7CQAP-FRO-860-VR0	Remote motor adjust variable e-tilt (RET), EDT 0-8° low band and 0-11° high band
X7CQAP-FRO-860-VR4	Remote motor adjust variable e-tilt (RET), EDT 4-12° low band and 0-11° high band
919049	Optional Bracket Kit, 3-Point, 6 deg D-tilt, For 4.5" OD Pole

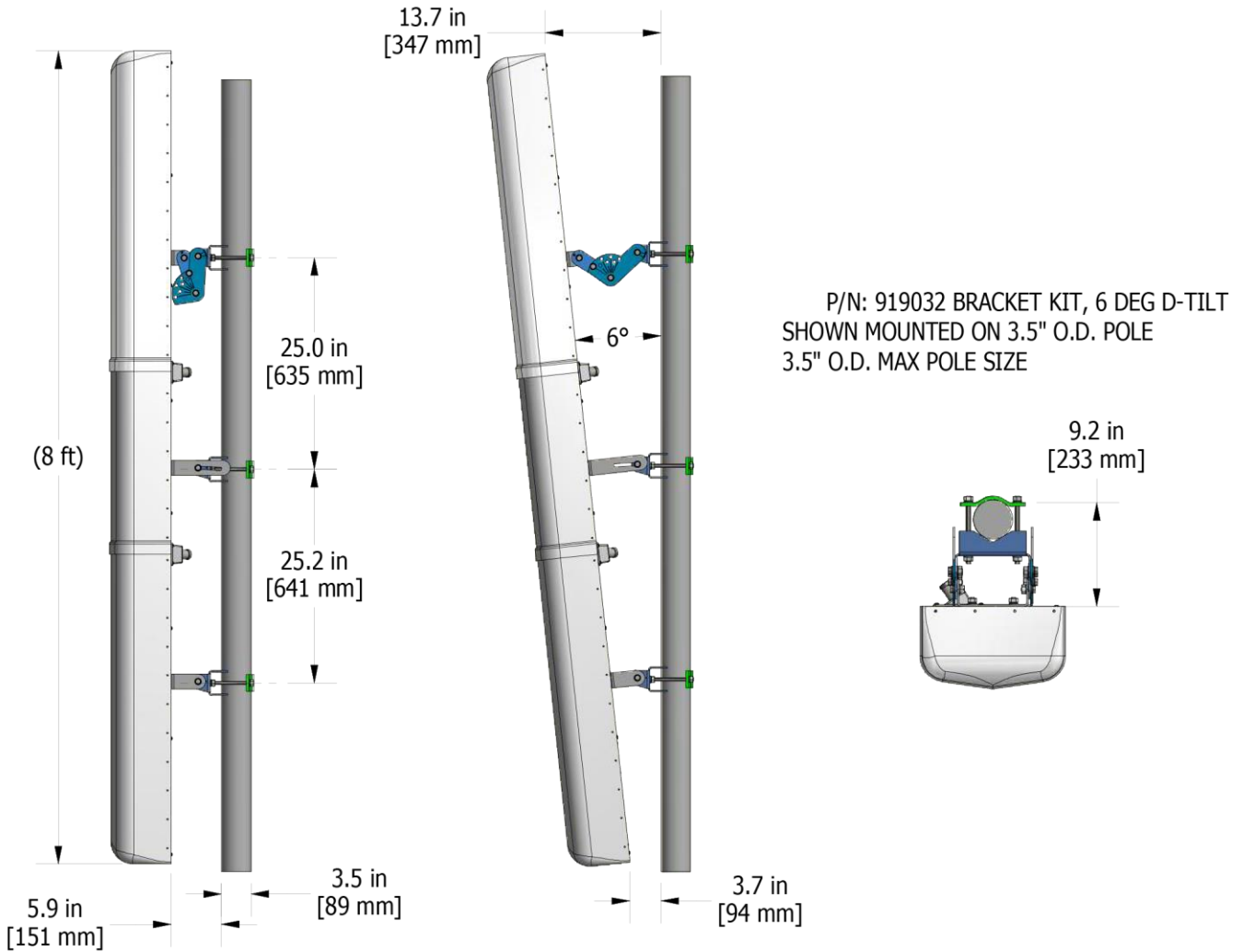
## OTHER ORDERING INFORMATION

MODEL	DESCRIPTION
992100-CA013-SC	AISG Jumper Cable, M/F, 1.3 meters

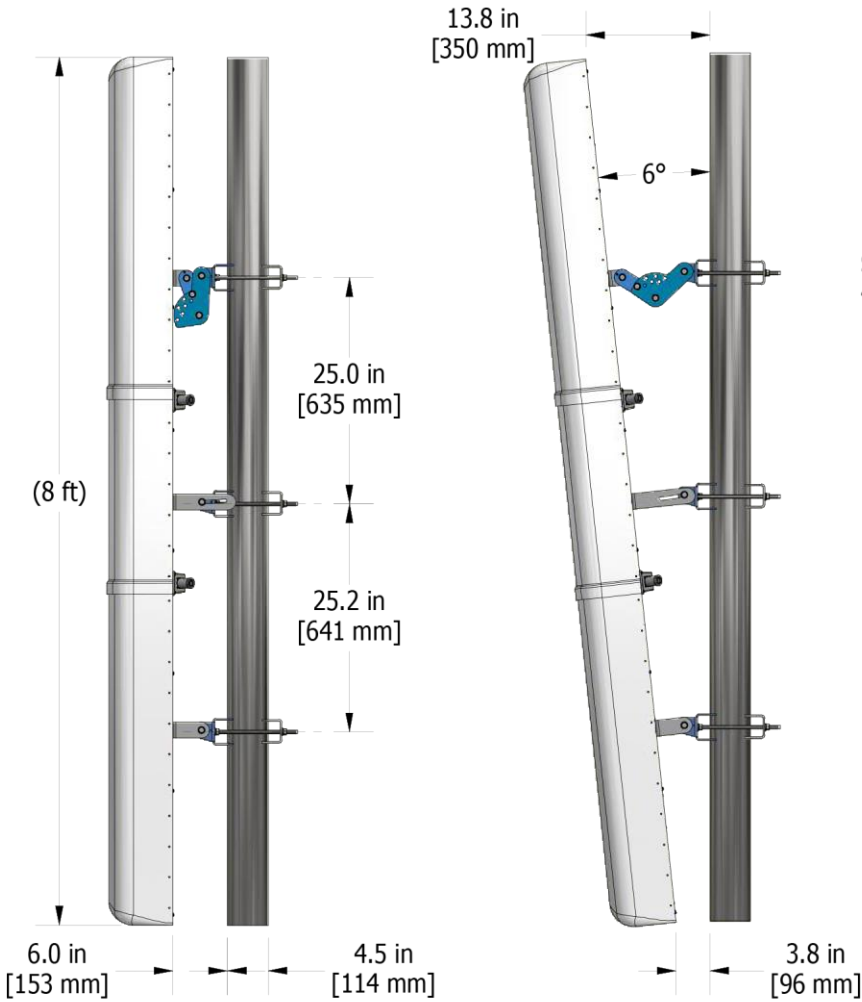
### MECHANICAL VIEWS



**STANDARD BRACKET KIT – 919032**



**OPTIONAL BRACKET KIT – 919049**



P/N: 919049 BRACKET KIT, 3 POINT, 6 DEG D-TILT  
 SHOWN MOUNTED ON (OPTIONAL) 4.5" O.D. POLE  
 4.5" O.D. MAX POLE SIZE

