

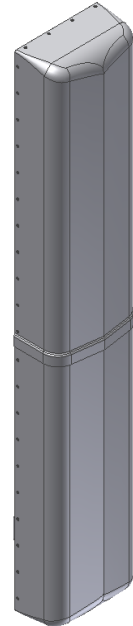
X7CQAP-FRO-845-V

1 Xpol Low Band 2 Xpol in High Band, 698-896/1695-2180MHz, 96", 45° Fast Roll Off H-Beam

Variable E-Tilt RET

6 Port Macro Cell Antenna: 1 Low Band 8' Antenna, 2 High Band 6' Antennas in a single radome, all with separate tilts

- Fast Roll Off
- Quantity 3 RET Setup
- Suitable for LTE/CDMA/UMTS/GSM
- AISG 2.0 RET Control



ELECTRICAL SPECIFICATIONS

Frequency Band, MHz	698-824	824-896	1695-1880	1850-1990	1920-2180
Horizontal Beam Width, 3dB points	48°	41°	46°	45°	47°
Gain, dBi	18.3	19	17.9	18.2	18.4
Vertical Beam Width, 3dB points	9.2°	8.1°	5.9°	6.0°	6.0°
Upper Side Lobe Suppression, Typical, dB	<-16	<-16	<-16	<-16	<-16
Cross Polar Ratio (CPR) at Bore Sight, dB	>20	>20	>20	>20	>20
Cross Polar Ratio (CPR) at Sector +/- 45°, dB	>10	>10	>8	>10	>10
Front-to-Back at 180°, dB	> 30		> 28		
Polarization	+/- 45°		2x +/- 45°		
Electrical Down Tilt	0°-6° or 4°-10°		0°-6° or 4°-10°		
VSWR/Return Loss, dB, Maximum	1.5:1/14.0		1.5:1/14.0		
Isolation Between Ports, dB, Minimum	> 28		> 28		
Co – Pole Isolation Inter Antenna	N/A		> 28		
Intermodulation (2x20w), IM3, dBc, Maximum	-153		-153		
Impedance, ohms	50		50		
Maximum Power Per Connector, CW (w)	500		250		

MECHANICAL SPECIFICATIONS

Dimensions, Length/Width/Depth	96.0 x 18.8 x 10.2 inches (2438 x 479 x 246 mm)
Connector (Quantity) Type	6 total: 2 low band, 4high Band , 7-16 DIN Female
Connector Torque	220-265 lbf-in (23-30 N-m)
Connector Location	Back
Antenna Weight	67.0 lbs (30.39 Kg)
Bracket Weight	18.2 lbs (8.25 Kg)
Standard Bracket Kit	919032 (Included)
Mechanical Down Tilt Range	0°-6°
Radome Material	High Strength Luran, UV Stabilized, ASTM D1925
Wind Survival	150 mph (241 km/h)
Front Wind Load @100mph	363.4 lbf (1616.3 N)
Equivalent Flat Plate @ 100mph	7.24 sq-ft (c=2)

RET INFORMATION

Model	CSS-RET-200
Mounting Location	Back
Weight	1.2 lb (0.54 kg)
Communication Standard	AISG 2.0
Control System	CSS-PCU-220



ORDER INFORMATION

MODEL	DESCRIPTION
X7CQAP-FRO-845-VR0	Remote motor adjust variable e-tilt (RET), EDT 0-6° low band and 0-6° high band
X7CQAP-FRO-845-VR4	Remote motor adjust variable e-tilt (RET), EDT 4-10° low band and 4-10° high band

OPTIONAL BRACKET KIT

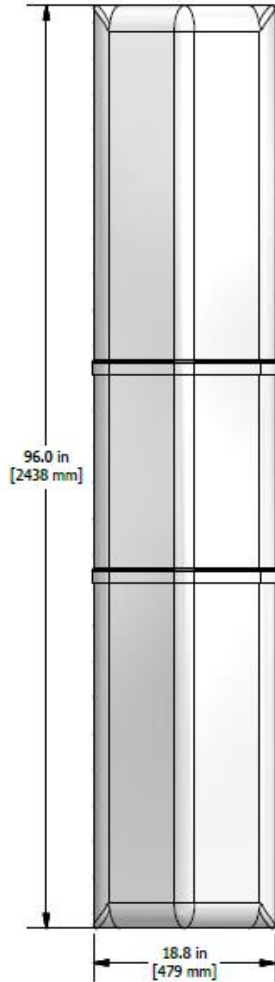
MODEL	DESCRIPTION
919049	Optional Bracket Kit, 3-Point, 6 deg D-tilt, For 4.5" OD Pole
992058	Optional Hand Wheel Kit 8' Low Band, QTY 1 Required
992063	Optional Hand Wheel Kit 6' High Band, QTY 2 Required

RET ORDERING INFORMATION

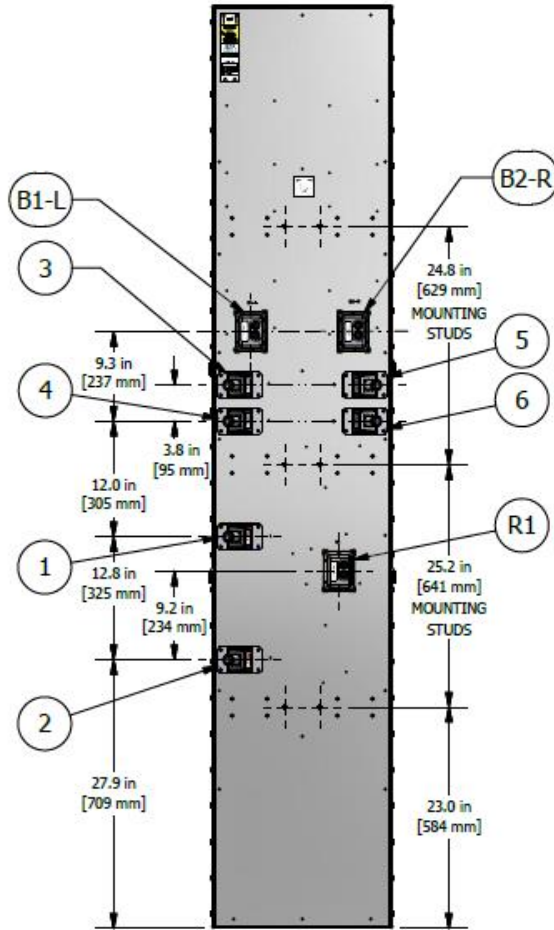
MODEL	DESCRIPTION
992100-CA013-SC	AISG Jumper Cable, M/F, 1.3 meters Qty. (2)

Mechanical Outline Drawing: RET Version

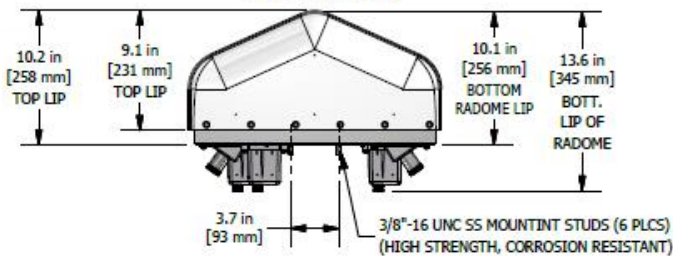
FRONT VIEW



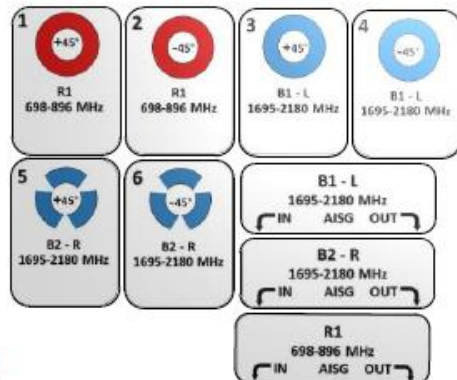
BACK VIEW



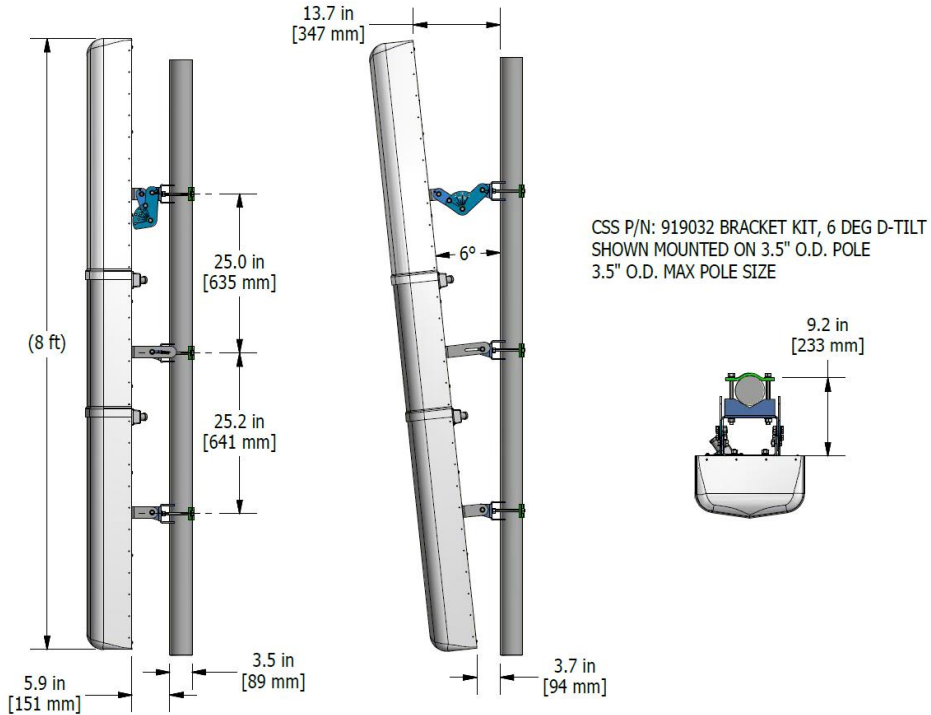
BOTTOM VIEW



PORT / RET LABELING



Standard Bracket Kit



Optional Bracket Kit

