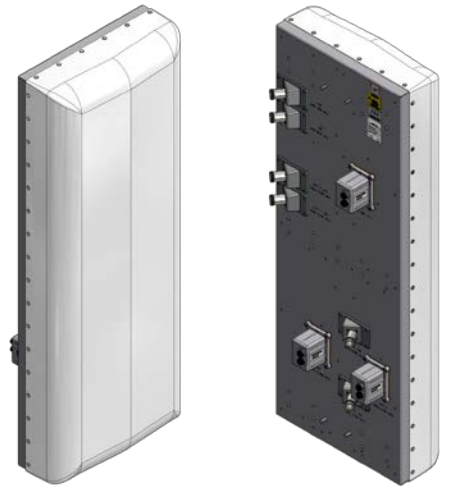


X7CQAP-FRO-460-V

+/-45° Polarization, (1) 698-896MHz & (2) 1695-2180 MHz Antenna, 50.5" Length, Fast Roll Off 60° Horizontal Pattern, Variable E-tilt

- Fast Roll Off (FRO) improves Intra and Inter- cell SINR
- Separate housing and reflector construction optimizes RF performance while maximizing mechanical strength
- Good Passive Intermodulation (PIM) performance reduces harmful interference
- Suitable for LTE/CDMA/UMTS/GSM
- AISG 2.0 RET Control



ELECTRICAL SPECIFICATIONS

Frequency Band, MHz	698-824	824-896	1695-1880	1850-1990	1920-2180
Horizontal Beam Width, 3dB points	61°	57°	61°	57°	53°
Gain, dBi	14.3	14.8	16.6	16.6	17.3
Vertical Beam Width, 3dB points	17.5°	15.5°	7.5°	7.1°	6.8°
Upper Side Lobe Suppression, Typical, dB	<-18	<-18	<-18	<-18	<-18
Cross Polar Ratio (CPR) at Bore Sight, dB	> 20	> 20	> 20	> 20	> 20
Cross Polar Ratio (CPR) at Sector +/- 60°, dB	> 8	> 8	> 8	> 8	> 8
Front-to-Back at 180°, dB	> 30		> 30		
Polarization	+/- 45°		2x +/- 45°		
Electrical Downtilt	0°-16°		0°-11°		
VSWR/Return Loss, dB, Maximum	1.5:1/14.0		1.5:1/14.0		
Isolation Between Ports, dB, Minimum	> 28		> 28		
Co – Polar Isolation Inter Antenna	> 28		> 28		
Intermodulation (2x20w), IM3, dBc, Maximum	-153		-153		
Impedance, ohms	50		50		
Maximum Power Per Connector, CW (w)	500		250		

MECHANICAL SPECIFICATIONS

Dimensions, Length/Width/Depth	50.5/18.8 /7.6 in (1383/476/193mm)
Connector (Quantity) Type	(6 total: 2 low, 4 high band) 7-16 DIN Female
Connector Torque	220-265 lbf-in (23-30 N-m)
Connector Location	Back
Antenna Weight	45 lbs (20.45 Kg)
Bracket Weight	13.2 lbs (6.0 Kg)
Standard Bracket Kit	919061 (Included)
Mechanical Downtilt Range	0°-12°
Radome Material	High Strength Luran, UV Stabilized, ASTM D1925
Wind Survival	150 mph (241 km/h)
Front Wind Load @100mph	163.5 lbf (727.5 N) @100mph
Equivalent Flat Plate @ 100mph	3.26 sq-ft (c=2) @ 100mph

RET INFORMATION

Model	RET-200
Mounting Location	Rear of Antenna
Weight	1.2 lb (0.54 kg)
Communication Standard	AISG 2.0
Control System	PCU-220



ORDER INFORMATION

MODEL	DESCRIPTION
X7CQAP-FRO-460-VR0	4 FT HEX, FRO, 60° HBW 0-16°/ 0-11° EDT
919036	Optional Bracket Kit, 2-Point, 12deg D-tilt, For 4.5" OD Pole

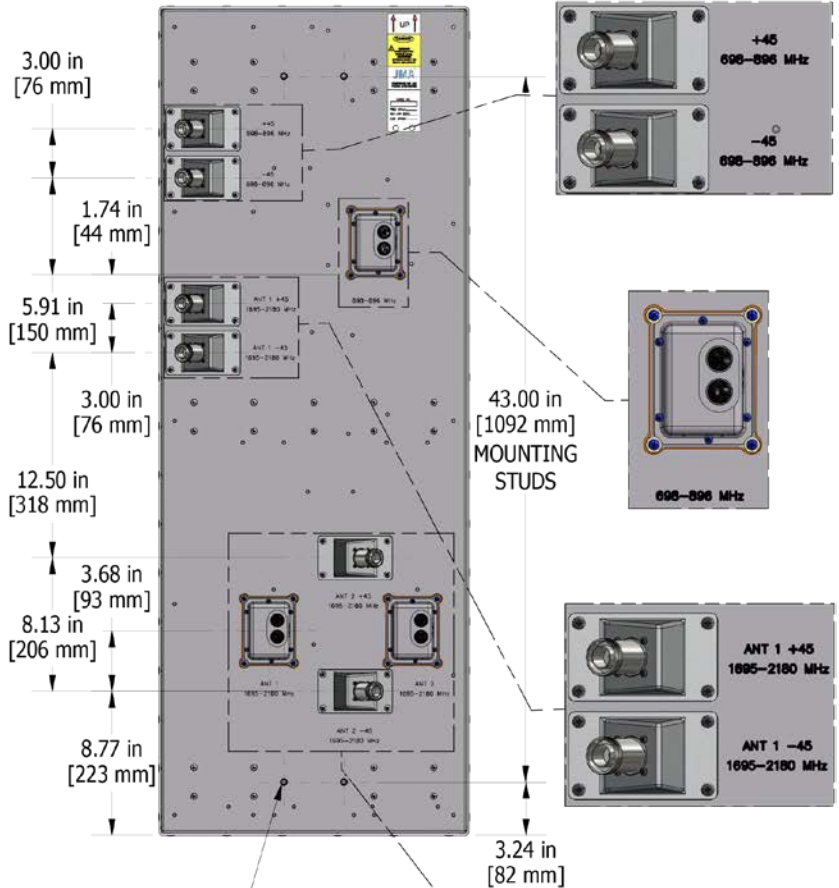
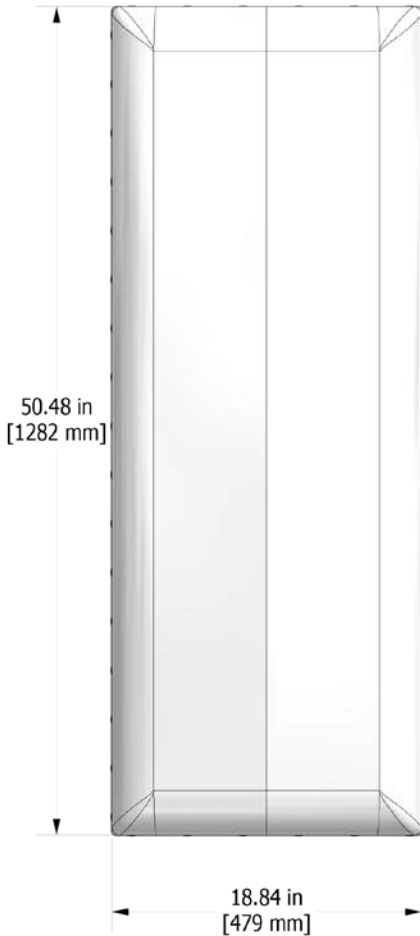
RET Ordering Information

MODEL	DESCRIPTION
992100-CA013-SC	AISG Jumper Cable, M/F, 1.3 meters

Mechanical Outline Drawing

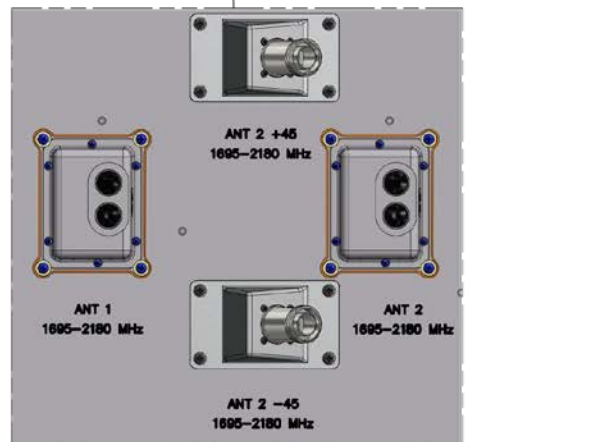
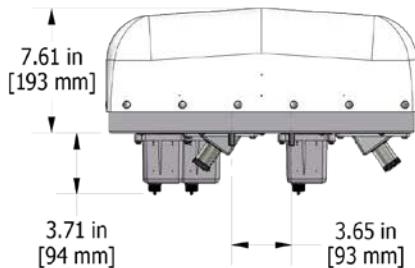
FRONT VIEW

BACK VIEW

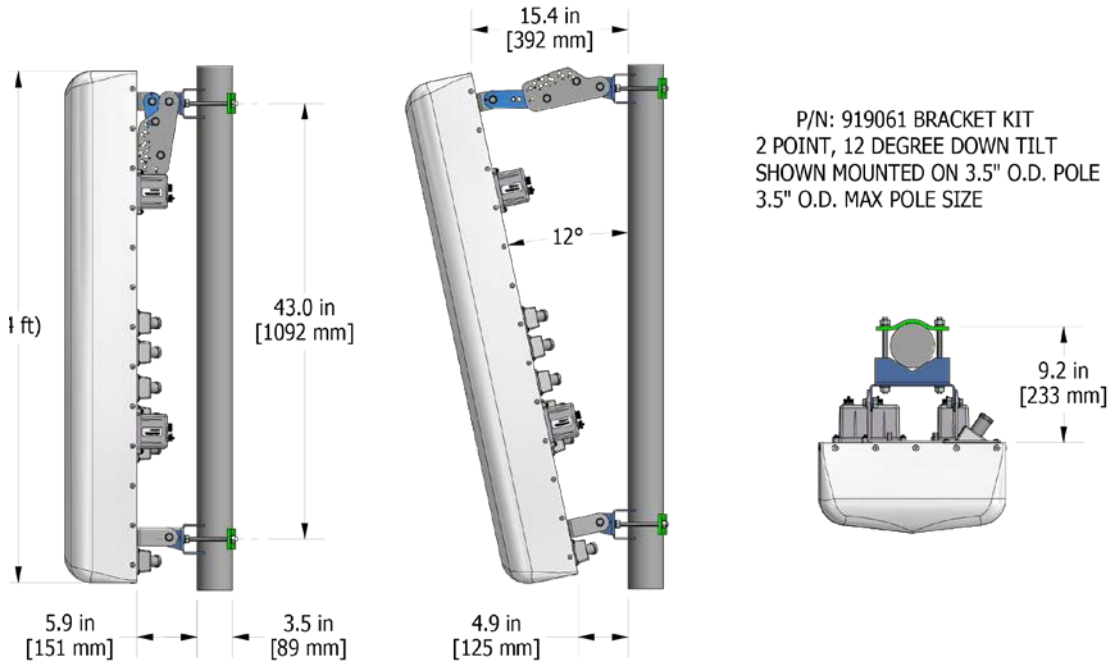


3/8"-16 UNC SST MOUNTING STUDS (4PLCS)
(HIGH STRENGTH, CORROSION RESISTANT)

BOTTOM VIEW



Standard Bracket Kit - 919061



Optional Bracket Kit

