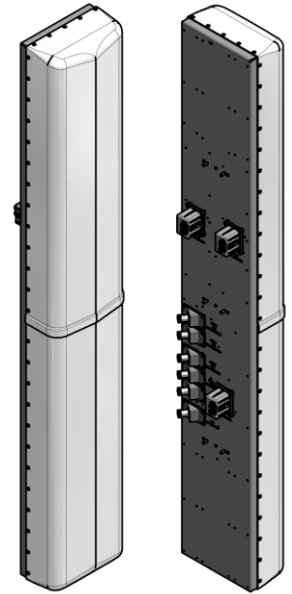


X7CQAP-880-V

+/- 45° polarization, (1) 698-896 MHz & (2) 1695-2180 MHz
Antenna, 96" Length, 80° Horizontal Pattern

Variable E-Tilt

- Separate housing and reflector construction optimizes RF performance while maximizing mechanical strength
- Good Passive Intermodulation (PIM) performance reduces harmful interference
- Independent tilt per array
- Suitable for LTE/CDMA/UMTS/GSM
- AISG 2.0 RET Control



ELECTRICAL SPECIFICATIONS

Frequency Band, MHz	698-824	824-896	1695-1880	1850-1990	1920-2180
Horizontal Beam Width, 3dB points	82°	71°	81°	86°	88°
Gain, dBi	15.4	16.3	17.1	16.9	16.9
Vertical Beam Width, 3dB points	9.3°	8.0°	6.3°	5.9°	5.7°
Upper Side Lobe Suppression, Typical, dB	<-16	<-16	<-16	<-16	<-16
Front-to-Back at 180°, dB	> 26		> 28		
Polarization	+/-45°		2x +/-45°		
Electrical Downtilt	0-8°		0°-11°		
VSWR/Return Loss, dB, Maximum	1.5:1/14.0		1.5:1/14.0		
Isolation Between Ports, dB, Minimum	>25		>26		
Co – Polar Isolation Inter Antenna	> 28		> 28		
Intermodulation (2x20w), IM3, dBc, Maximum	-153		-153		
Impedance, ohms	50		50		
Maximum Power Per Connector, CW (w)	500		250		

MECHANICAL SPECIFICATIONS

Dimensions, Length/Width/Depth	96.0/14.6/8.7 in (2438/372/222mm)
Connector (Quantity) Type	(6) total: (2) low band, (4) high Band , 7-16 DIN Female
Connector Torque	220-265 lbf-in (23-30 N-m)
Connector Location	Back
Antenna Weight	60.0 lbs. (27.3 Kg)
Bracket Weight	18.2 lbs. (8.25 Kg)
Standard Bracket Kit	919032
Mechanical Down tilt Range	0°-6°
Radome Material	High Strength Luran, UV Stabilized, ASTM D1925
Wind Survival	150 mph (241 km/h)
Front Wind Load @100mph	282.3 lbf (1256 N)
Equivalent Flat Plate @ 100mph	5.64 sq-ft (c=2)

RET INFORMATION

Model	RET-200
Mounting Location	Back
Communication Standard	AISG 2.0
Control System	PCU-1000



ORDER INFORMATION

MODEL	DESCRIPTION
X7CQAP-880-VR0	Remote motor adjust variable e-tilt (RET), EDT 0-8° low band and 0-11° high band

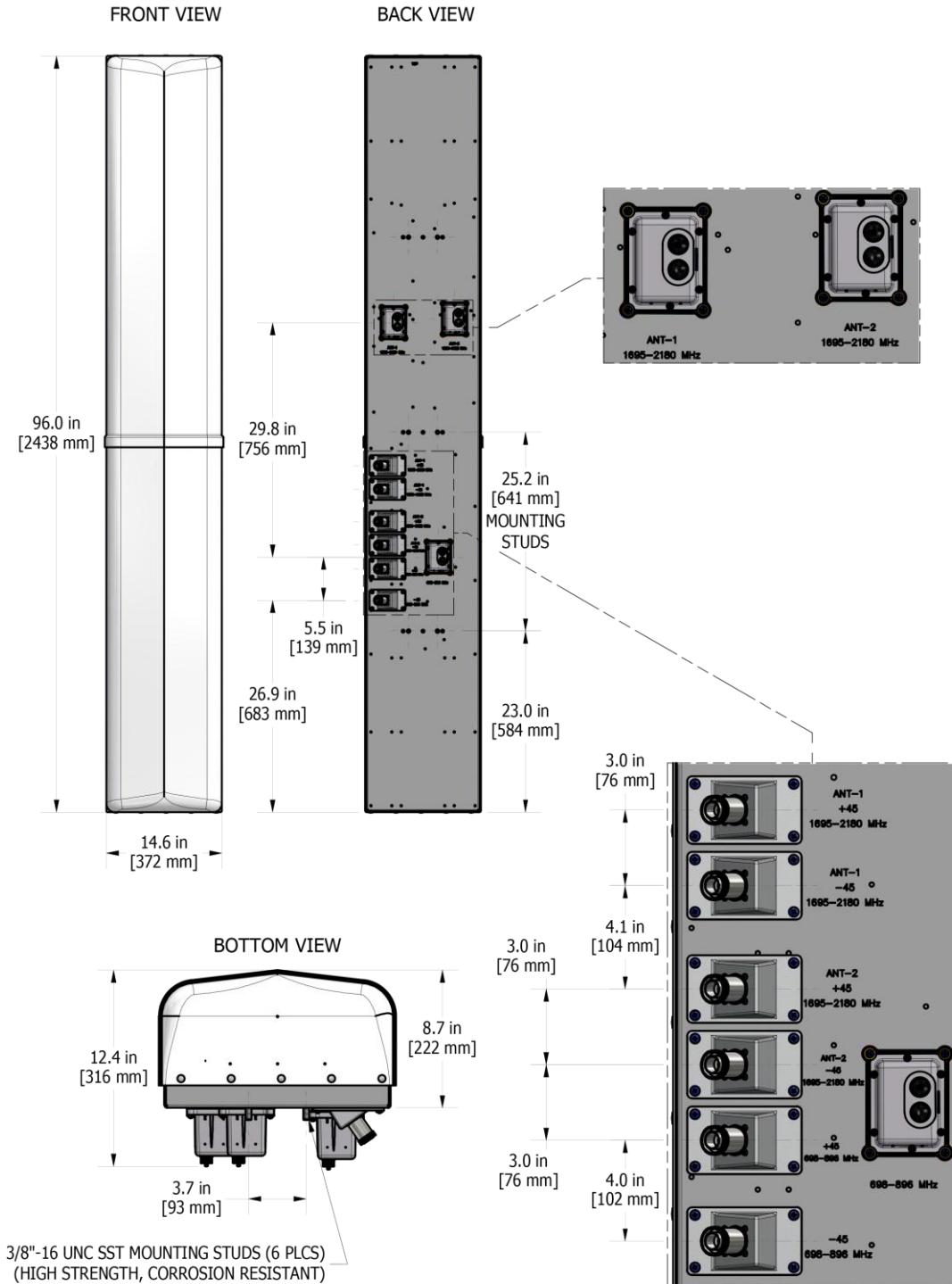
OPTIONAL BRACKET KIT

MODEL	DESCRIPTION
919049	Bracket Kit, 3 Point, 0-6° Down tilt, for 4.5" OD Pole

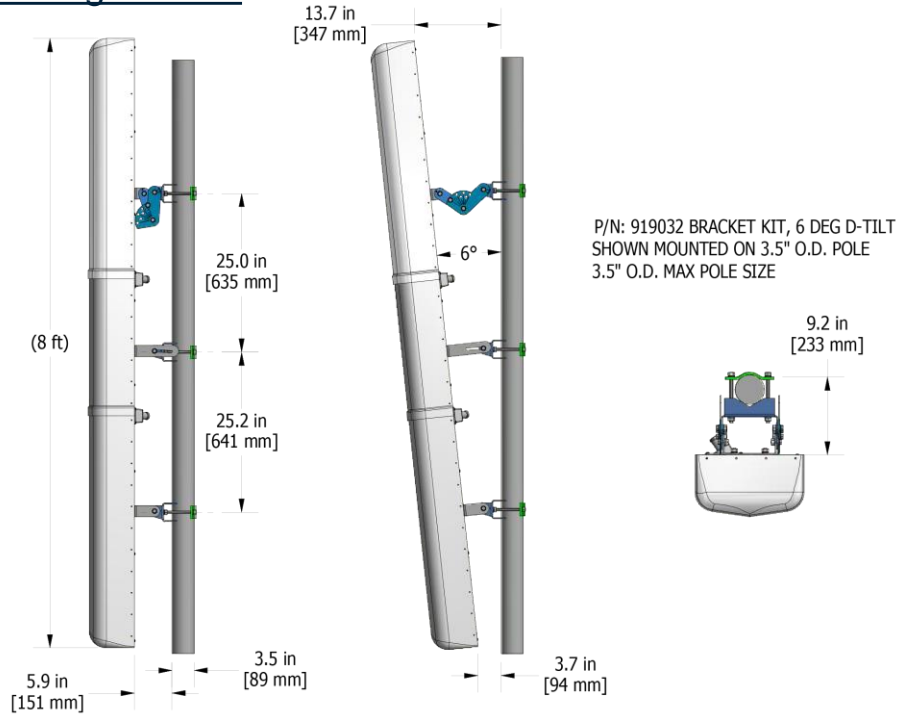
RET ORDERING INFORMATION

MODEL	DESCRIPTION
992100-CA013-SC	AISG Jumper Cable 1.3M Long M/F
992100-CA020-SC	AISG Jumper Cable 2.0M Long M/F

Mechanical Drawings



Standard Mounting Bracket



Optional Mounting Bracket

