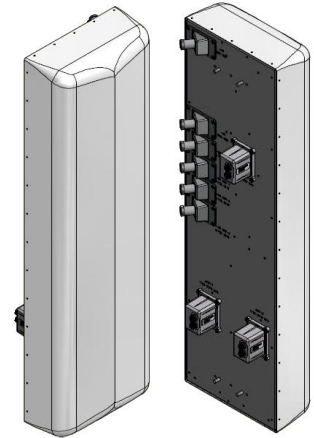


X7CQAP-465-V

1 Xpol Low Band (698-896 MHz) & 2 Xpol High Band (1695-2180 MHz, 50.5", 65° H-Beam

Variable E-Tilt, RET

- 6 Port Antenna:
 - 1 Low Band with separate tilt & 2 High Band Antennas, all with separate tilts in a single radome
- Suitable for LTE/CDMA/UMTS/GSM
- AISG 2.0 RET tilt control



ELECTRICAL SPECIFICATIONS

| Frequency Band, MHz | 698-824 | 824-896 | 1695-1880 | 1850-1990 | 1920-2180 |
|---|------------------|---------|-----------------|-----------|-----------|
| Horizontal Beam Width, 3dB points | 63° | 60° | 61° | 62° | 67° |
| Gain, dBi | 13.6 | 14.2 | 15.8 | 15.9 | 16.2 |
| Vertical Beam Width, 3dB points | 17.4° | 15.0° | 7.4° | 7.0° | 6.9° |
| Upper Side Lobe Suppression, Typical, dB | <-18 | <-18 | <-18 | <-18 | <-18 |
| Cross Polar Ratio (CPR) at Bore Sight, dB | >20 | >20 | >20 | >20 | >20 |
| Cross Polar Ratio (CPR) at Sector +/- 60°, dB | >10 | >5 | >8 | >10 | >10 |
| Front-to-Back at 180°, dB | > 28 | | > 28 | | |
| Polarization | +/- 45° | | 2x +/- 45° | | |
| Electrical Down Tilt | 0°-12° or 4°-16° | | 0°-6° or 4°-10° | | |
| VSWR/Return Loss, dB, Maximum | 1.5:1/-14.0 | | 1.5:1/-14.0 | | |
| Isolation Between Ports, dB, Minimum | > 28 | | > 28 | | |
| Co – Polar Isolation Inter Antenna | N/A | | > 28 | | |
| Intermodulation (2x20w), IM3, dBc, Maximum | -153 | | -153 | | |
| Impedance, ohms | 50 | | 50 | | |
| Maximum Power Per Connector, CW (w) | 500 | | 250 | | |

MECHANICAL SPECIFICATIONS

| | |
|--------------------------------|--|
| Dimensions, Length/Width/Depth | 50.5/14.6/7.1 in. (1282/371/180mm) |
| Connector Quantity Type | (6 total: 2 low, 4 high band) 7-16 DIN Female |
| Connector Torque | 220-265 lbf-in (23-30 N-m) |
| Connector Location | Back |
| Antenna Weight | 34.0 lbs (15.4 kg) |
| Bracket Weight | 13.2 lb. |
| Standard Bracket Kit | 919061 (Included) |
| Mechanical Downtilt Range | 0°-12° |
| Radome Material | High Strength Luran, UV Stabilized, ASTM D1925 |
| Wind Survival | 150 mph (241 km/h) |
| Front Wind Load @100mph | 127.2 lbf (566.0 N) @100mph |
| Equivalent Flat Plate @ 100mph | 2.53 sq-ft (c=2) @ 100mph |

RET INFORMATION

| | |
|------------------------|------------------|
| Model | CSS-RET-200 |
| Mounting Location | Rear of Antenna |
| Weight | 1.2 lb (0.54 kg) |
| Communication Standard | AISG 2.0 |
| Control System | CSS-PCU-220 |



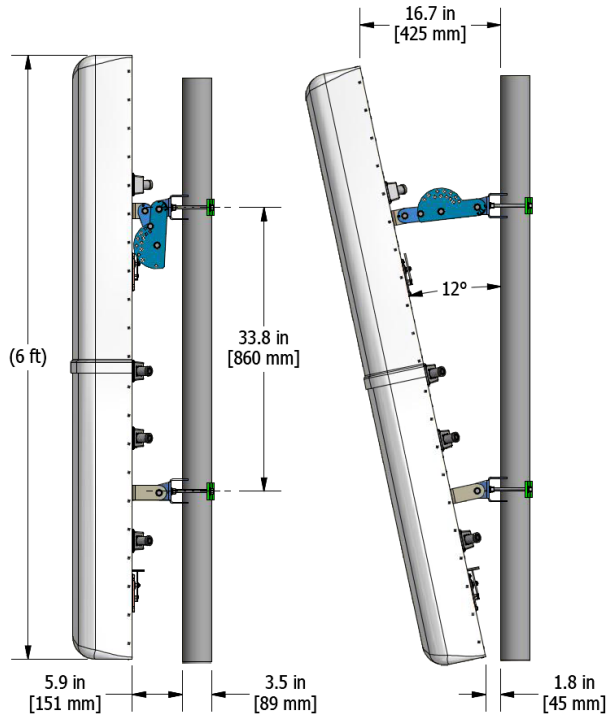
ORDER INFORMATION

| MODEL | DESCRIPTION |
|----------------|---|
| X7CQAP-465-VR0 | Remote motor adjust variable e-tilt (RET), EDT 0-12° low band and 0-6° high band |
| X7CQAP-465-VR4 | Remote motor adjust variable e-tilt (RET), EDT 4-16° low band and 4-10° high band |

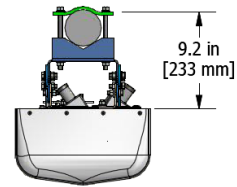
RET Ordering Information

| MODEL | DESCRIPTION |
|-----------------|------------------------------------|
| 992100-CA005-SC | AISG Jumper Cable, M/F, 0.5 meters |

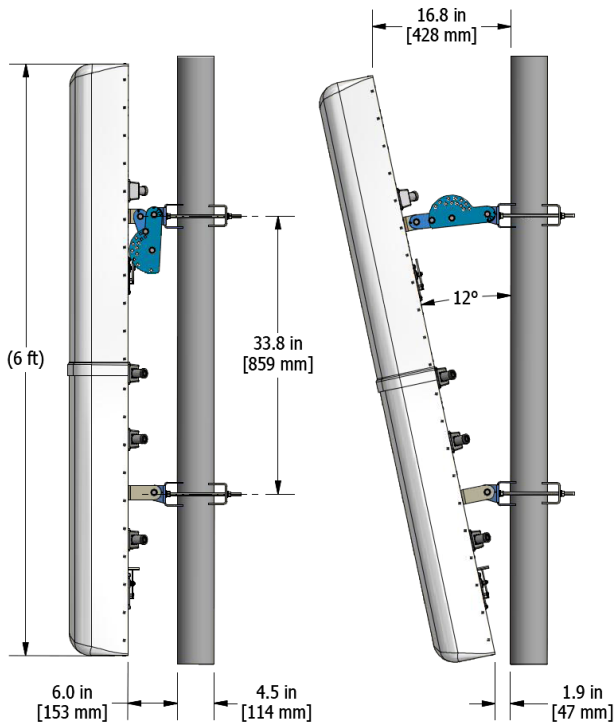
Standard Bracket Kit



CSS P/N: 919011 BRACKET KIT
 2 POINT, 12 DEGREE DOWN TILT
 SHOWN MOUNTED ON 3.5" O.D. POLE
 3.5" O.D. MAX POLE SIZE



Optional Bracket Kit



CSS P/N: 919036 BRACKET KIT
 2 POINT, 12 DEGREE DOWN TILT
 SHOWN MOUNTED ON 4.5" O.D. POLE
 4.5" O.D. MAX POLE SIZE

