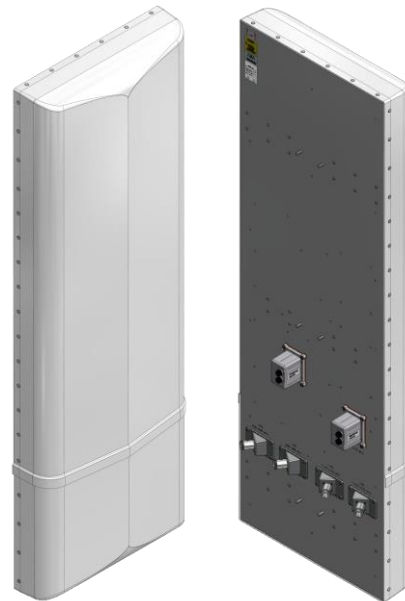


## X7CAP-FRO-640-V

X-Pol, 698-896/1695-2180MHz, Fast Roll Off 40° H-Beams  
RET

- Macro Cell Antenna
- Fast Roll Off (FRO) Beams
- Suitable for LTE/CDMA/UMTS/GSM
- AISG v2.0 RET Control



### ELECTRICAL SPECIFICATIONS

Frequency Band, MHz	698-824	824-896	1695-1880	1850-1990	1920-2180
Horizontal Beam width, 3dB points	42	36	38	38	38
Gain, dBi	17.1	17.7	19.3	19.0	19.1
Vertical Beam width, 3dB points	14.2°	12.6°	6.3	6.1°	5.9°
Front-to-Back at 180°, dB	30		30		
Upper Side lobe Suppression, Typical, dB	< -18		< -18		
Polarization	+/-45°		+/-45°		
Electrical Down tilt, (See ordering Information)	0°-10° or 4°-14°		0° to 6° or 4°-10°		
VSWR/Return Loss, dB, Maximum	1.5:1/-14.0		1.5:1/-14.0		
Isolation Between Ports, dB, Minimum	-28		-28		
Intermodulation (2x20w), IM3, dBc, Maximum	-150		-150		
Impedance, ohms	50		50		
Maximum Power Per Connector, CW (w)	500		250		

## MECHANICAL SPECIFICATIONS

Dimensions, Length/Width/Depth	72.0/24.0/7.2 in (1829/610/181 mm)
Connector (Quantity) Type	(4) 7-16 DIN Female
Connector Torque	220-265 lbf-in (23-30 N-m)
Connector Location	Back
Antenna Weight	62.2 lbs (28.2 kg)
Bracket Weight	18.2 lb (8.2 kg)
Standard Bracket Kit	919032 ( Included )
Mechanical Downtilt Range	0-6°
Radome Material	High Strength Luran, UV Stabilized, ASTM D1925
Wind Survival	120 mph (193 km/h)
Front Wind Load	298.44 lbf (1324.57 N) @100mph
Equivalent Flat Plate	5.94 sq-ft (c=2) @ 100mph

## RET INFORMATION

Model	RET-200
Mounting Location	Rear of Antenna
Weight	1.2 lb (0.54 kg)
Communication Standard	AISG 2.0
Control System	PCU-220



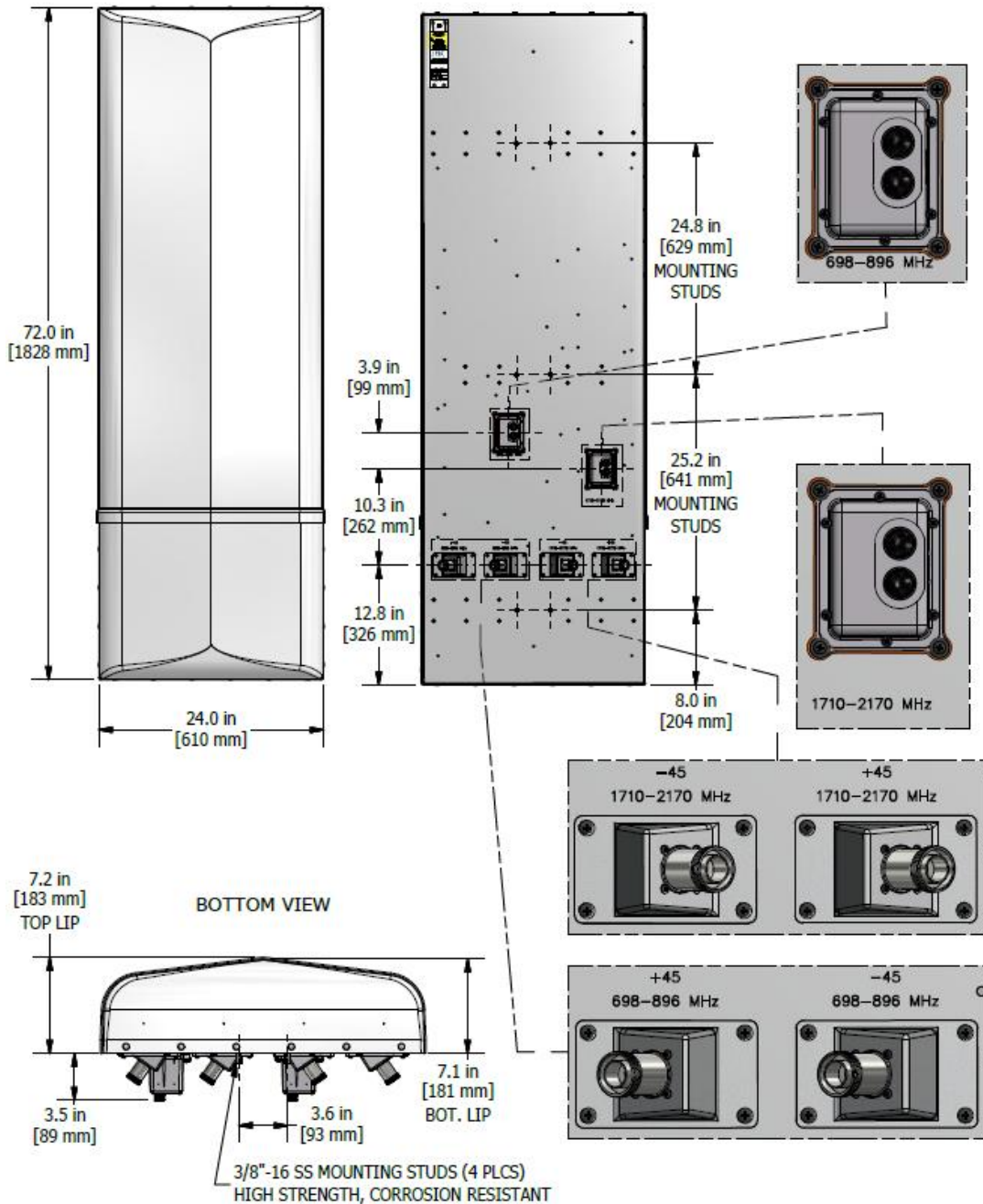
## ORDER INFORMATION

MODEL	DESCRIPTION
X7CAP-FRO-640-VR0	Remote motor adjust variable e-tilt, EDT 0-10° low band and 0-6° high band, w/4 back connectors
992100-CA013-SC	AISG Jumper Cable, M/F, 1.3 meters

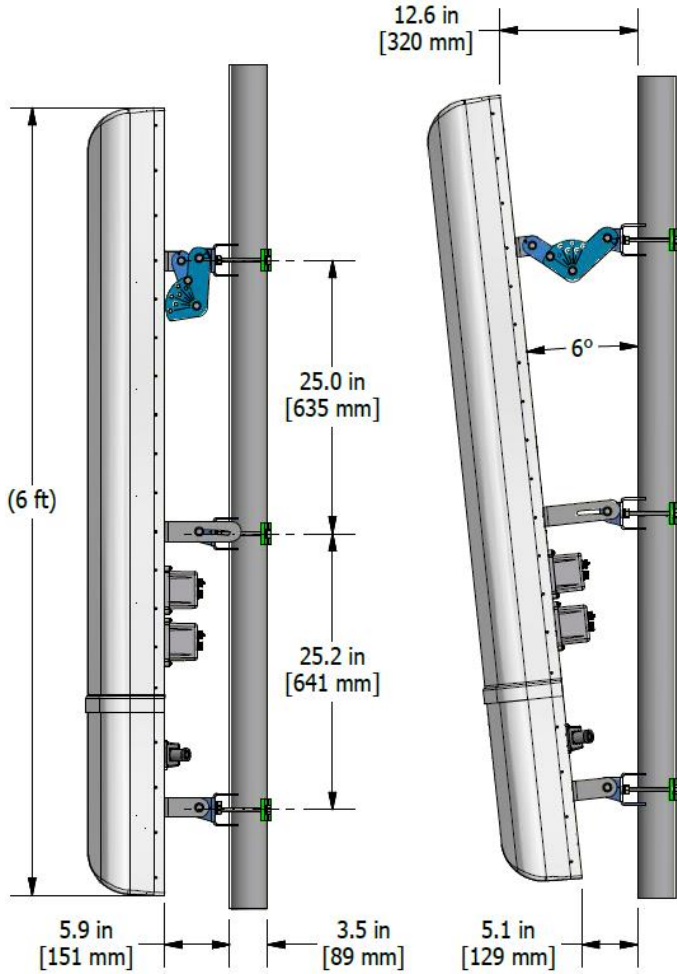
### Mechanical Outline Drawing RET Version

FRONT VIEW

BACK VIEW



### Standard Bracket Kit



CSS P/N: 919032 BRACKET KIT, 6 DEG D-TILT  
 SHOWN MOUNTED ON 3.5" O.D. POLE  
 3.5" O.D. MAX POLE SIZE

