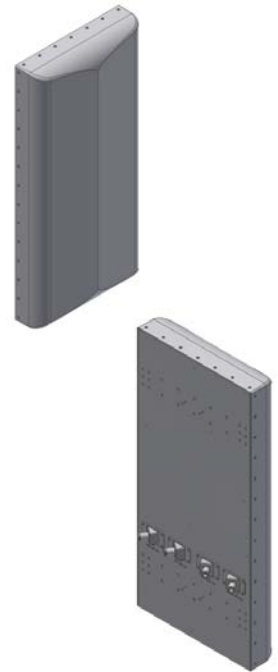


X7CAP-FRO-440

X-Pol, 698-896/1710-2170MHz, Fast Roll Off 40° H-Beams

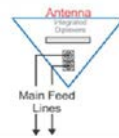
- Macro Cell Antenna
- Fast Roll Off (FRO) Beams
- Suitable for LTE/CDMA/UMTS/GSM
- Optional Internal Diplexers



Available with Integrated Diplexers

Reduces mainline cables

Eliminates external tower devices



ELECTRICAL SPECIFICATIONS

Frequency Band, MHz	698-824	824-896	1710-1880	1850-1990	1920-2170
Horizontal Beamwidth, 3dB points	41	36	38	38	38
Gain, dBi	16.3	17.5	19.0	19.0	19.4
Vertical Beamwidth, 3dB points	16.7	14.5	7.5	7.0	6.5
Front-to-Back at 180°, dB	30		30		
Upper Sidelobe Suppression, Typical, dB	18		18		
Polarization	+/-45°		+/-45°		
Electrical Downtilt, Fixed	0,2,4,6,8,10°		0,2,4,6,8,10°		
VSWR/Return Loss, dB, Maximum	1.5:1/14.0		1.5:1/14.0		
Isolation Between Ports, dB, Minimum	30		30		
Intermodulation (2x20w), IM3, dBc	-150		-150		
Impedance, ohms	50		50		
Maximum Power Per Connector, CW (w)	500		250		
Lightning Protection	DC Ground		DC Ground		

MECHANICAL SPECIFICATIONS

Dimensions, Length/Width/Depth	50.5/24/7.0 in (1282/610/178 mm)
Connector (Quantity) Type non- IP Model	(2) or (4) 7-16 DIN Female
Connector Torque	220-265 lbf-in (23-30 N-m)
Connector Location	Back
Antenna Weight	40.0 lbs (18.14 kg)
Bracket Weight	13.02 lbs
Standard Bracket Kit	P/N 919046 (Included)
Mechanical Downtilt Range	0-9°
Radome Material	High Strength Luran, UV Stabilized, ASTM D1925
Wind Survival	120 mph (193 km/h)
Front Wind Load @100mph	209 lbf (931 N)
Equivalent Flat Plate @ 100mph	4.17 sq-ft (c=2) @ 100mph

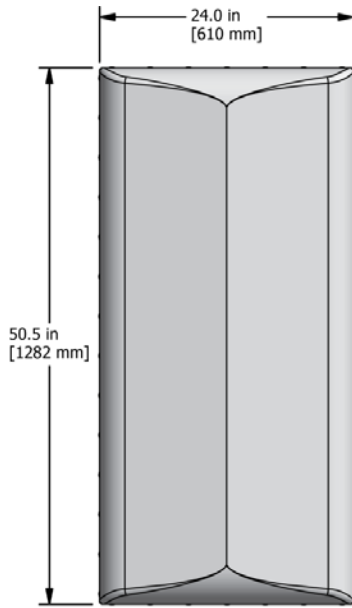
ORDER INFORMATION

MODEL	DESCRIPTION
X7CAP-FRO-440-xy	Antenna with four (4) back 7-16 DIN Female Connectors
X7CAP-FRO-440-xyIP	Antenna with two (2) back 7-16 DIN Female Connectors with integrated diplexers

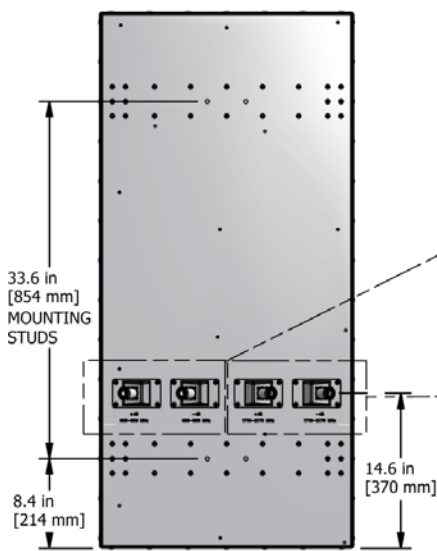
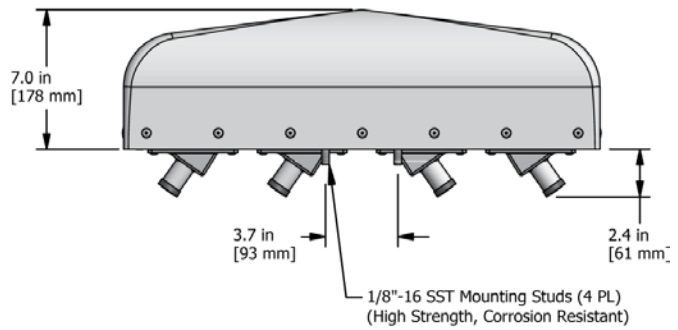
x defines the low band electric tilt
y defines the high band electric tilt

Mechanical Outline Drawing

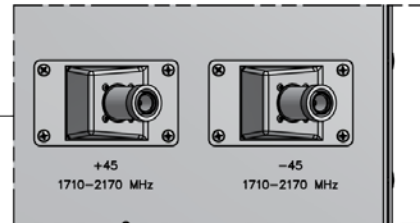
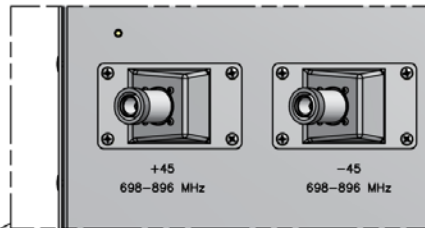
X7CAP-FRO-440



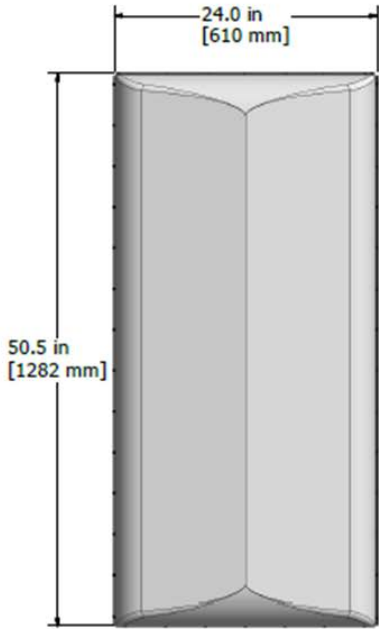
FRONT VIEW



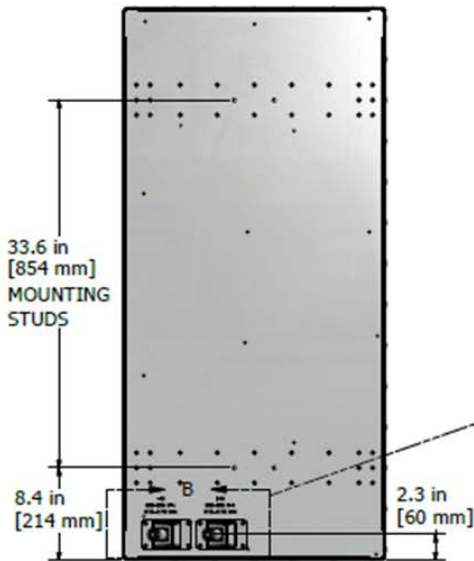
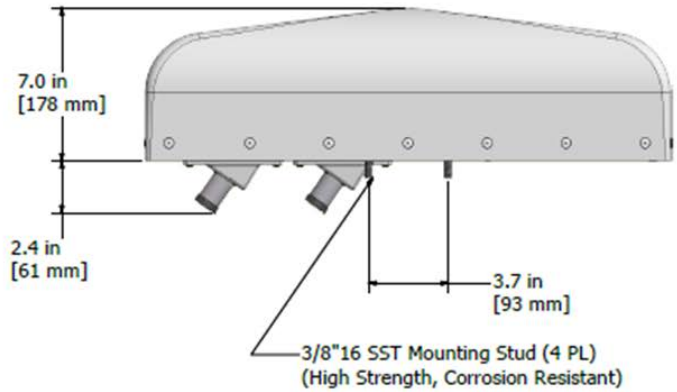
BACK VIEW



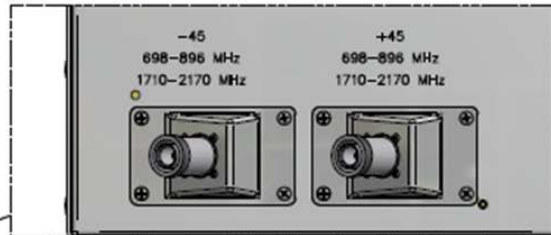
X7CAP-FRO-440-I



FRONT VIEW



BACK VIEW



DETAIL B