

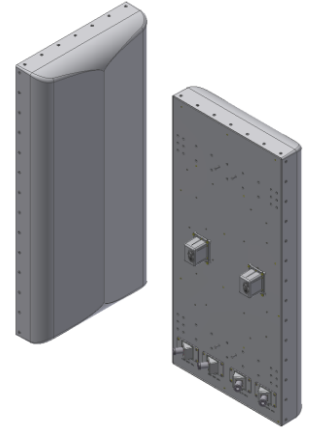
X7CAP-FRO-440-V

Antenna Systems Group



X-polarization, 698-896 / 1695-2180 MHz,
Fast roll-off, 40° H-beams
RET

- Macro cell antenna
- Fast roll-off (FRO) beams
- Suitable for LTE/CDMA/UMTS/GSM
- AISG v2.0 RET tilt control



ELECTRICAL SPECIFICATIONS

Frequency band, MHz	698-824	824-896	1695-1880	1850-1990	1920-2180
Horizontal beamwidth, 3 dB points	42°	36°	40°	28°	38°
Gain, dBi	16.3	17.1	18.3	18.1	18.4
Vertical beamwidth, 3 dB points	17.2°	15.4°	7.5	7.1°	6.9°
Front-to-back at 180°, dB	30	30	30	30	30
Upper sidelobe suppression, typical, dB	< -18	< -18	< -18	< -18	< -18
Polarization	+/-45°		+/-45°		
Electrical downtilt, fixed (see Order Information)	0°-12° or 4°-16°		0°-6° or 4°-10°		
VSWR / return loss, dB, maximum	1.5:1/14.0		1.5:1/14.0		
Isolation between ports, dB, minimum	>28		>28		
Intermodulation (2 x 20 w), IM3, dBc, maximum	-150		-150		
Impedance, ohms	50		50		
Maximum power per connector, CW (W)	500		250		

MECHANICAL SPECIFICATIONS

Dimensions, length/width/depth	50.5/24.0/7.0 in. (1283/610/178 mm)
Connector (quantity) type	(4) 7-16 DIN female
Connector torque	220-265 lbf-in (23-30 N-m)
Connector location	Back
Antenna weight	46.3 lb (21 kg)
Bracket weight	14 lb (6.4 kg)
Standard bracket kit	91904 (included)
Mechanical downtilt range	0-9°
Radome material	High strength Luran®, UV stabilized, ASTM D1925
Wind survival	120 mph (193 km/h)
Front wind load @ 100 mph	209.1 lbf (930.4 N)
Equivalent flat plate @ 100 mph	4.17 sq ft (c=2)

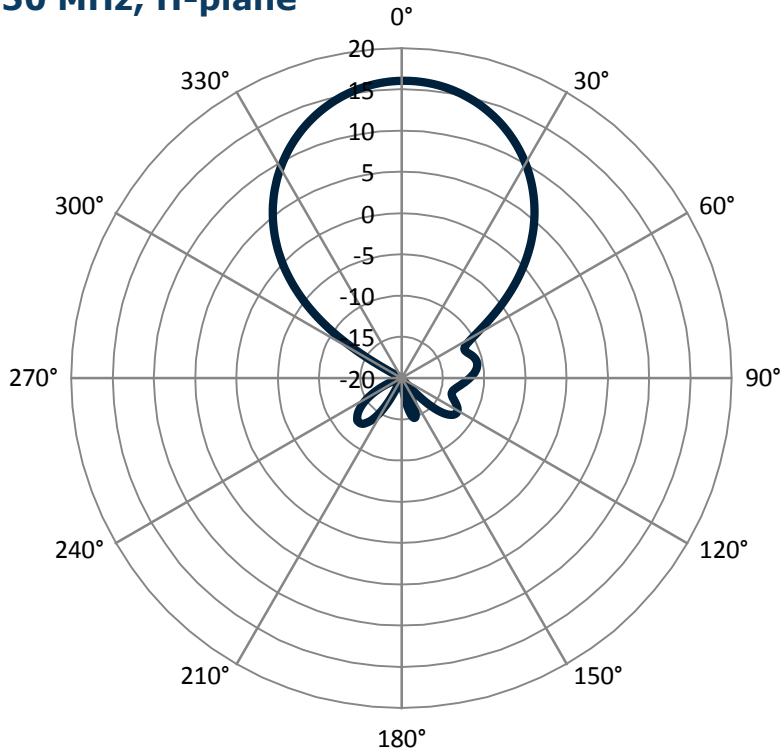
RET INFORMATION

Model	RET-200
Mounting Location	Rear of antenna
Weight	1.2 lb (0.54 kg)
Communication standard	AISG 2.0
Control system	PCU-220

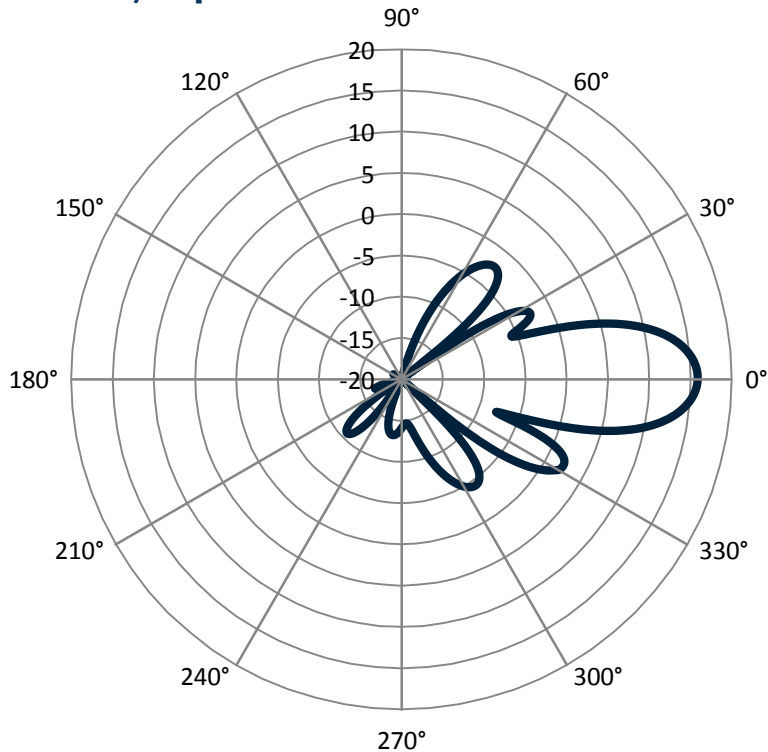
**ORDER INFORMATION**

MODEL	DESCRIPTION
X7CAP-FRO-440-VR0	Remote motor adjust variable E-tilt, EDT 0-12° low band and 0-6° high band, with 4 back connectors
X7CAP-FRO-440-VR4	Remote motor adjust variable E-tilt, EDT 4-16° low band and 4-10° high band, with 4 back connectors
992100-CA005-SC	AISG jumper cable, M/F, 0.5 meters

Pattern plot: 750 MHz, H-plane



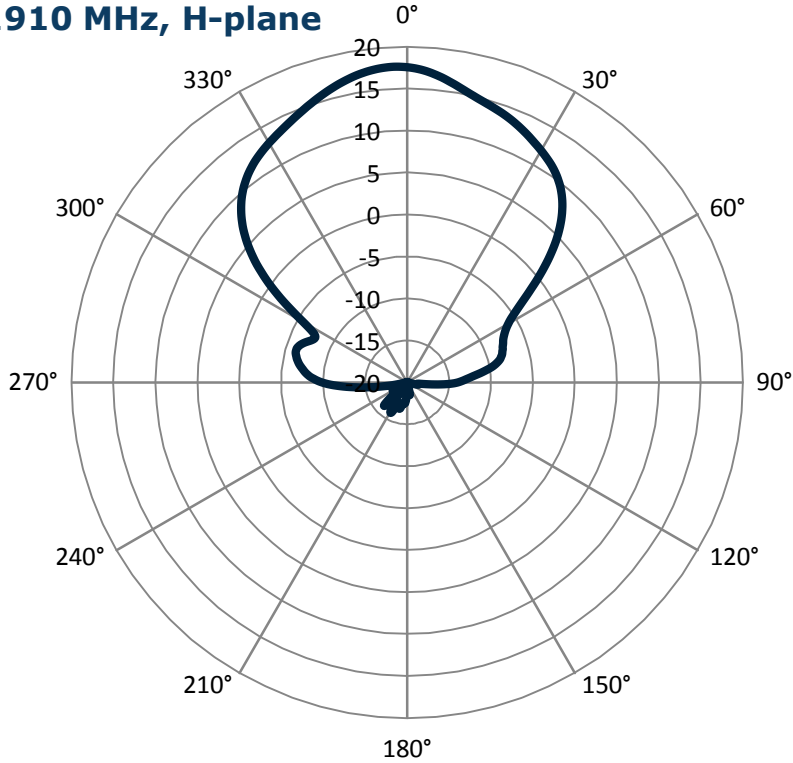
Pattern plot: 750 MHz, E-plane



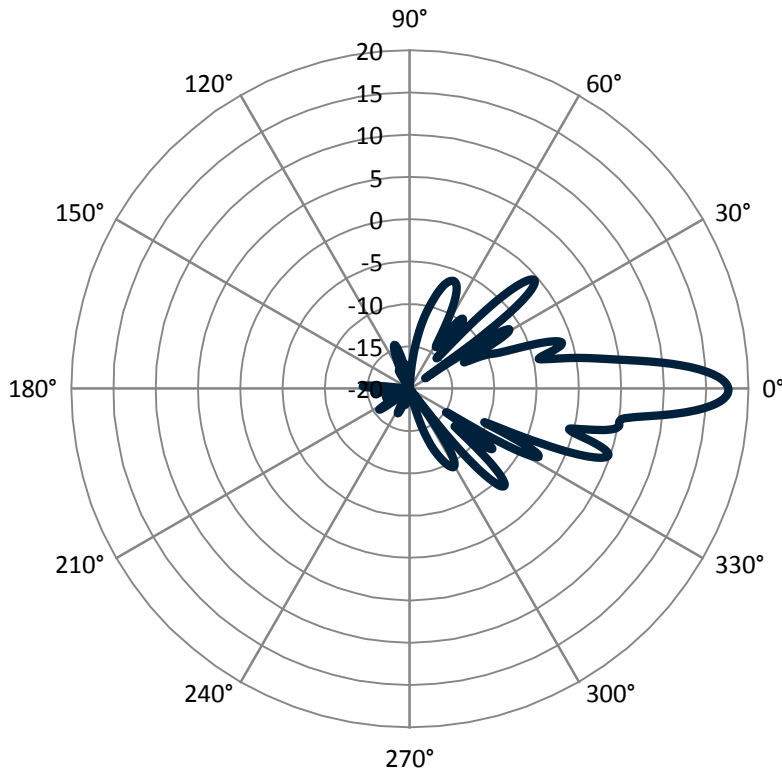
X7CAP-FRO-440-V

Antenna Systems Group

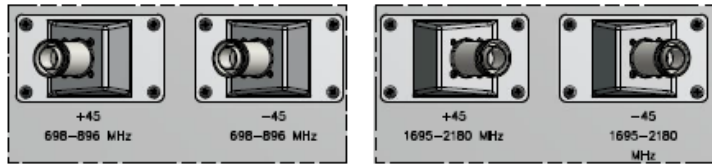
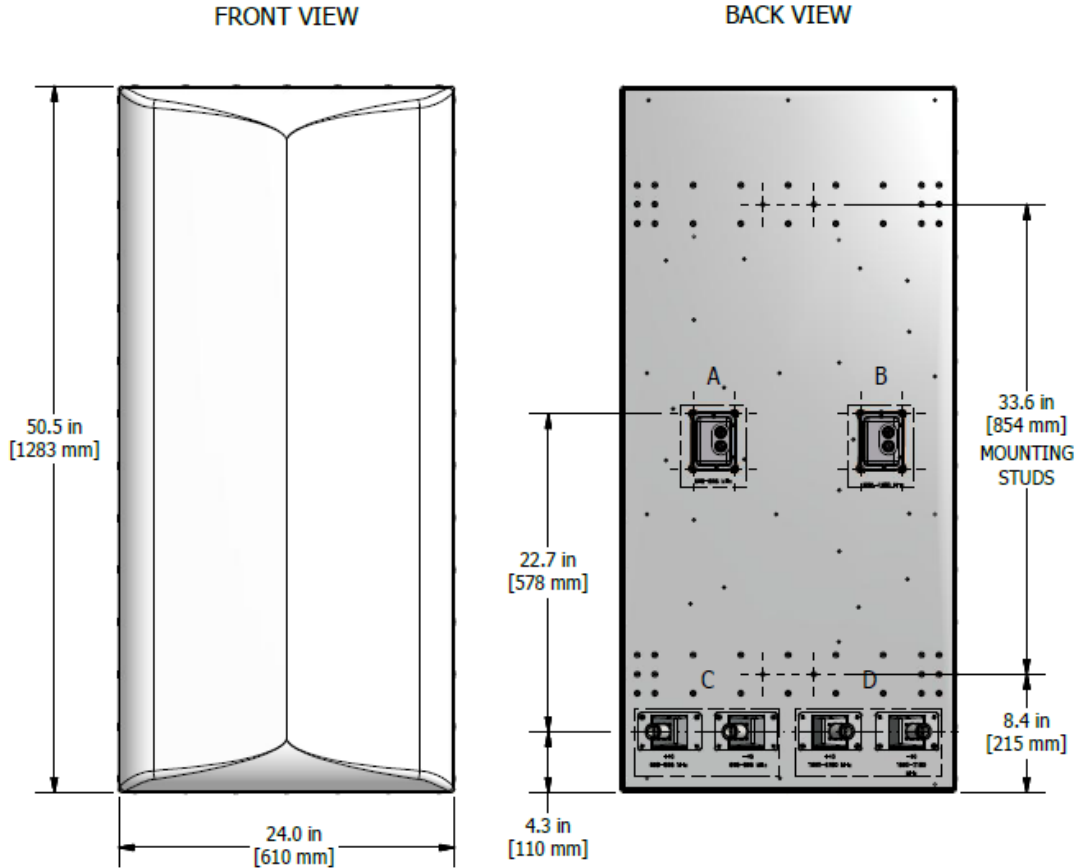
Pattern plot: 1910 MHz, H-plane



Pattern plot: 1910 MHz, E-plane



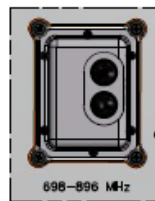
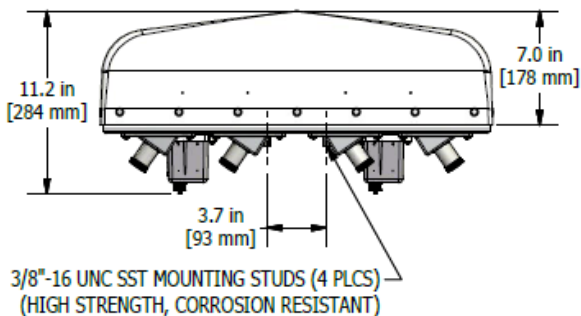
Mechanical outline drawing: RET version



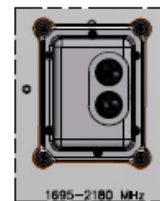
BOTTOM VIEW

DETAIL C
SCALE 7/32

DETAIL D
SCALE 7/32



DETAIL A
SCALE 7/32



DETAIL B
SCALE 7/32

X7CAP-FRO-440-V

Antenna Systems Group

Standard bracket kit

