

X7CAP-86-880-V

Antenna Systems Group

X-Pol 698-896 MHz 8' antenna with a 1695-2180 MHz 6' antenna, both 80° H-Beam

RET

- Macro cell antenna
- Suitable for LTE/CDMA/UMTS/GSM
- AISG 2.0 RET control
- AWS-3 ready



ELECTRICAL SPECIFICATIONS

Frequency band, MHz	698-824	824-896	1695-1880	1850-1990	1920-2180
Horizontal beamwidth, 3 dB points	89°	81°	85°	86°	86°
Gain, dBi (average)	14.8	15.4	17.1	17.5	17.4
Vertical beamwidth, 3 dB points	9.7°	8.7°	6.4°	6.2°	6.0°
Front-to-back at 180°, dB	>28		>28		
Upper sidelobe suppression, dB (typical)	<-18		<-18		
Polarization	+/-45°		+/-45°		
Electrical downtilt (see Order Information)	0°-6° or 4°-10°		0°-6° or 4°-10°		
VSWR / return loss, dB (maximum)	1.5:1/-14.0		1.5:1/-14.0		
Isolation between ports, dB (minimum)	>28		>28		
Intermodulation (2 x 20 w), IM3, dBc, maximum	-150		-150		
Impedance, ohms	50		50		
Maximum power per connector, CW (w)	500		250		

MECHANICAL SPECIFICATIONS

Dimensions, length/width/depth	96/14.6/8.8 in. (2438/372/226 mm)
Connector (quantity)	(4) 7-16 DIN female
Connector torque	220-265 lbf-in (23-30 N-m)
Connector location	Back
Antenna weight	51.4 lb (23.4 kg)
Bracket weight	18.2 lb (8.25 kg)
Standard bracket kit	919032 (included)
Mechanical downtilt range	0°-6°
Radome material	High strength Luran®, UV stabilized, ASTM D1925
Wind survival	150 mph (241 km/h)
Front wind load @ 100mph	282.0 lbf (1255.2 N)
Equivalent flat plate @ 100mph	5.62 sq ft (c=2)

RET INFORMATION

Model	RET-200
Mounting location	Rear of antenna
Weight	1.2 lb (0.54 kg)
Communication standard	AISG 2.0
Control system	PCU-1000

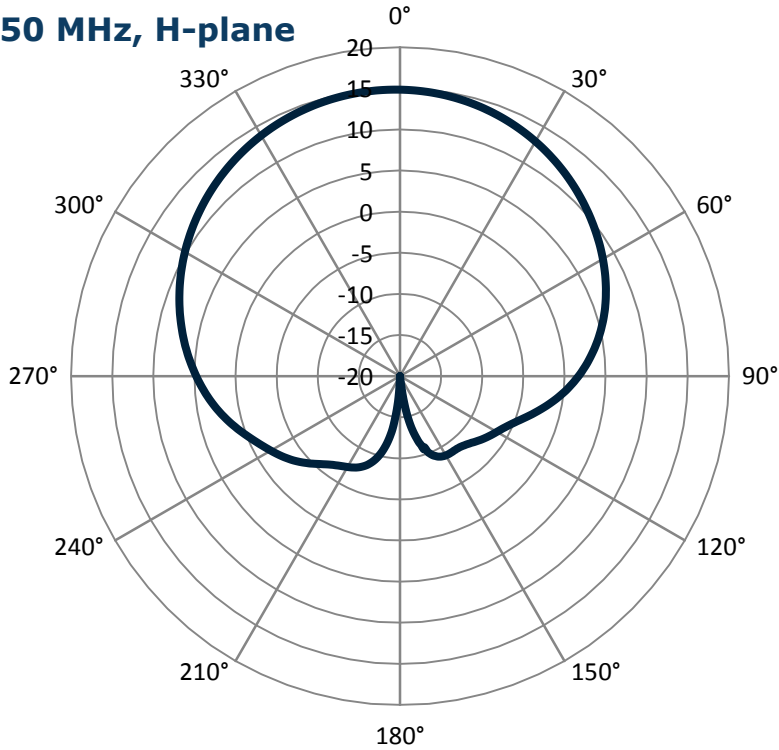
**ORDER INFORMATION**

MODEL	DESCRIPTION
X7CAP-86-880-VR0	Remote motor adjust variable e-tilt, EDT 0-6° low band and 0-6° high band, w/4 back connectors
919049	Optional bracket kit, 3-point, 6 deg D-tilt, for 4.5" OD pole
992100-CA013-SC	AISG jumper cable, M/F, 1.3 meters

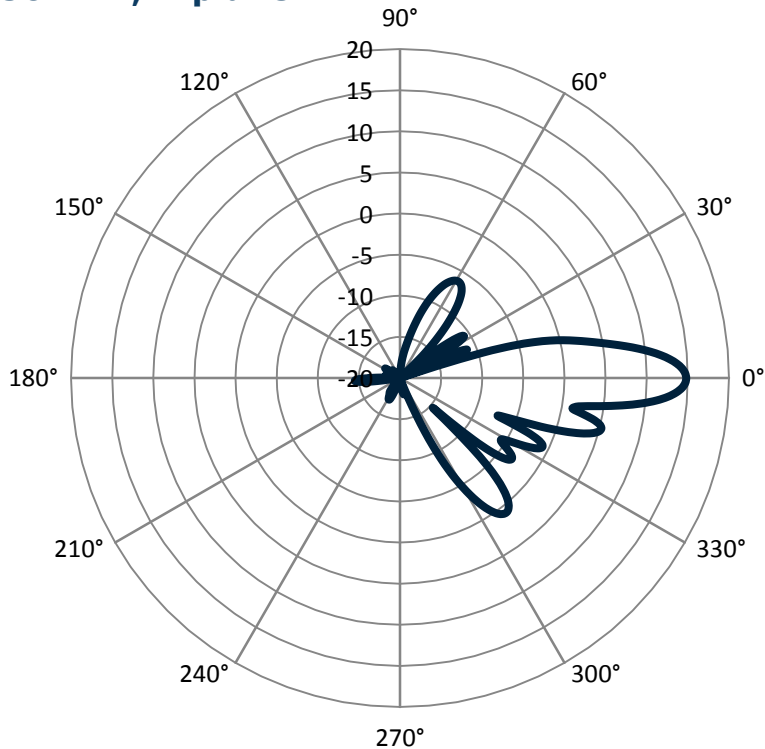
X7CAP-86-880-V

Antenna Systems Group

Pattern plot: 750 MHz, H-plane



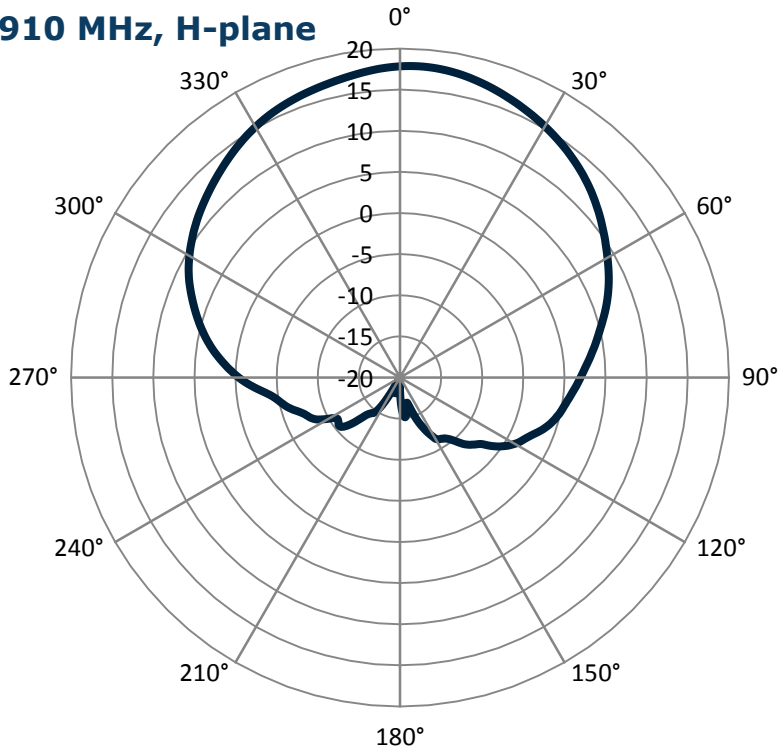
Pattern plot: 750 MHz, E-plane



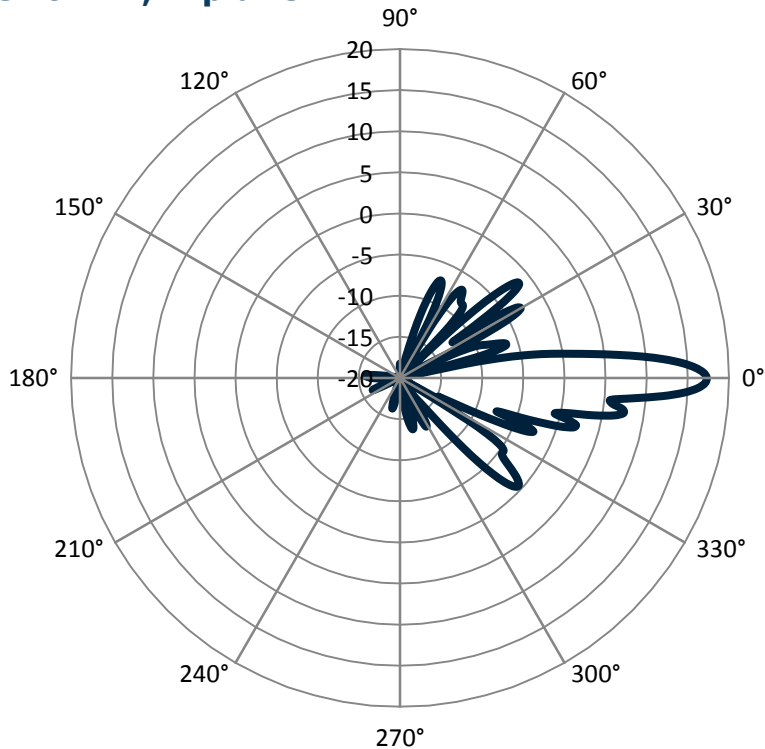
X7CAP-86-880-V

Antenna Systems Group

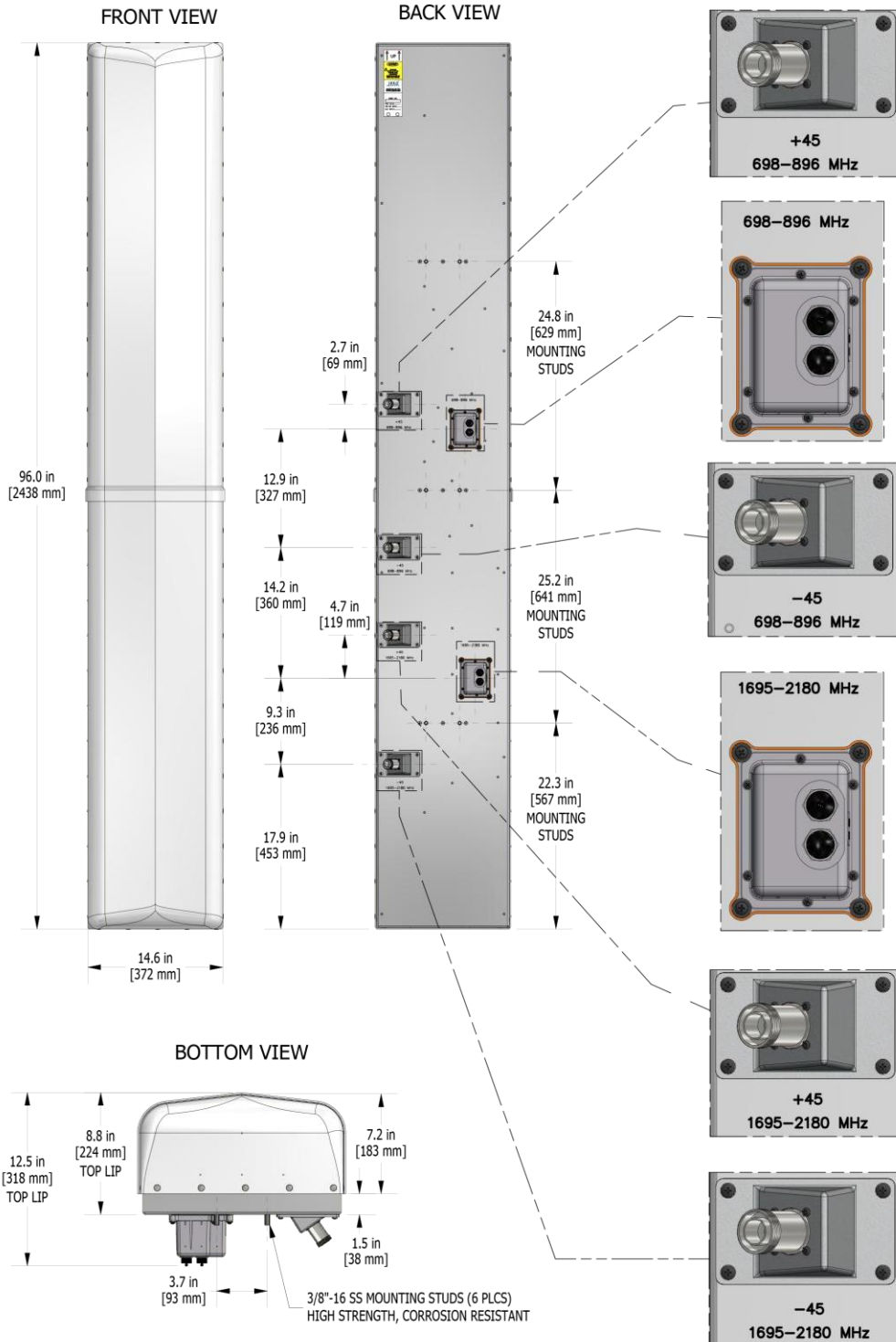
Pattern plot: 1910 MHz, H-plane



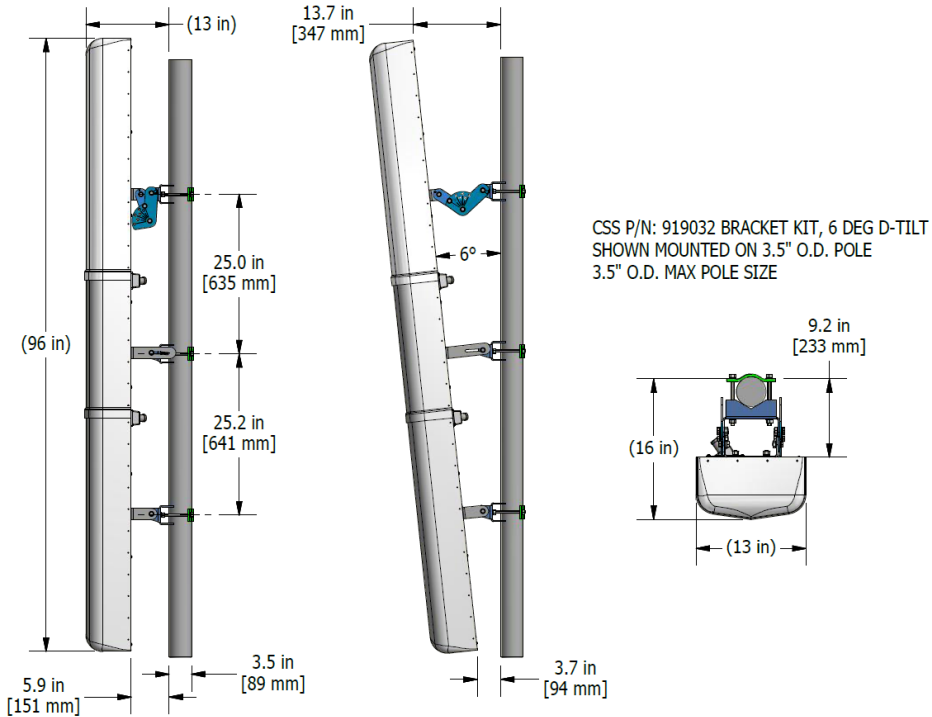
Pattern plot: 1910MHz, E-plane



Mechanical outline drawing



Standard bracket kit



Optional bracket kit

