

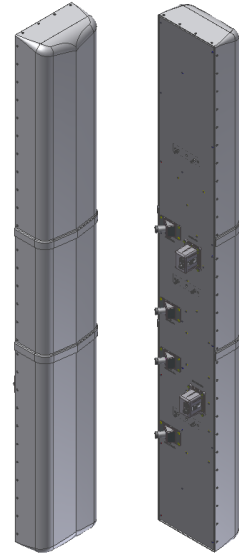
X7CAP-86-865-V

Antenna Systems Group



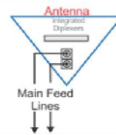
X-pol 698-896 MHz 8' antenna with a 1710-2170 MHz 6' antenna, both 65° H-beam
Variable E-tilt RET

- Macro cell antenna
- Suitable for LTE/CDMA/UMTS/GSM
- AISG 2.0 RET control
- Optional internal diplexers



Available with Integrated Diplexers

Reduces mainline cables
Eliminates external tower devices



ELECTRICAL SPECIFICATIONS

Frequency band, MHz	698-824	824-896	1710-1880	1850-1990	1920-2170
Horizontal beamwidth, 3 dB points	69°	65°	64	61°	61
Gain, dBi	16.1	16.4	18.2	18.3	18.4
Vertical beamwidth, 3 dB points	9.5°	8.3°	5.9°	5.9°	5.6°
Front-to-back at 180°, dB	28		30		
Upper sidelobe suppression, typical, dB	>28	>28	>28	>28	>28
Polarization	+/-45°		+/-45°		
Electrical downtilt (see Order Information)	0°-6° or 4°-10°		0°-6° or 4°-10°		
VSWR / return loss, dB, maximum	1.5:1/-14.0		1.5:1/-14.1		
Isolation between ports, dB, minimum	>28		>28		
Intermodulation (2 x 20 w), IM3, dBc, maximum	-150		-150		
Impedance, ohms	50		50		
Maximum power per connector, CW (w)	250		500		

MECHANICAL SPECIFICATIONS

Dimensions, length/width/depth	96/12.5/7.3 in. (2438/372/226 mm)
Connector (quantity)	(4) 7-16 DIN female or (2) for – IPB version
Connector torque	220-265 lbf·in (23-30 N·m)
Connector location	Back or bottom (for internally diplexed version)
Antenna weight	53.6 lb (24.31 kg)
Bracket weight	18.2 lb (8.25 kg)
Standard bracket kit	919032 (included)
Mechanical downtilt range	0°-6°
Radome material	High strength Luran®, UV stabilized, ASTM D1925
Wind survival	150 mph (241 km/h)
Front wind load @ 100 mph	241.8 lbf (1075.6 N)
Equivalent flat plate @ 100mph	4.81 sq ft (c=2)

RET INFORMATION

Model	RET-200
Mounting location	Rear of antenna
Weight	1.2 lb (0.54 kg)
Communication standard	AISG 2.0
Control system	PCU-1000

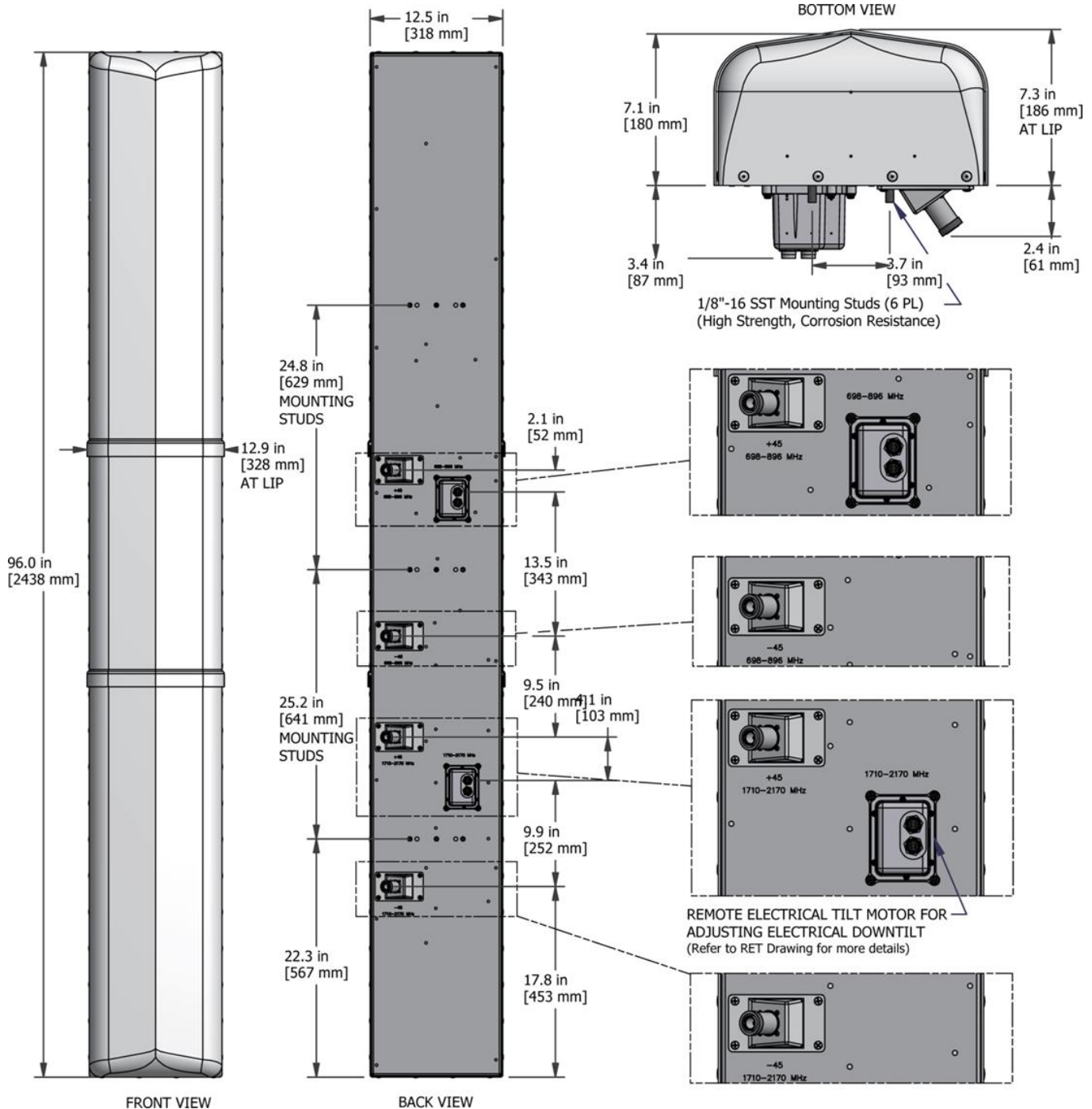
**ORDER INFORMATION**

MODEL	DESCRIPTION
X7CAP-86-865-VR0	Remote motor adjust variable E-tilt, EDT 0-6° low band and 0-6° high band, with 4 back connectors
X7CAP-865-VR0-IPB	Remote motor adjust variable E-tilt, EDT 0-6° low band and 0-6° high band, with int. DBC & 2 bottom connectors
X7CAP-86-865-VR4	Remote motor adjust variable E-tilt, EDT 4-10° low band and 4-10° high band, with 4 back connectors
919049	Optional bracket kit, 3-point, 6 deg D-tilt, for 4.5" OD pole
992100-CA013-SC	AISG jumper cable, M/F, 1.3 meters

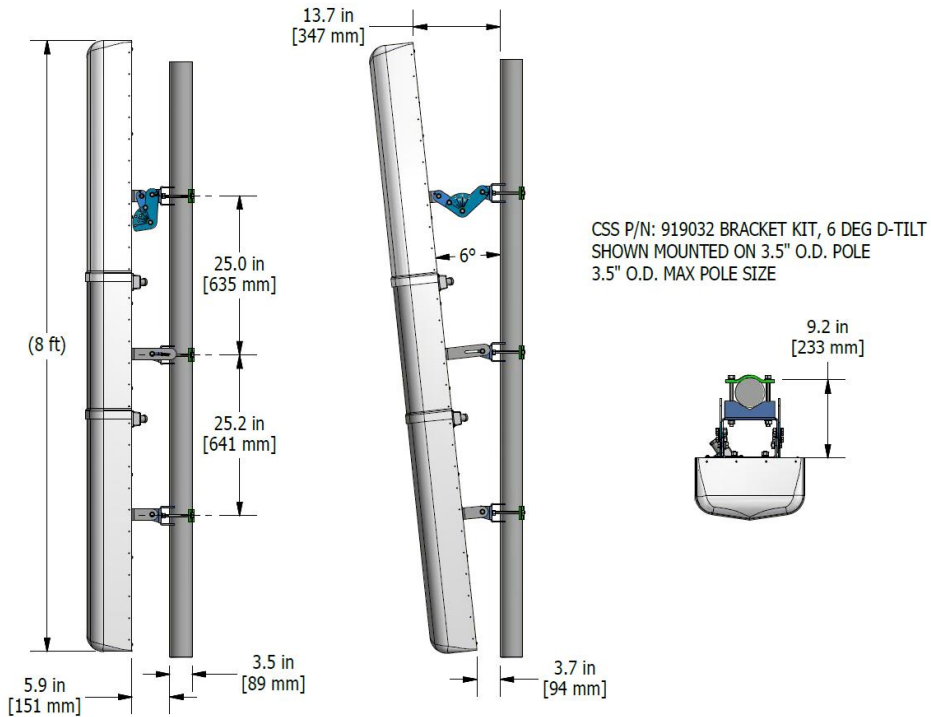
X7CAP-86-865-V

Antenna Systems Group

X7CAP-86-865-VRx



Standard bracket kit



Optional bracket kit

