

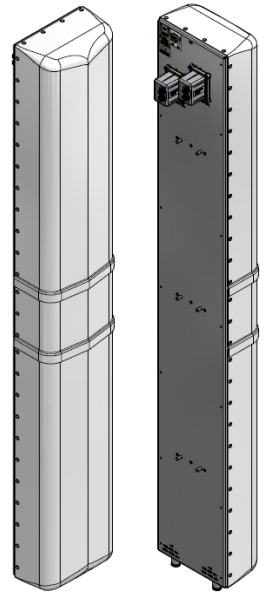
X7CAP-765-V

X-Pol (1) 698-896 MHz 7' Long Antenna & (1) 1695-2180 MHz 6' Long Antenna,

65° Horizontal Beam

Variable E-Tilt

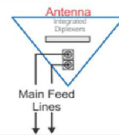
- Macro Cell Antenna
- Suitable for LTE/CDMA/UMTS/GSM
- AISG 2.0 RET control
- Internal Diplexers minimize cabling and site leasing costs



Available with Integrated Diplexers

Reduces mainline cables

Eliminates external tower devices



ELECTRICAL SPECIFICATIONS

Frequency Band, MHz	698-824	824-896	1695-1880	1850-1990	1920-2180
Horizontal beamwidth, 3dB points	66°	66°	60	57°	55°
Gain, dBi	15.0	15.0	18.1	18.3	18.4
Vertical beamwidth, 3dB points	11.1°	9.9°	6.3°	6.0°	5.7°
Front-to-back at 180°, dB	>28		>30		
Upper sidelobe suppression, typical, dB	>15		>15		
Polarization	+/-45°		+/-45°		
Electrical downtilt	2°-12°		2°-12°		
VSWR/return Loss, dB, maximum	1.5:1/-14.0		1.5:1/-14.0		
Isolation between ports, dB, minimum	>25		>25		
Intermodulation (2x20w), IM3, dBc	-153		-153		
Impedance, ohms	50		50		
Maximum power per connector, CW (w)	500		250		

MECHANICAL SPECIFICATIONS

Dimensions, length/width/depth	84.0/12.5/7.8in.(2134/318/198mm)
Connector (quantity) type	(2) 7-16 DIN female
Connector torque	220-265 lbf-in (23-30 N-m)
Connector location	bottom
Antenna weight	40 lbs (18.2 Kg)
Bracket weight (not included in antenna weight)	18.2 lbs (8.25 Kg)
Standard bracket kit	919032 (Included)
Mechanical downtilt range	0°- 6°
Radome material	High-strength Luran® UV stabilized, ASTM D1925
Wind survival	150 mph (241 km/h)
Front wind load @100mph	209 lbf (963 N) @100mph
Equivalent flat plate @100mph	4.21 sq-ft (c=2) @100mph

RET INFORMATION

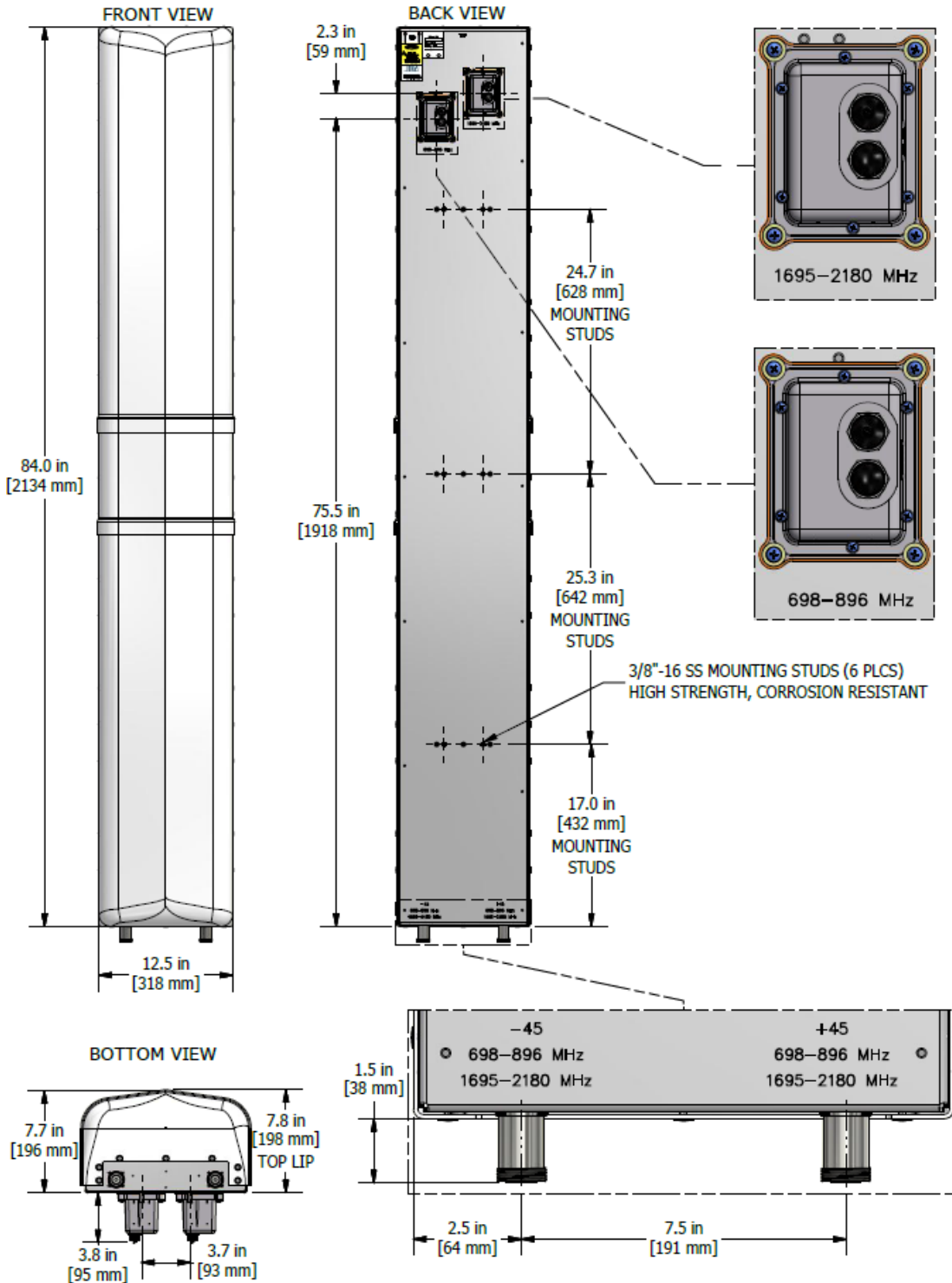
Model	RET-200
Mounting location	Rear of antenna
Weight	1.2 lb (0.54 kg)
Communication standard	AISG 2.0
Control system	PCU-220



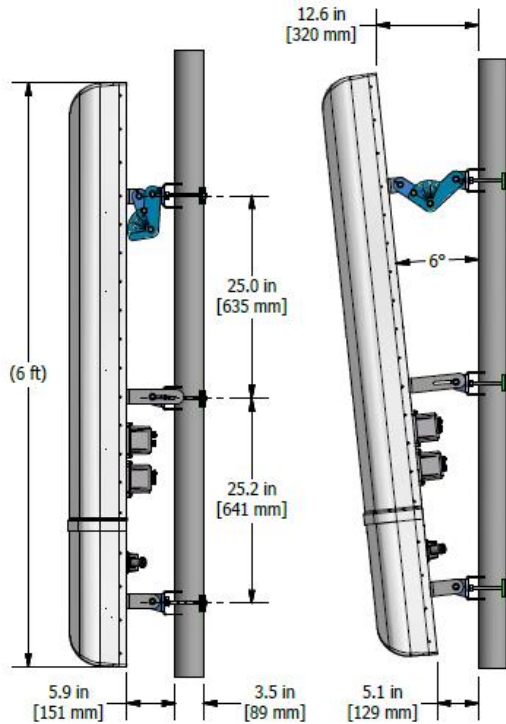
ORDER INFORMATION

MODEL	DESCRIPTION
X7CAP-765-VR-IB	7', X- POL, LB/HB 65°, 2-12°/ 2-12° EDT with internal diplexer & bottom connectors
919049	Optional bracket kit, 3-Point, 6 deg D-tilt, For 4.5" OD Pole
992100-CA013-SC	AISG jumper cable, M/F, 1.3 meters

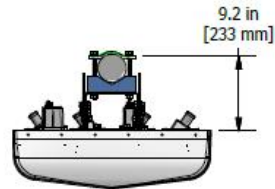
Mechanical Outline Drawing: X7CAP-765-VR-IB



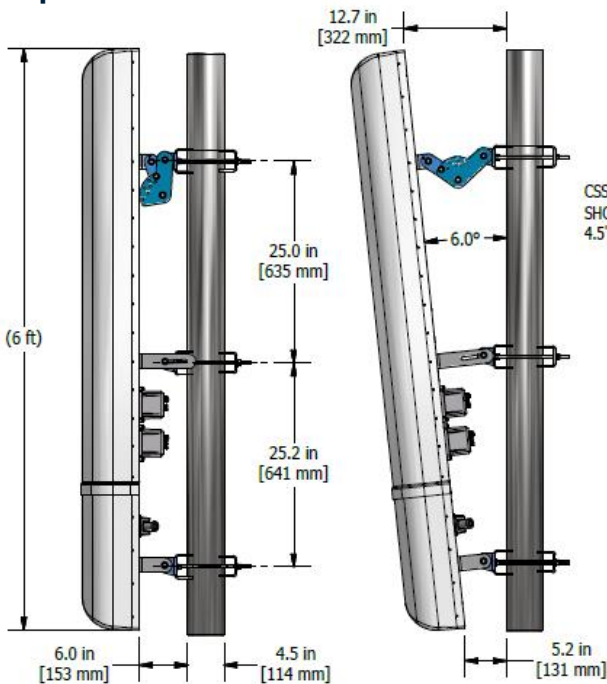
Standard Bracket Kit



CSS P/N: 919032 BRACKET KIT, 6 DEG D-TILT
SHOWN MOUNTED ON 3.5" O.D. POLE
3.5" O.D. MAX POLE SIZE



Optional Bracket Kit



CSS P/N: 919049 BRACKET KIT, 3 POINT, 6 DEG D-TILT
SHOWN MOUNTED ON (OPTIONAL) 4.5" O.D. POLE
4.5" O.D. MAX POLE SIZE

