

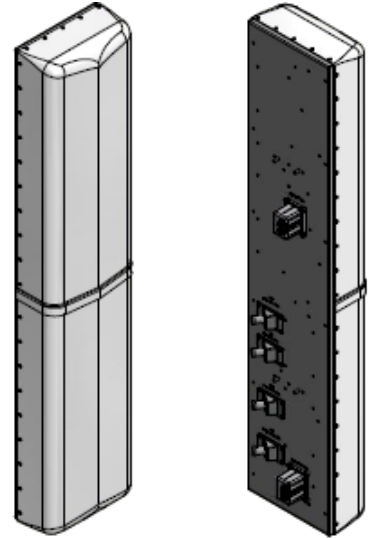
# X7CAP-680-V

Antenna Systems Group

X-pol dual band, (1) 698-896 (1) 1710-2170 MHz, 72", 80° H-beam

Variable E-tilt, RET

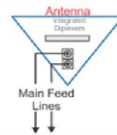
- Macro cell antenna
- Suitable for LTE/CDMA/UMTS/GSM
- AISG v2.0 RET control
- Optional internal diplexers



**Available with Integrated Diplexers**

Reduces mainline cables

Eliminates external tower devices



## ELECTRICAL SPECIFICATIONS

Frequency band, MHz	698-824	824-896	1695-1880	1850-1990	1920-2180
Horizontal beamwidth, 3 dB points	85°	89°	79°	78°	76°
Gain, dBi	14.9	14.6	16.5	16.8	17
Vertical beamwidth, 3 dB points	12.2°	10.5°	5.9°	6.9°	6.0°
Front-to-back at 180°, dB	> 28		> 28		
Upper sidelobe suppression, typical, dB	18		18		
Polarization	+/-45°		+/-45°		
Electrical downtilt (see Order Information)	0-10° or 4-14°		0-6° or 4-10°		
VSWR / return loss, dB, maximum	1.5:1-14.0		1.5:1-14.0		
VSWR / return loss, dB, max. "ipb" option	1.6:1-12.7		1.6:1-12.7		
Isolation between ports, dB, minimum	28		28		
Intermodulation (2 x 20 w), IM3, dBc	-150		-150		
Impedance, ohms	50		50		
Maximum power per connector, CW (w)	500		250		

**MECHANICAL SPECIFICATIONS**

Dimensions, length/width/depth	72/14.6/8.1in. (1829/372/206 mm)
Connector (quantity)	(4) 7-16 DIN female (2) 7-16 DIN female for diplexed version
Connector torque	220-265 lbf·in (23-30 N·m)
Connector location	Back or bottom (for internally diplexed version)
Antenna weight	38.2 lb (17.32 kg)
Bracket weight	13.2 lb
Standard bracket kit	919011 (included)
Mechanical downtilt range	0-12°
Radome material	High strength Luran®, UV stabilized, ASTM D1925
Wind survival	150 mph (241 km/h)
Front wind load @ 100 mph	211.6 lbf (941.4 N)
Equivalent flat plate @ 100 mph	4.22 sq ft (c=2)

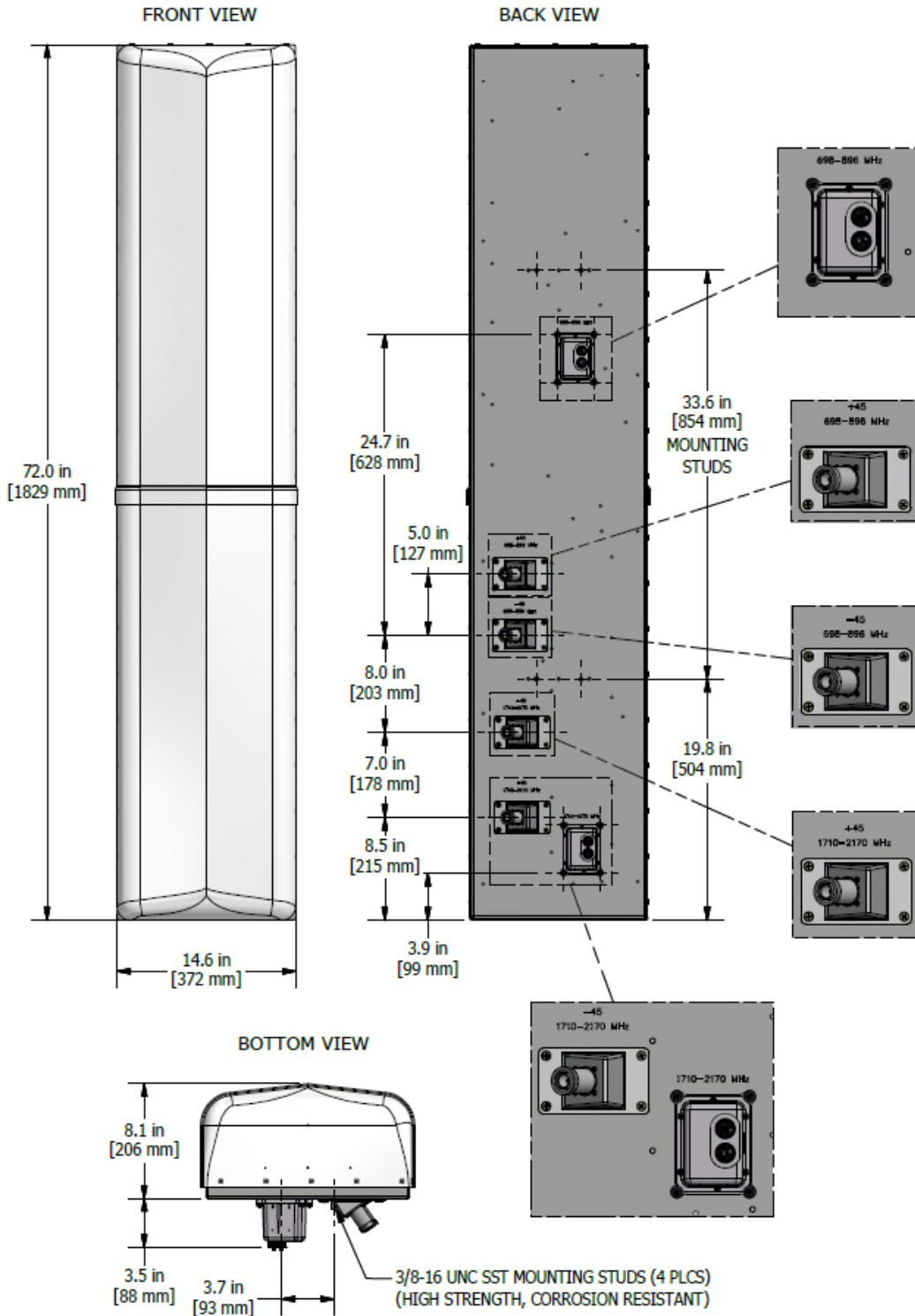
**RET INFORMATION**

Model	RET-200
Mounting location	Rear of antenna
Weight	1.2 lb (0.54 kg)
Communication Standard	AISG 2.0
Control System	PCU-220

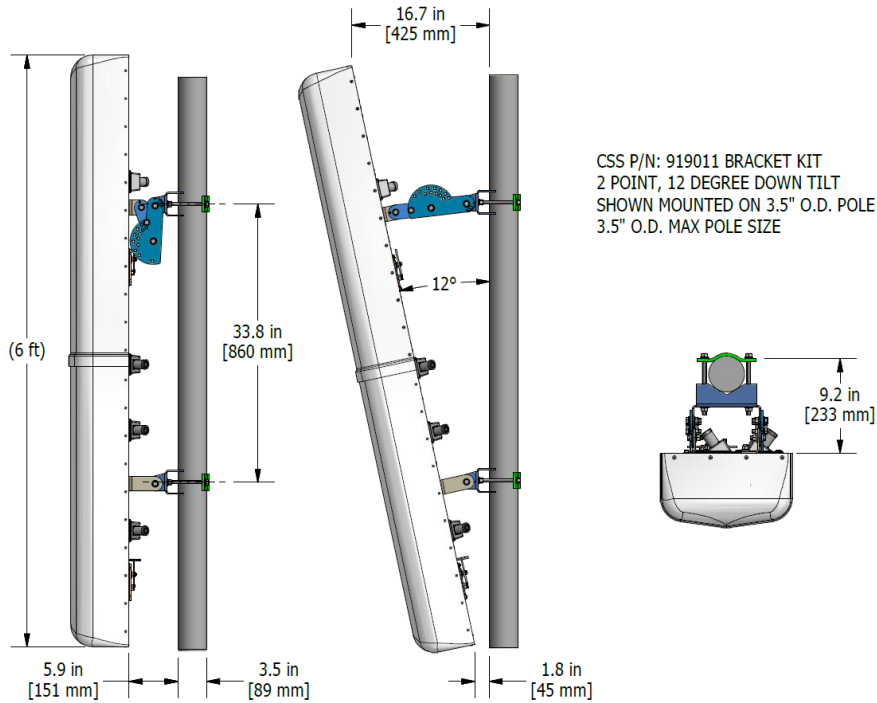
**ORDER INFORMATION**

MODEL	DESCRIPTION
X7CAP-680-VR0	Remote motor adjust variable E-tilt, EDT 0-10° low band and 0-6° high band, with 4 back connectors
X7CAP-680-VR0-IPB	Remote motor adjust variable E-tilt, EDT 0-10° low band and 0-6° high band, with 2 bottom connectors with integrated diplexer
X7CAP-680-VR4	Remote motor adjust variable E-tilt, EDT 4-14° low band and 4-10° high band, with 4 back connectors
X7CAP-680-VR4-IPB	Remote motor adjust variable E-tilt, EDT 4-14° low band and 4-10° high band, with 2 bottom connectors with integrated diplexer
919036	Optional bracket kit, 2-point, 12 deg D-tilt, for 4.5" OD pole
992100-CA013-SC	AISG Jumper Cable, M/F, 1.3 meters

## Mechanical Outline Drawing X7CAP-680-VRx



## Standard Bracket Kit



## Optional Bracket Kit

