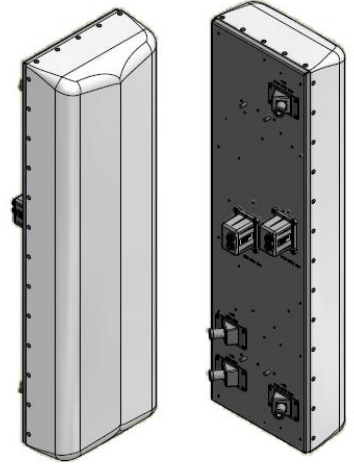


X7CAP-480-V

Antenna Systems Group

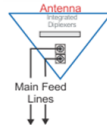
X-pol dual band (1) 698-896 & (1) 1695-2180 MHz, 50.5", 80° H-beam RET

- Macro cell antenna
- Suitable for LTE/CDMA/UMTS/GSM
- AISG v2.0 RET control
- Optional internal diplexers



Available with Integrated Diplexers

Reduces mainline cables
Eliminates external tower devices



ELECTRICAL SPECIFICATIONS

Frequency band, MHz	698-824	824-896	1695-1880	1850-1990	1920-2180
Horizontal beamwidth, 3 dB points	82°	84°	83°	80°	78°
Gain, dBi	13.1	13	15.6	16.6	15.7
Vertical beamwidth, 3 dB points	17.8°	15.2°	7.7°	7.2°	7.0°
Front-to-back at 180°, dB	>28		>28		
Upper sidelobe suppression, typical, dB	<-18		<-18		
Polarization	+/-45°		+/-45°		
Electrical downtilt (see Order Information)	0-12° or 4-16°		0-6° or 4-10°		
VSWR / return loss, dB, maximum	1.5:1/-14.0		1.5:1/-14.0		
VSWR / return loss, dB, max. "ipb" option	1.6:1/-12.7		1.6:1/-12.7		
Isolation between ports, dB, minimum	>28		>28		
Intermodulation (2 x 20 w), IM3, dBc, maximum	-150		-150		
Impedance, ohms	50		50		
Maximum power per connector, CW (w)	500		250		

MECHANICAL SPECIFICATIONS

Dimensions, length/width/depth	50.5/14.6/7.8 in. (1282/371/199 mm)
Connector (quantity)	(4) 7-16 DIN female or (2) 7-16 DIN female (IPB models)
Connector torque	220-265 lbf·in (25-30 N·m)
Connector location	Back or bottom (for IPB models)
Antenna weight	35.2 lb (16.0 kg)
Bracket weight	13.2 lb
Standard bracket kit	919011 (included)
Mechanical downtilt range	0-12°
Radome material	High strength Luran®, UV stabilized, ASTM D1925
Wind survival	150 mph (241 km/h)
Front wind load @ 100 mph	127.2 lbf (566.0 N)
Equivalent flat plate @ 100 mph	2.53 sq ft (c=2)

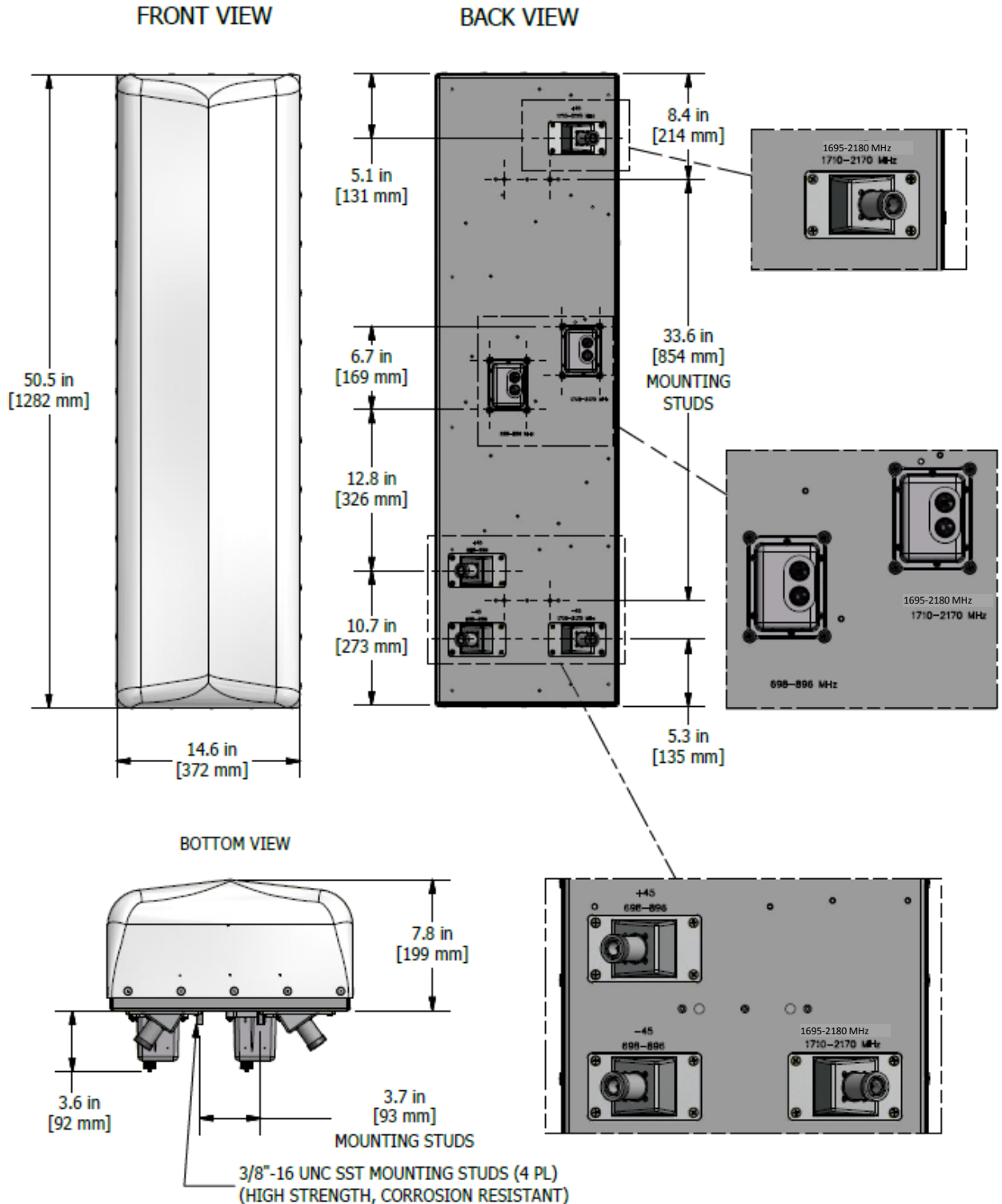
RET INFORMATION

Model	RET-200
Mounting location	Rear of antenna
Weight	1.2 lb (0.54 kg)
Communication standard	AISG 2.0
Control system	PCU-1000

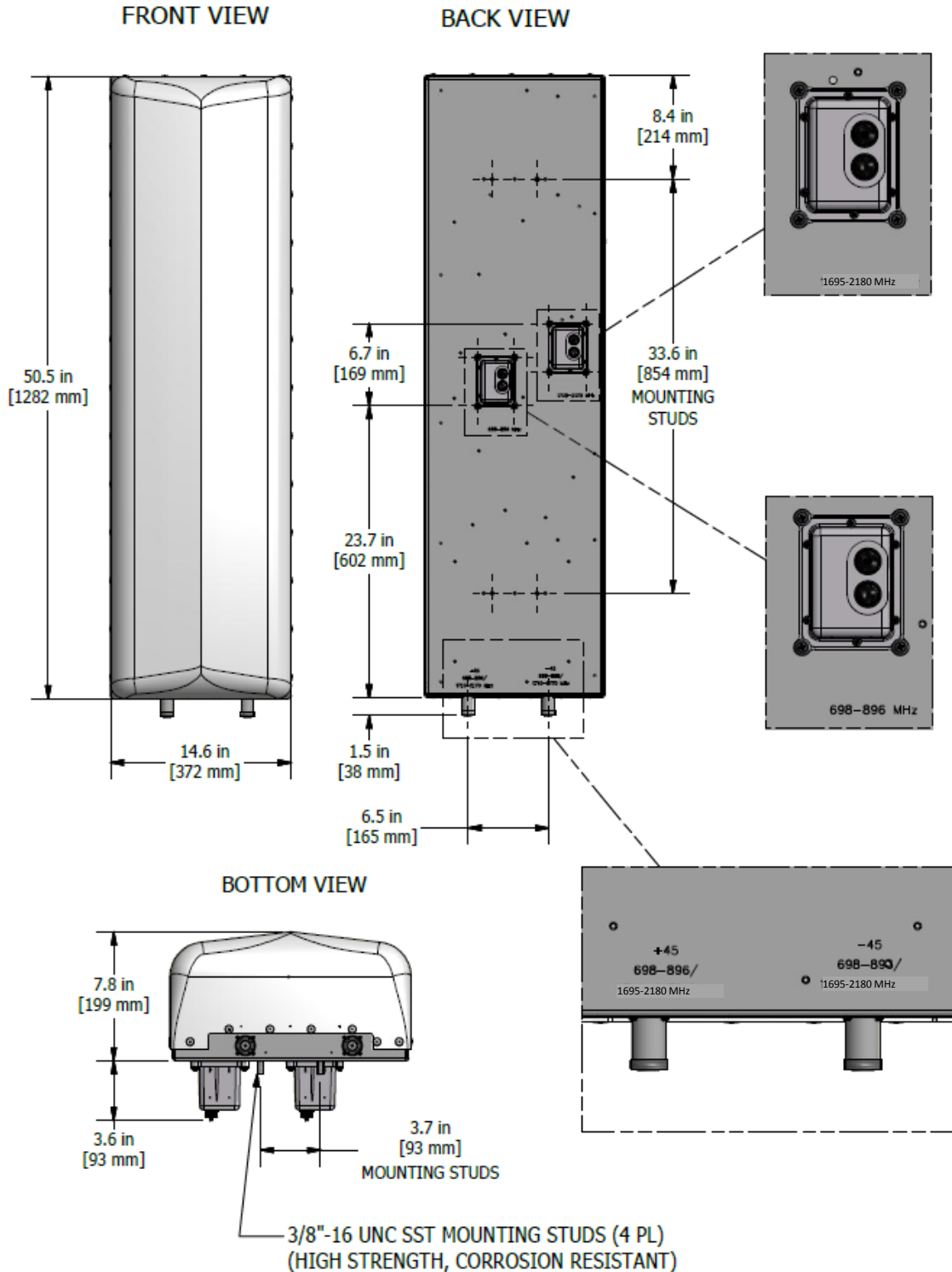
**ORDER INFORMATION**

MODEL	DESCRIPTION
X7CAP-480-VR0	Remote motor adjust variable E-tilt, EDT 0-12° low band and 0-6° high band, with 4 back connectors
X7CAP-480-VR0-IPB	Remote motor adjust variable E-tilt, EDT 0-12° low band and 0-6° high band, with 4 bottom connectors with integrated diplexer
992100-CA005-SC	AISG jumper cable, M/F, 0.5 meters
919036	Optional bracket kit, 2-point, 12 deg D-tilt, for 4.5" OD pole

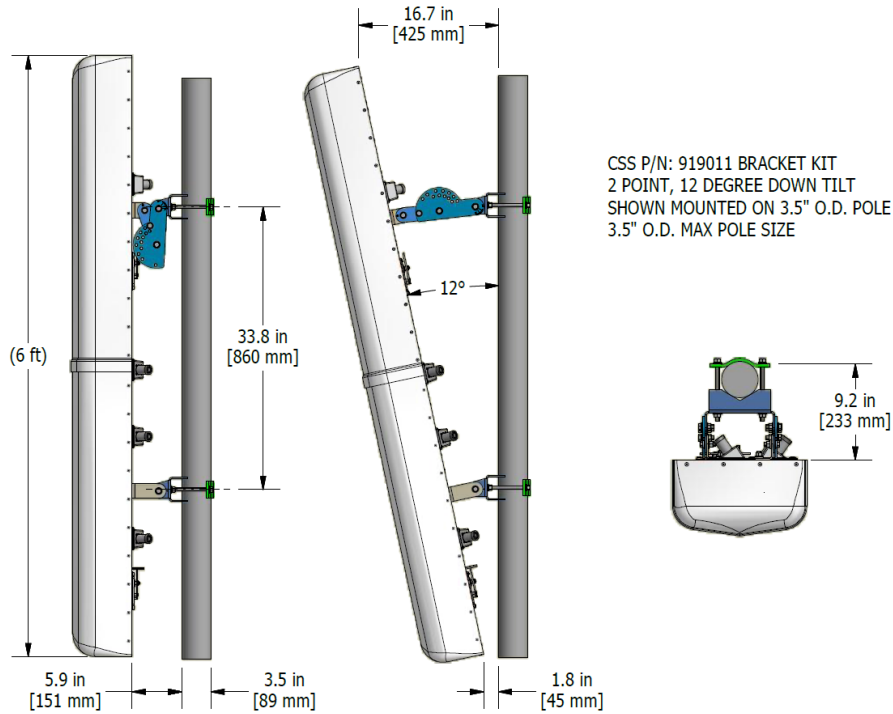
Mechanical outline drawing: RET version



Mechanical outline drawing: RET antenna with IPB version



Standard bracket kit



Optional Bracket Kit

