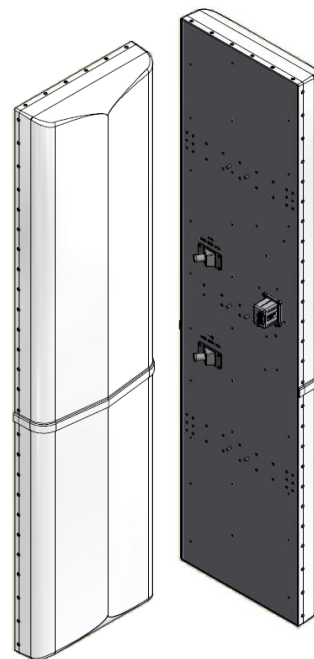


## X7C-FRO-830-V

X-Polarization, 698-896MHz, 96", Fast Roll Off, 30° H-Beam  
Variable E-Tilt, RET

- Macro Cell Antenna
- Fast Roll Off (FRO)
- Suitable for LTE/CDMA/UMTS/GSM
- AISG 2.0 RET control



### ELECTRICAL SPECIFICATIONS

Frequency Band, MHz	698-824	824-896
Horizontal Beamwidth, 3dB points	35°	30°
Gain, dBi	18.9	19.7
Vertical Beamwidth, 3dB points	9.7°	8.5°
Front-to-Back at 180°, dB	>30	
Upper Sidelobe Suppression, Typical, dB	<-18	
Azimuth Sidelobe Suppression, Typical dB	<-15	
Polarization	+/-45°	
Electrical Downtilt	0°-6° or 4°-10°	
VSWR/Return Loss, dB, Maximum	1.5:1/-14.0	
Isolation Between Ports, dB, Minimum	>28	
Intermodulation (2x20w), IM3, dBc	-150	
Impedance, ohms	50	
Maximum Power Per Connector, CW (w)	500	

## MECHANICAL SPECIFICATIONS

Dimensions, Length/Width/Depth	96.0/24.0/7.2 in (2438/610/183 mm)
Connector (Quantity) Type	(2) 7-16 DIN Female
Connector Torque	220-265 lbf-in (23-30 N-m)
Connector Location	Back
Antenna Weight	72 lbs (32.6 kg)
Bracket Weight	18.2 lb (8.3 kg)
Standard Bracket Kit	P/N 919032 (Included )
Mechanical Downtilt Range	0°-6°
Radome Material	High Strength Luran, UV Stabilized, ASTM D1925
Wind Survival	150 mph (241 km/h)
Front Wind Load	397.6 lbf (1768.4.7 N) @100mph
Equivalent Flat Plate	7.92 sq-ft (c=2) @ 100mph

## RET INFORMATION

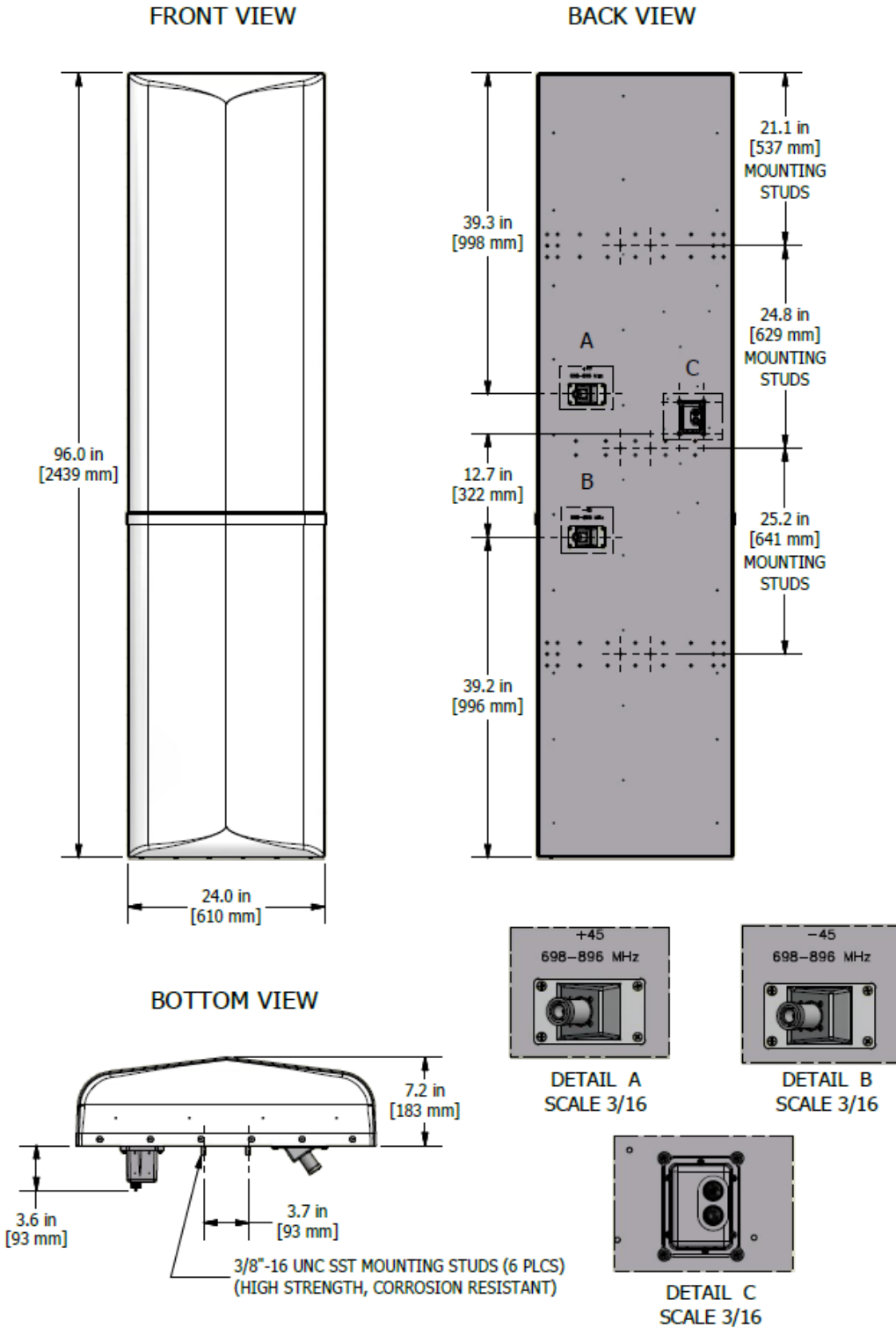
Model	RET-200
Mounting Location	Back
Weight	1.2 lb (0.54 kg)
Communication Standard	AISG 2.0
Control System	PCU-1000



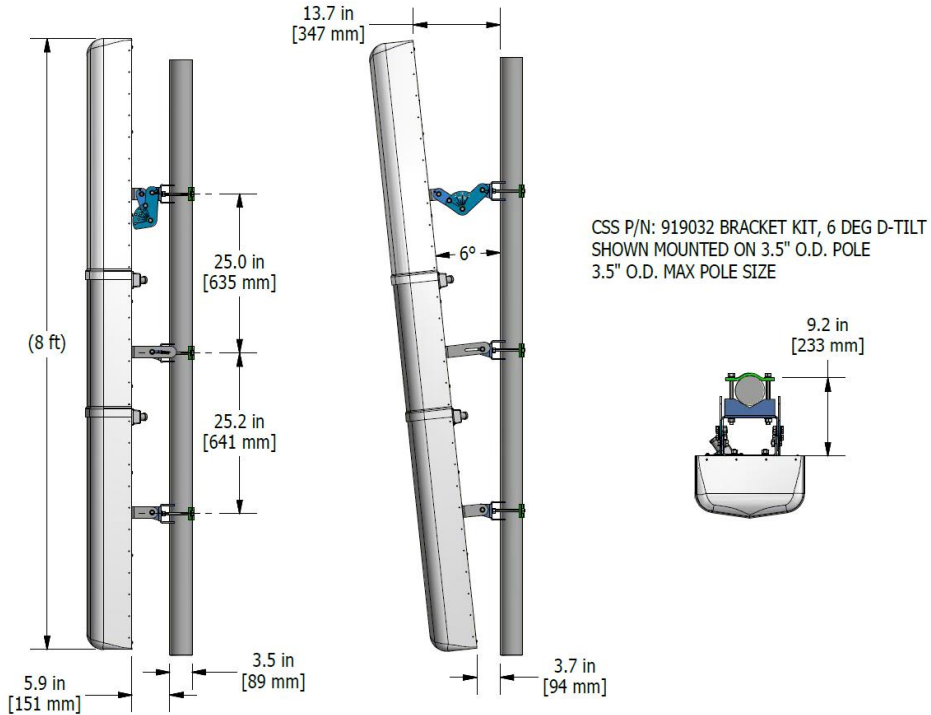
## ORDER INFORMATION

MODEL	DESCRIPTION
X7C-FRO-830-VR0	Antenna with remote RET adjust electrical downtilt 0-6°
X7C-FRO-830-VR4	Antenna with remote RET adjust electrical downtilt 4-10°
919049	Optional Bracket Kit, 3-Point, 6 degree D-tilt, For 4.5" OD Pole

**Mechanical Outline Drawing: RET Version**



### Standard Bracket Kit



### Optional Bracket Kit

