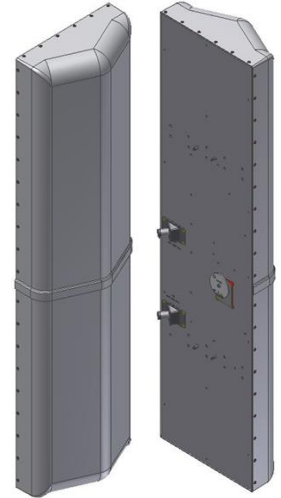


X-pol antenna, 698-896 MHz, 72", fast roll-off 40°  
Azimuth

Variable E-tilt, RET

- Macro cell, high gain antenna
- Fast roll-off (FRO)
- Suitable for LTE/CDMA/UMTS/GSM
- AISG 2.0 RET tilt control



### ELECTRICAL SPECIFICATIONS

Frequency band, MHz	698-824	824-896
Horizontal beamwidth, 3 dB points	46°	36°
Gain, dBi	17.3	18.5
Vertical beamwidth, 3 dB points	12.1°	10.2°
Front-to-back at 180°, dB	24	
Upper sidelobe suppression, typical, dB	18	
Polarization	Circular	
Electrical downtilt	0-10° or 4-14°	
VSWR / return loss, dB, maximum	1.5:1/-14.0	
Isolation between ports, dB, minimum	28	
Intermodulation (2 x 20 w), IM3, dBc	-150	
Impedance, ohms	50	
Maximum power per connector, CW (w)	500	

**MECHANICAL SPECIFICATIONS**

Dimensions, length/width/depth	72.0/18.8/9.1 in. (1829/479/231 mm)
Connector (quantity) type	(2) 7-16 DIN female
Connector torque	220-265 lbf·in (23-30 N·m)
Connector location	Back
Antenna weight	42.4 lb (19.3 kg)
Bracket weight	13.4 lb (6.0 kg)
Standard bracket kit	P/N 919011 (included)
Mechanical downtilt range	0-12°
Radome material	High strength Luran®, UV stabilized, ASTM D1925
Wind survival	150 mph (241 km/h)
Front wind load	225.9 lbf (1005.1 N)
Equivalent flat plate	4.51 sq ft (c=2)

**RET INFORMATION**

Model	RET-200
Mounting location	Rear of antenna
Weight	1.2 lb (0.54 kg)
Communication standard	AISG 2.0
Control system	PCU-1000

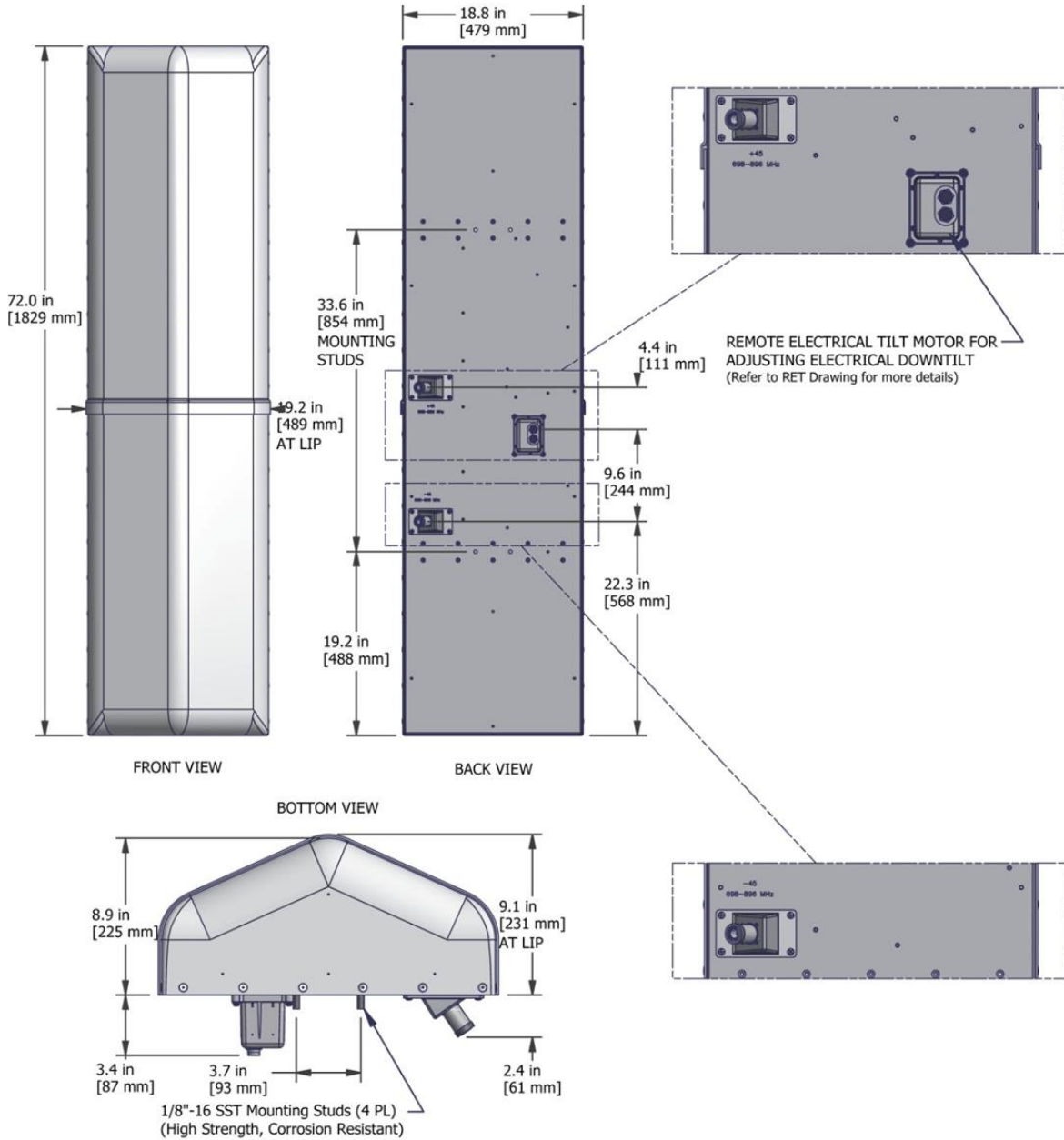
**ORDER INFORMATION**

MODEL	DESCRIPTION
X7C-FRO-640-VR0	Antenna with remote RET adjust electrical downtilt 0-10°
X7C-FRO-640-VR4	Antenna with remote RET adjust electrical downtilt 4-14°
919036	Optional bracket kit, 2-point, 12 deg D-tilt, for 4.5" OD pole

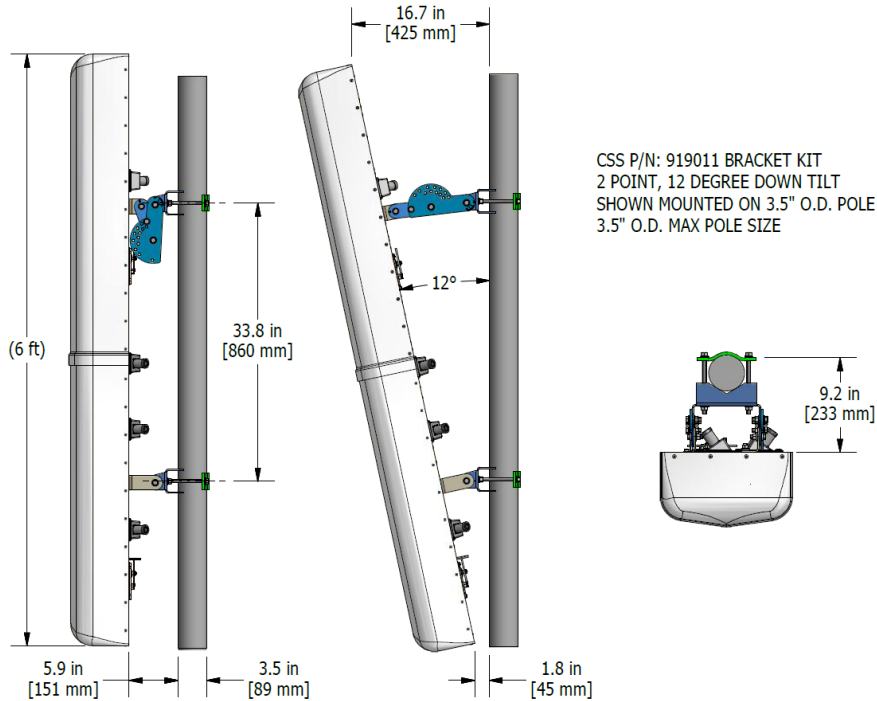
# X7C-FRO-640-V

Antenna Systems Group

## X7C-FRO-640-VR



## Standard Bracket Kit



## Optional Bracket Kit

