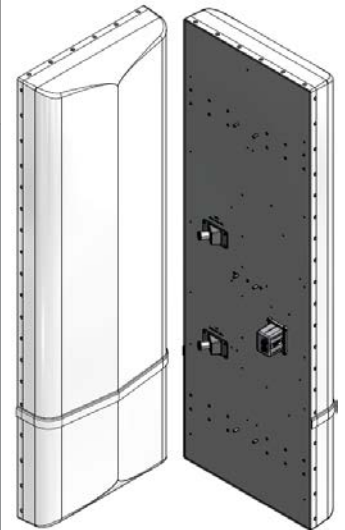


X7C-FRO-630-V

±45° Polarization, 698-896MHz, Fast Roll Off, 72" Length, 30° Horizontal Pattern, Variable E-Tilt

- Fast Roll Off (FRO) improves Intra and Inter-Cell SINR
- Separate housing and reflector construction optimizes RF performance while maximizing mechanical strength
- Good Passive Intermodulation (PIM) performance reduces harmful interference
- Suitable for LTE/CDMA/UMTS/GSM
- AISG 2.0 RET or manual MET tilt control



ELECTRICAL SPECIFICATIONS

Frequency Band, MHz	698-824	824-896
Horizontal Beamwidth, 3dB points	35°	30°
Gain, dBi	18.3	19.3
Vertical Beamwidth, 3dB points	12.9°	11.0°
Front-to-Back at 180°, dB	>30	
Upper Sidelobe Suppression, dB (typical)	< -18	
Polarization	+/-45°	
Electrical Downtilt Range (See Ordering Information)	VR0: 0° to 10°, VR4: 4° to 14°	
VSWR/Return Loss, dB (maximum)	1.5:1-14.0	
Isolation Between Ports, dB (minimum)	>28	
Intermodulation (2x20w), IM3, dBc	-153	
Impedance, Ohms	50	
Maximum Power Per Connector, CW (w)	500	

MECHANICAL SPECIFICATIONS

Dimensions, Length/Width/Depth	72.0/24.0/7.2 in (1829/610/183 mm)
Connector (Quantity) Type	(2) 7-16 DIN Female
Connector Torque	220-265 lbf-in (23-30 N-m)
Connector Location	Back
Antenna Weight	56.0 lbs (25.4 kg) estimated
Bracket Weight (not included in antenna weight)	18.2 lb (6.3 kg)
Standard Bracket Kit	P/N 919032 (Included)
Mechanical Downtilt Range	0-6°
Radome Material	High Strength Luran, UV Stabilized, ASTM D1925
Wind Survival	150 mph (241 km/h)
Front Wind Load	297.4 lbf (1323 N) @100mph
Equivalent Flat Plate	5.94 sq-ft (c=2) @ 100mph

RET INFORMATION (RET motors included with VR0 & VR4 models)

Model	CSS-RET-200
Mounting Location	Rear of Antenna
Communication Standard	AISG 2.0
Control System	CSS-PCU-220



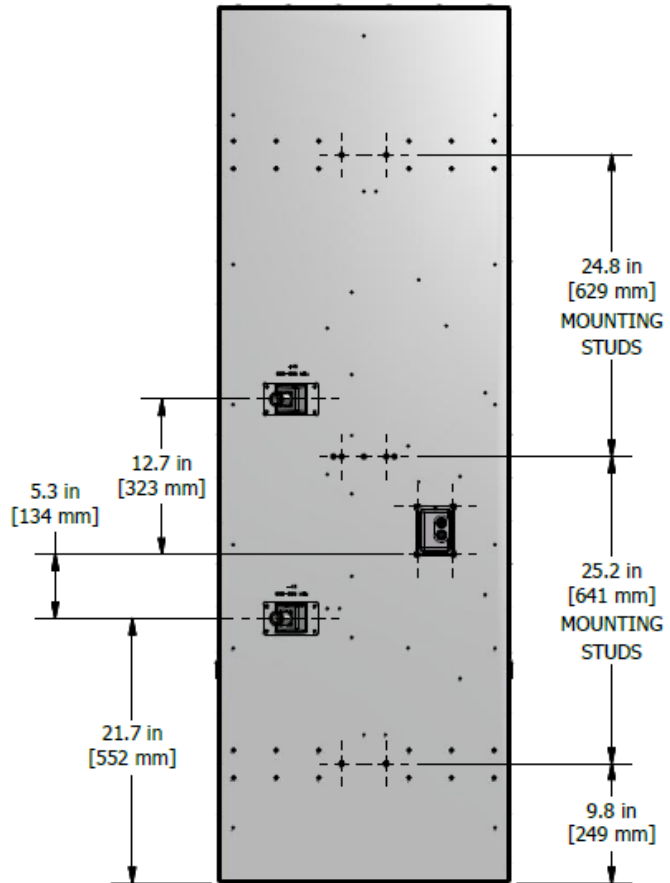
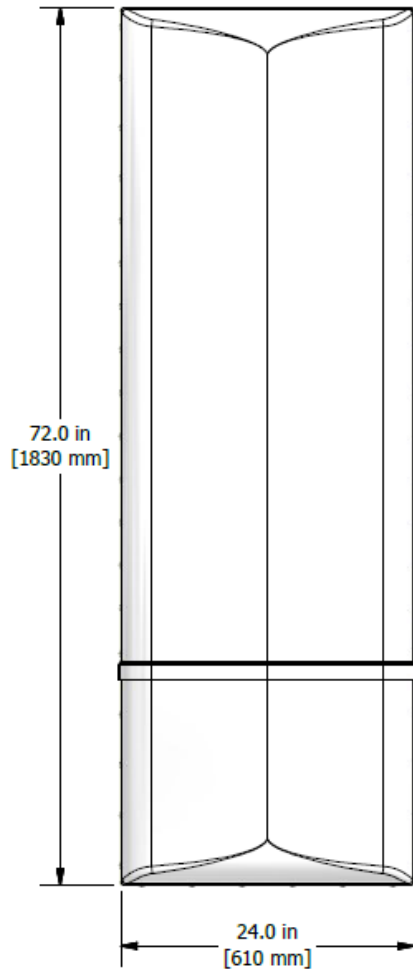
ORDER INFORMATION

MODEL	DESCRIPTION
X7C-FRO-630-VM0	Antenna with manual MET adjust electrical downtilt 0-10°
X7C-FRO-630-VM4	Antenna with manual MET adjust electrical downtilt 4-14°
X7C-FRO-630-VR0	Antenna with remote RET adjust electrical downtilt 0-10°
X7C-FRO-630-VR4	Antenna with remote RET adjust electrical downtilt 4-14°
919049	Optional Bracket Kit, 3-Point, 6deg D-tilt, For 4.5" OD Pole

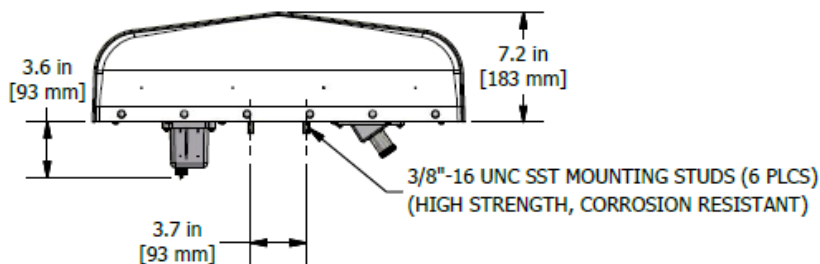
Mechanical Outline Drawing: X7C-FRO-630-VR0, -VR4 Models

FRONT VIEW

BACK VIEW



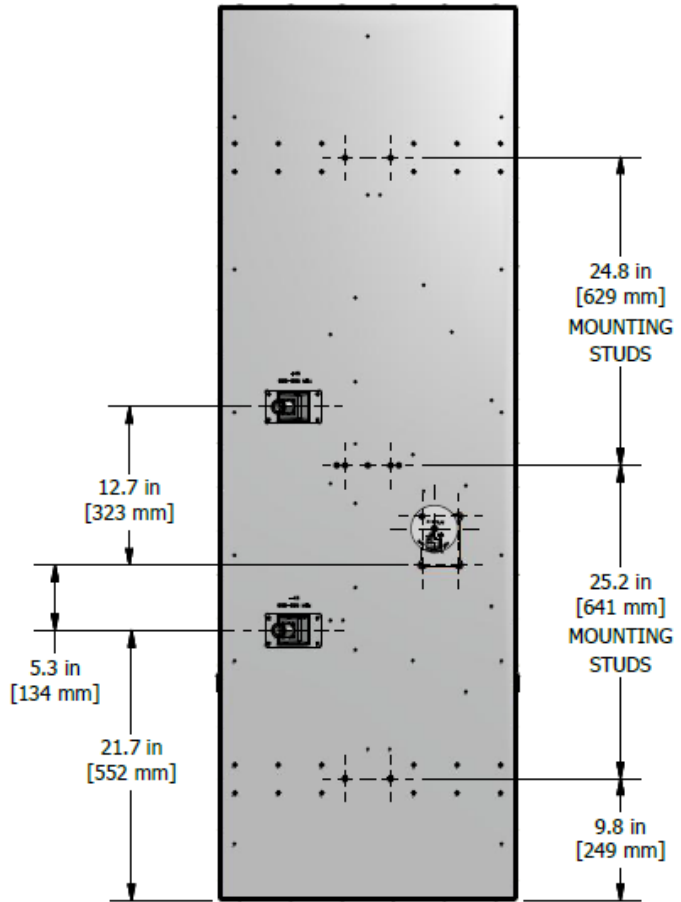
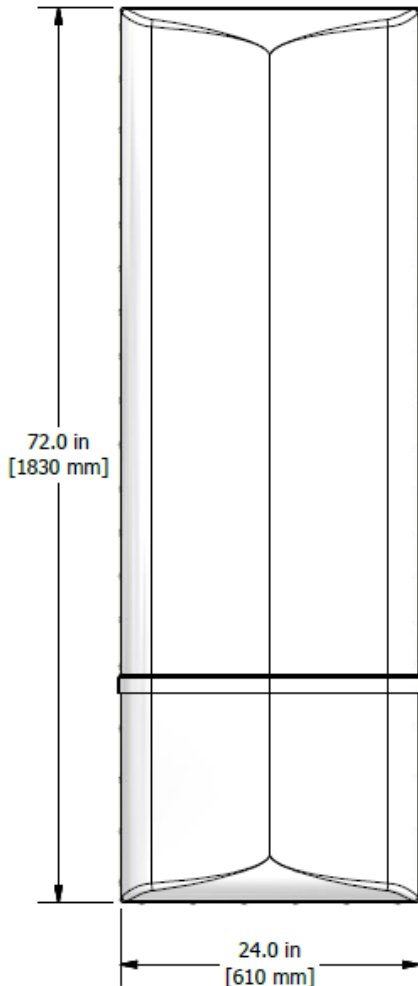
BOTTOM VIEW



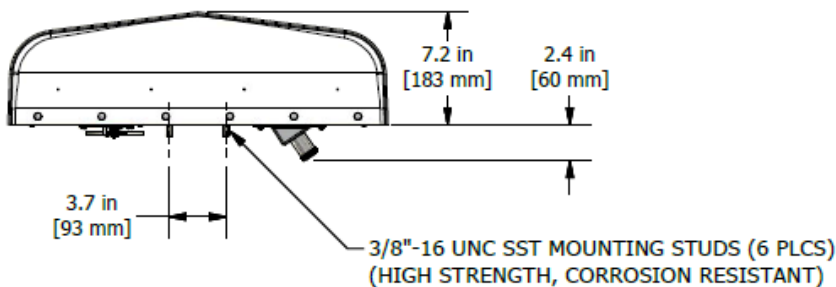
Mechanical Outline Drawing: X7C-FRO-630-VM0, -VM4 Models

FRONT VIEW

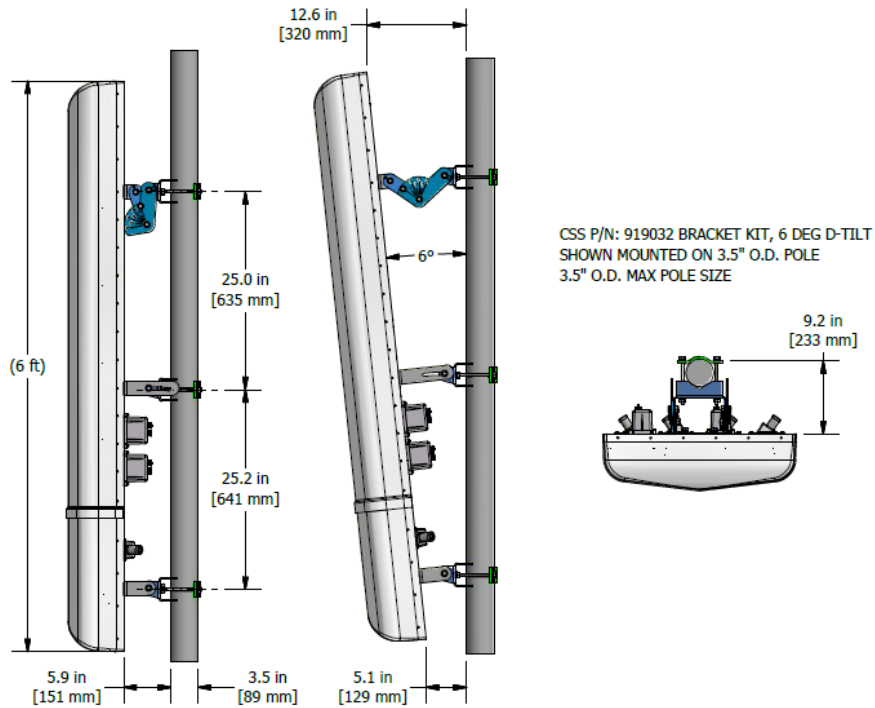
BACK VIEW



BOTTOM VIEW



Standard Bracket Kit



Optional Bracket Kit

