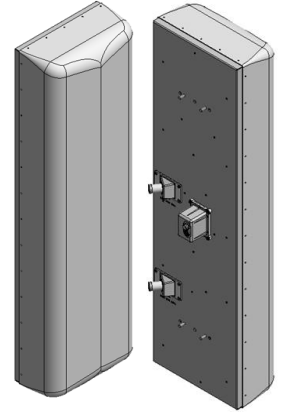


±45° polarization, 698-896 MHz, fast roll-off, 50.5" length,

60° horizontal pattern, variable E-tilt

- Fast roll-off (FRO) improves intra- and inter-cell SINR
- Separate housing and reflector construction optimizes RF performance while maximizing mechanical strength
- Good passive intermodulation (PIM) performance reduces harmful interference
- Suitable for LTE/CDMA/UMTS/GSM
- AISG 2.0 RET control



ELECTRICAL SPECIFICATIONS

| Frequency band, MHz | 698-824 | 824-896 |
|--|------------------------------|---------|
| Horizontal beamwidth, 3 dB points | 59° | 56° |
| Gain, dBi | 14.9 | 15.3 |
| Vertical beamwidth, 3 dB points | 17.6° | 15.6° |
| Front-to-back at 180°, dB | >30 | |
| Upper sidelobe suppression, dB (typical) | <-18 | |
| Polarization | +/-45° | |
| Electrical downtilt range (see Ordering Information) | VR0: 0 to 12°, VR4: 4 to 16° | |
| VSWR / return loss, dB (maximum) | 1.5:1/14.0 | |
| Isolation between ports, dB (minimum) | -25 | |
| Intermodulation (2 x 20 w), IM3, dBc | -150 | |
| Impedance, ohms | 50 | |
| Maximum power per connector, CW (w) | 500 | |

MECHANICAL SPECIFICATIONS

| | |
|---|---|
| Dimensions, length/width/depth | 50.5/14.6/8.0 in. (1282/372/204 mm) |
| Connector (quantity) type | (2) 7-16 DIN female |
| Connector torque | 220-265 lbf·in (23-30 N·m) |
| Connector location | Back |
| Antenna weight | 28.0 lb |
| Bracket weight (not included in antenna weight) | 13.2 lb (6.0 kg) |
| Standard bracket kit | P/N 919011 (included) |
| Mechanical downtilt range | 0-12° |
| Radome material | High strength Luran®, UV stabilized, ASTM D1925 |
| Wind survival | 150 mph (241 km/h) |
| Front wind load @ 100 mph | 127.34 lbf (566.45 N) |
| Equivalent flat plate @ 100 mph | 2.53 sq ft (c=2) |

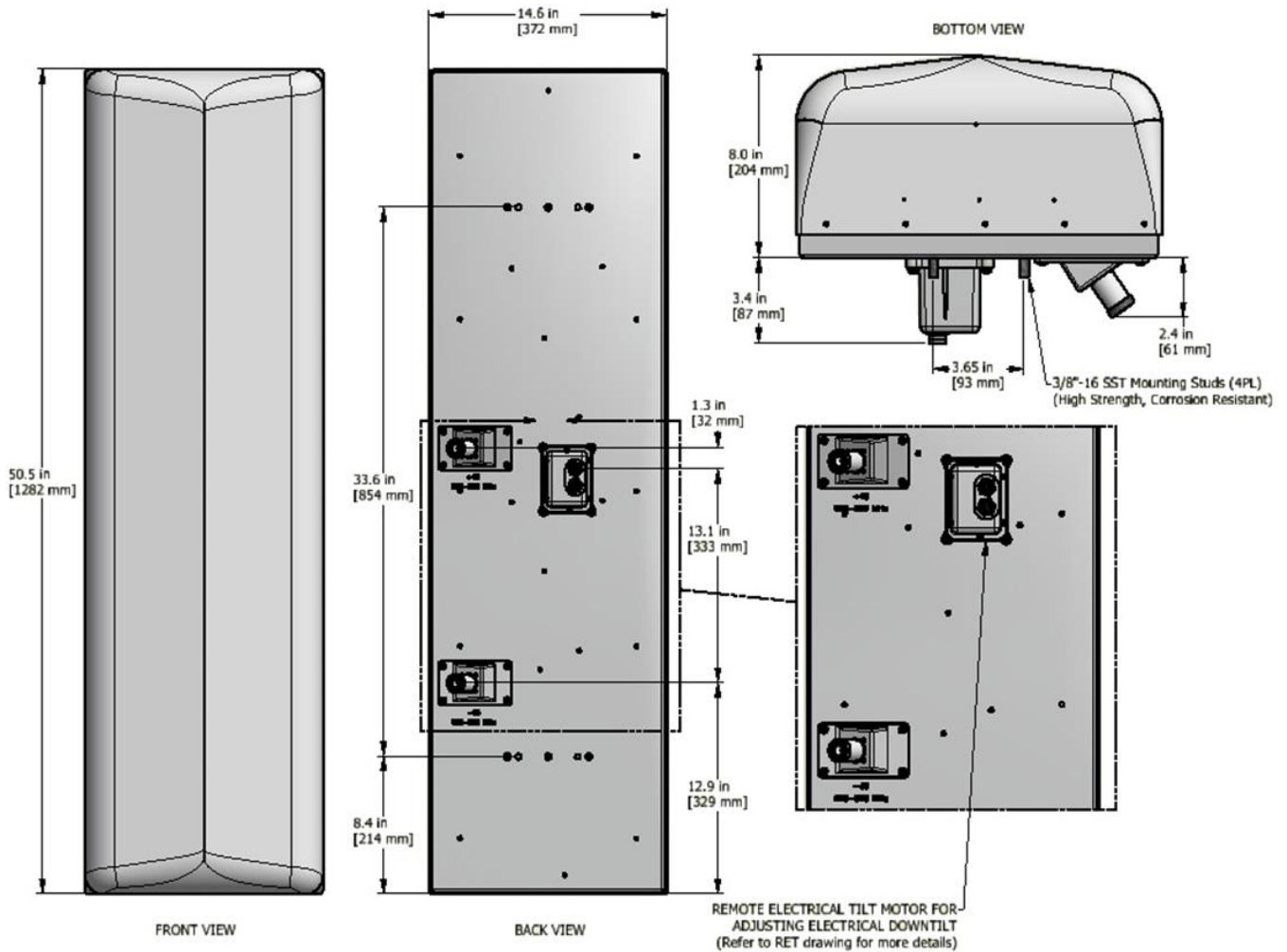
RET INFORMATION (RET motors included with VR0 & VR4 models)

| | |
|------------------------|-----------------|
| Model | RET-200 |
| Mounting location | Rear of antenna |
| Communication standard | AISG 2.0 |
| Control system | PCU-1000 |

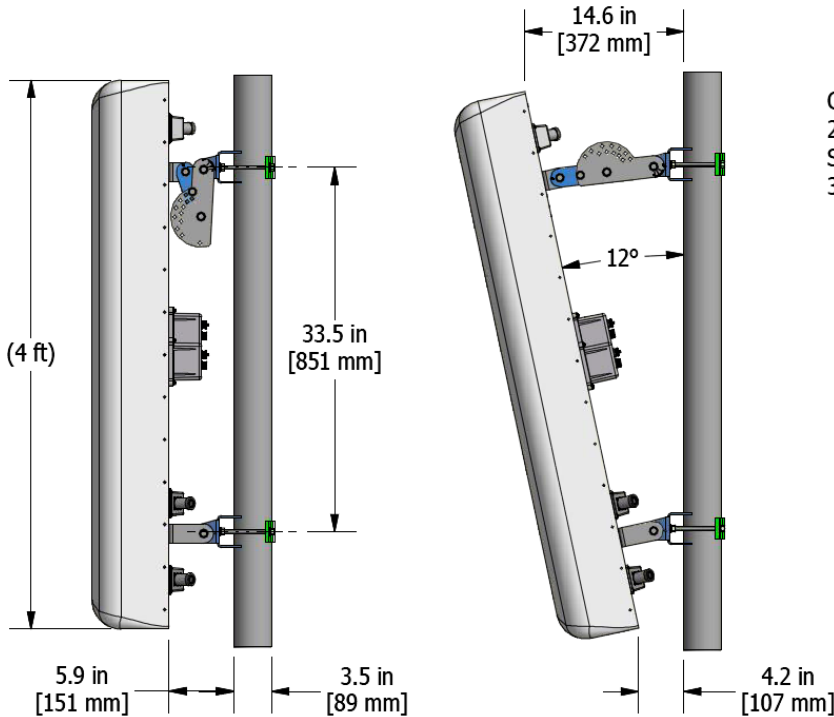
**ORDER INFORMATION**

| MODEL | DESCRIPTION |
|-----------------|--|
| X7C-FRO-460-VR0 | Antenna with remote RET adjust electrical downtilt 0-12° |
| X7C-FRO-460-VR4 | Antenna with remote RET adjust electrical downtilt 4-16° |
| 919036 | Optional bracket kit, 2-point, 12 deg D-tilt, for 4.5" OD pole |

Mechanical outline drawing: X7C-FRO-460-VR0, -VR4 models

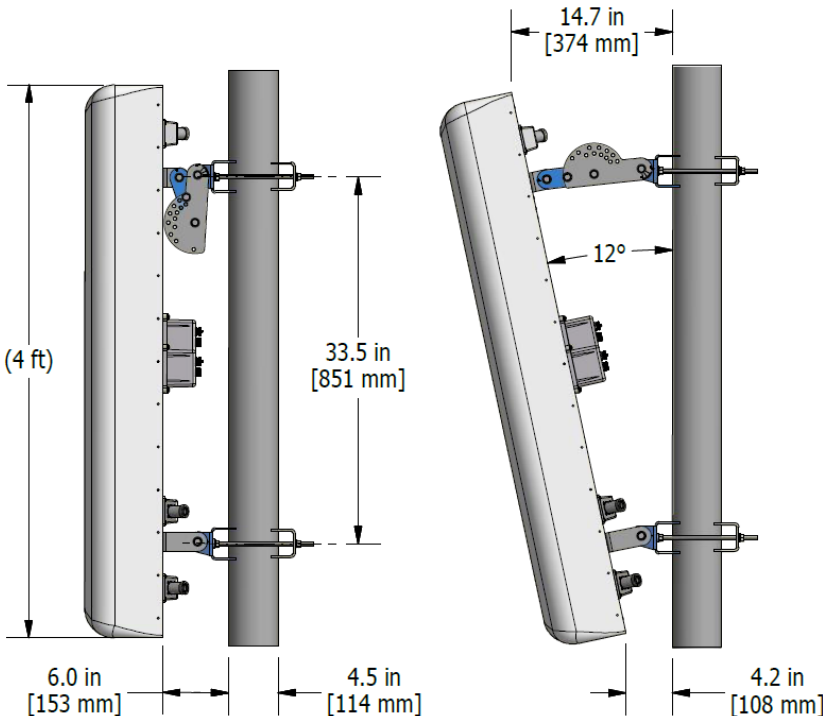


Standard bracket kit



CSS P/N: 919011 BRACKET KIT
 2 POINT, 12 DEGREE DOWN TILT
 SHOWN MOUNTED ON 3.5" O.D. POLE
 3.5" O.D. MAX POLE SIZE

Optional bracket kit



CSS P/N: 919036 BRACKET KIT
 2 POINT, 12 DEGREE DOWN TILT
 SHOWN MOUNTED ON 4.5" O.D. POLE
 4.5" O.D. MAX POLE SIZE