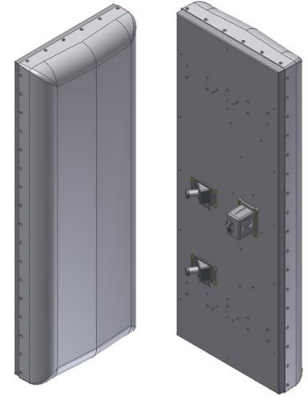


X-polarization, 698-896 MHz, 50.5", fast roll-off 40° H-beam

Variable E-tilt, RET

- Macro cell antenna
- Fast roll-off (FRO)
- Suitable for LTE/CDMA/UMTS/GSM
- AISG 2.0 RET control



ELECTRICAL SPECIFICATIONS

Frequency band, MHz	698-800 MHz	800-896 MHz
Horizontal beamwidth, 3 dB points	47°	38°
Gain, dBi	15.4	16.8
Vertical beamwidth, 3 dB points	17.9°	15.7°
Front-to-back at 180°, dB	> 28	
Upper sidelobe suppression, typical, dB	< -18	
Polarization	+/-45°	
Electrical downtilt	0-12° or 4-16°	
VSWR / return loss, dB, maximum	1.5:1/-14.0	
Isolation between ports, dB, minimum	28	
Intermodulation (2 x 20 w), IM3, dBc	-150	
Impedance, ohms	50	
Maximum power per connector, CW (w)	500	

MECHANICAL SPECIFICATIONS

Dimensions, length/width/depth	50.5/18.8/6.2 in. (1282/479/157 mm)
Connector (quantity) type	(2) 7-16 DIN female
Connector torque	220-265 lbf-in (23-30 N-m)
Connector location	Back
Antenna weight	29.2 lb (13.2 kg)
Bracket weight	13.2 lb (6.0 kg)
Standard bracket kit	P/N 919011 (included)
Mechanical downtilt range	0-12°
Radome material	High strength Luran®, UV stabilized, ASTM D1925
Wind survival	150 mph (241 km/h)
Front wind load @ 100mph	164 lbf (729.4 N)
Equivalent flat plate @ 100mph	3.26 sq ft (c=2)

RET INFORMATION

Model	RET-200
Mounting location	Rear of antenna
Weight	1.2 lb (0.54 kg)
Communication standard	AISG 2.0
Control system	PCU-1000

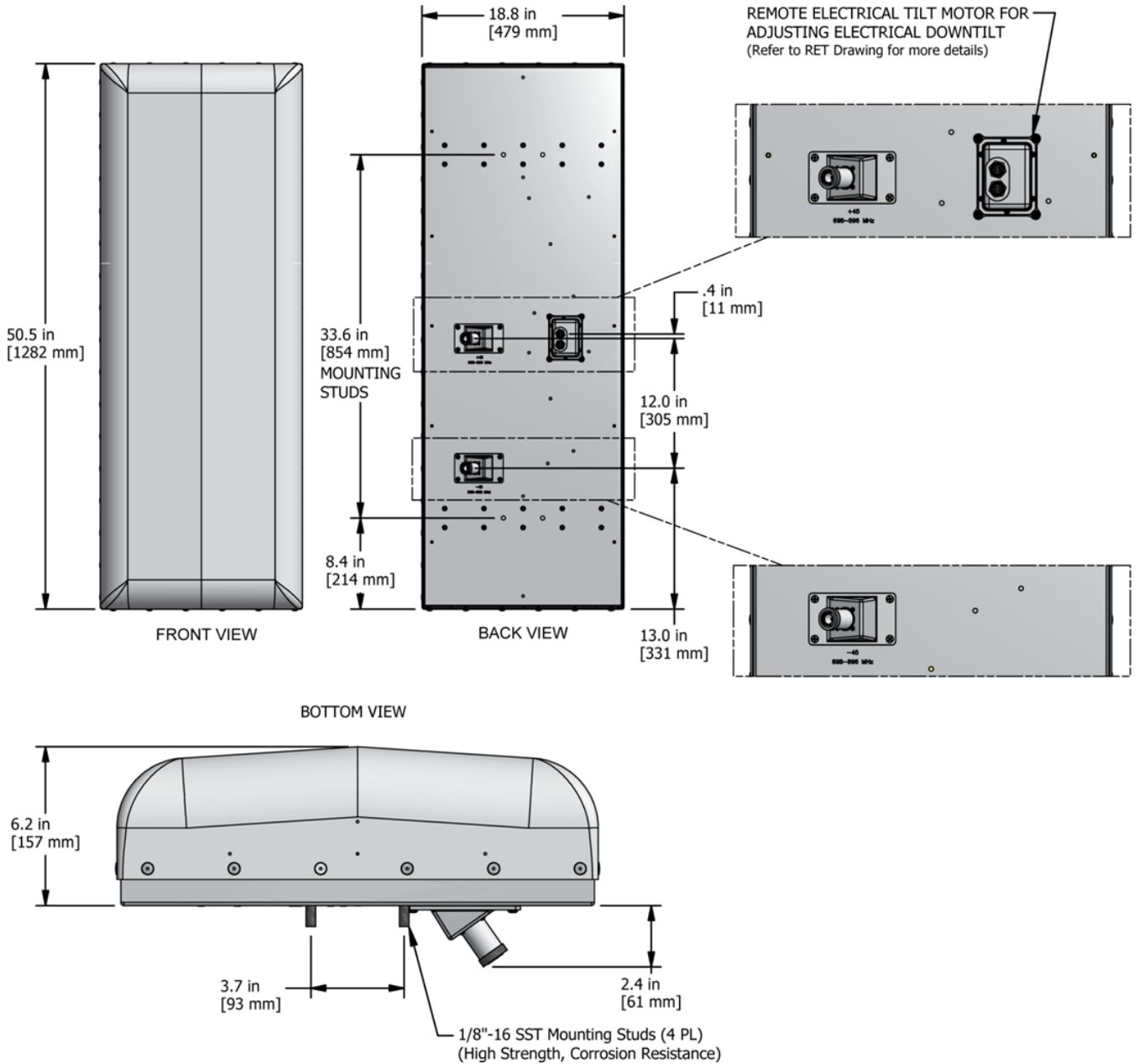
**ORDER INFORMATION**

MODEL	DESCRIPTION
X7C-FRO-440-VR0	Antenna with remote RET adjust electrical downtilt 0-12°
X7C-FRO-440-VR4	Antenna with remote RET adjust electrical downtilt 4-16°
919036	Optional bracket kit, 2-point, 12 deg D-tilt, for 4.5" OD pole

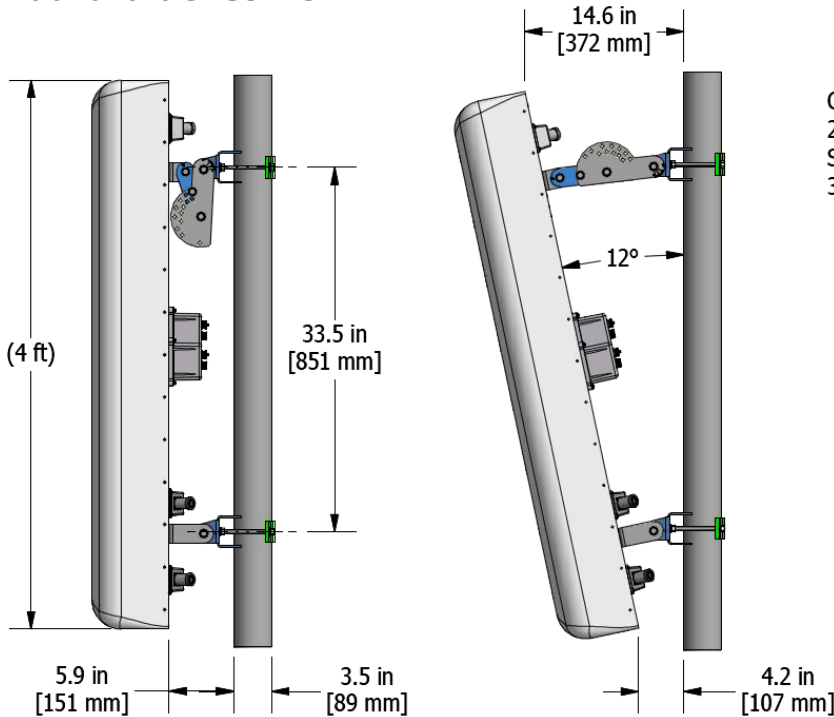
X7C-FRO-440-V

Antenna Systems Group

X7C-FRO-440-VR

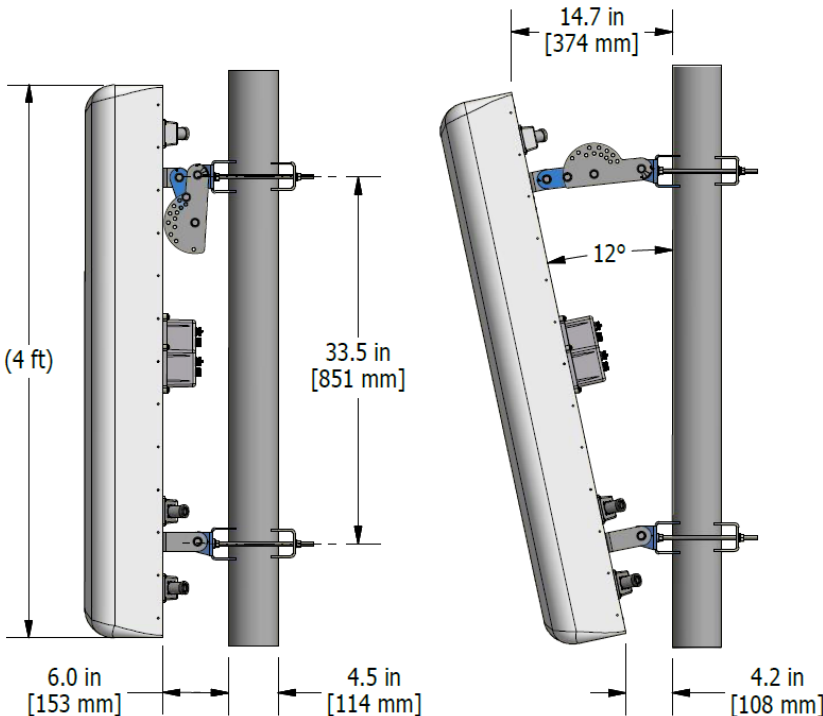


Standard bracket kit



CSS P/N: 919011 BRACKET KIT
 2 POINT, 12 DEGREE DOWN TILT
 SHOWN MOUNTED ON 3.5" O.D. POLE
 3.5" O.D. MAX POLE SIZE

Optional bracket kit



CSS P/N: 919036 BRACKET KIT
 2 POINT, 12 DEGREE DOWN TILT
 SHOWN MOUNTED ON 4.5" O.D. POLE
 4.5" O.D. MAX POLE SIZE