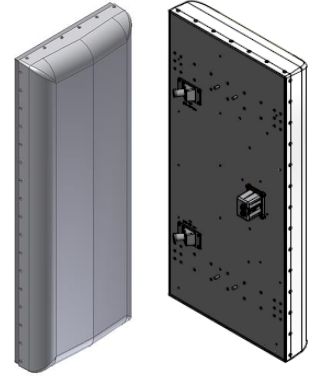


X-Polarization, 698-896 MHz, 50.5", Fast roll-off, 30° Azimuth

Variable E-tilt, RET

- Macro cell antenna
- Fast roll-off (FRO)
- Suitable for LTE/CDMA/UMTS/GSM
- AISG 2.0 RET control



ELECTRICAL SPECIFICATIONS

Frequency Band, MHz	698-824	824-896
Horizontal beamwidth, 3 dB points	35°	30°
Gain, dBi	16.4	17.0
Vertical beamwidth, 3 dB points	17.7°	15.7°
Front-to-back at 180°, dB	>28	
Upper sidelobe suppression, typical, dB	< -18	
Polarization	+/-45°	
Electrical downtilt	0°-12° or 4°-16°	
VSWR / return loss, dB, maximum	1.5:1/-14.0	
Isolation between ports, dB, minimum	>28	
Intermodulation (2 x 20 w), IM3, dBc	-150	
Impedance, ohms	50	
Maximum power per connector, CW (w)	500	

MECHANICAL SPECIFICATIONS

Dimensions, length/width/depth	50.5/24.0/7.0 in. (1283/610/178 mm)
Connector (quantity) type	(2) 7-16 DIN female
Connector torque	220-265 lbf·in (23-30 N·m)
Connector location	Back
Antenna weight	31.4 lb (18.1 kg) est.
Bracket weight	13.2 lb (6.0 kg)
Standard bracket kit	P/N 919046 (included)
Mechanical downtilt range	0-9°
Radome material	High strength Luran®, UV stabilized, ASTM D1925
Wind survival	150 mph (241 km/h)
Front wind load @ 100 mph	209.1 lbf (930.4 N)
Equivalent flat plate @ 100 mph	4.17 sq ft (c=2)

ORDER INFORMATION

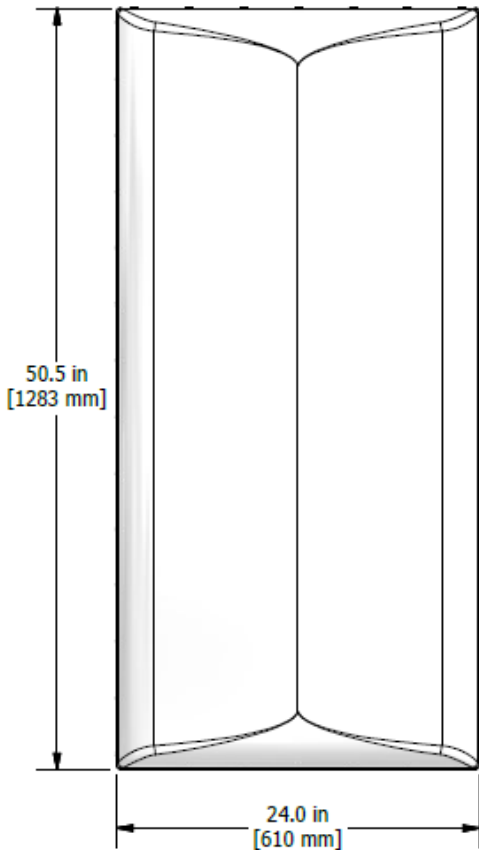
Model	RET-200
Mounting location	Rear of antenna
Weight	1.2 lb (0.54 kg)
Communication standard	AISG 2.0
Control system	PCU-220

**ORDER INFORMATION**

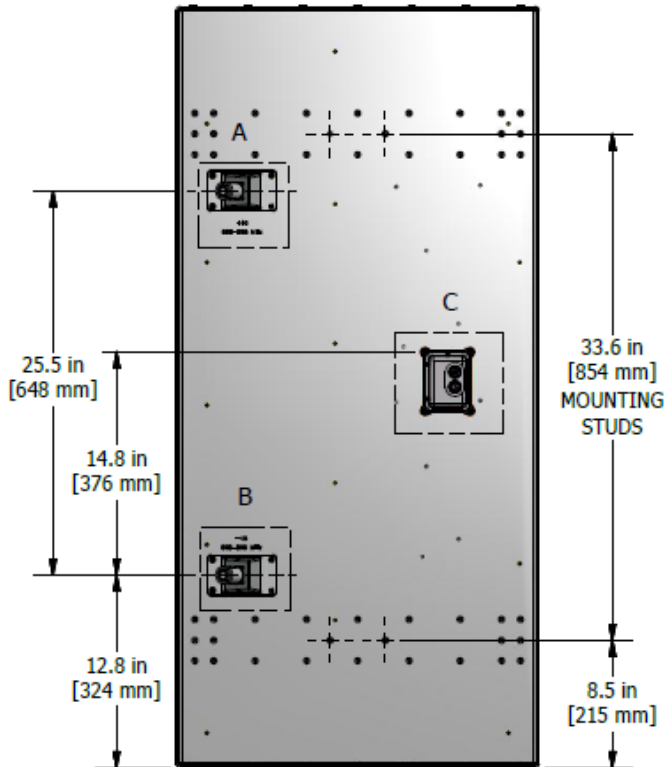
MODEL	DESCRIPTION
X7C-FRO-430-VR0	Antenna with remote RET adjust electrical downtilt 0-12°
X7C-FRO-430-VR4	Antenna with remote RET adjust electrical downtilt 4-16°

Mechanical Outline Drawing: RET Version

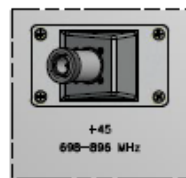
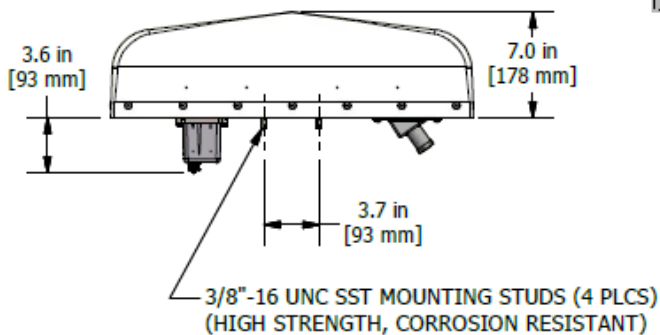
FRONT VIEW



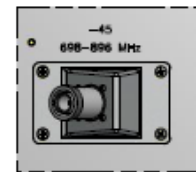
BACK VIEW



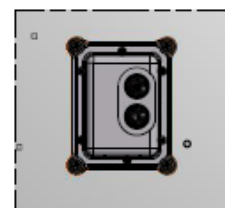
BOTTOM VIEW



DETAIL A

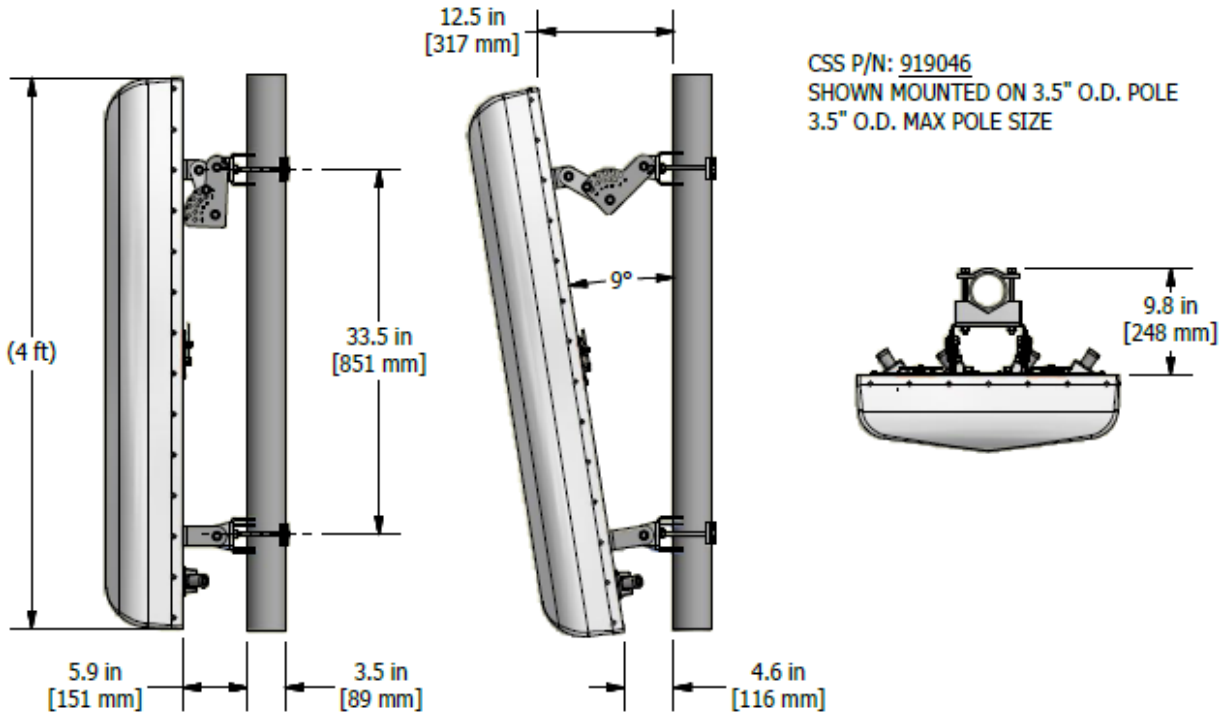


DETAIL B



DETAIL C

Standard Bracket Kit



CSS P/N: 919046
SHOWN MOUNTED ON 3.5" O.D. POLE
3.5" O.D. MAX POLE SIZE