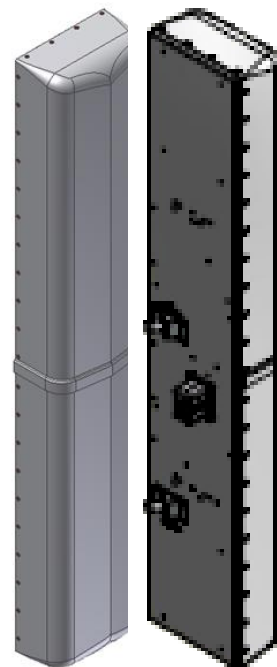


X7C-680-V

X-Polarization, 698-896 MHz, 72", 80° Azimuth Variable E-tilt, RET

- Macro Cell Antenna
- Suitable for LTE/CDMA/UMTS/GSM
- AISG 2.0 RET control



ELECTRICAL SPECIFICATIONS

Frequency Band, MHz	698-824 MHz	824-896 MHz
Horizontal Beamwidth, 3dB points	78°	81°
Gain, dBi	15.2	15.1
Vertical Beamwidth, 3dB points	12.8°	10.4°
Front-to-Back at 180°, dB	> 28	
Upper Sidelobe Suppression, Typical, dB	< -18	
Polarization	+/-45°	
Electrical Downtilt	0°-10° or 4-14°	
VSWR/Return Loss, dB, Maximum	1.5:1/-14.0	
Isolation Between Ports, dB, Minimum	> 28	
Intermodulation (2x20w), IM3, dBc	-150	
Impedance, ohms	50	
Maximum Power Per Connector, CW (w)	500	

MECHANICAL SPECIFICATIONS

Dimensions, Length/Width/Depth	72.0 /12.5/8.1 in (1829/318/198 mm)
Connector (Quantity) Type	(2) 7-16 DIN Female
Connector Torque	220-265 lbf-in (23-30 N-m)
Connector Location	Back
Antenna Weight	30.0 lbs (13.6 kg)
Bracket Weight	13.2 lb (6.0 kg)
Standard Bracket Kit	P/N 919011 (Included)
Mechanical Downtilt Range	0°-10°
Radome Material	High Strength Luran, UV Stabilized, ASTM D1925
Wind Survival	150 mph (241 km/h)
Front Wind Load	175.3 lbf (779.6 N)
Equivalent Flat Plate	3.5 sq-ft (c=2)

RET INFORMATION

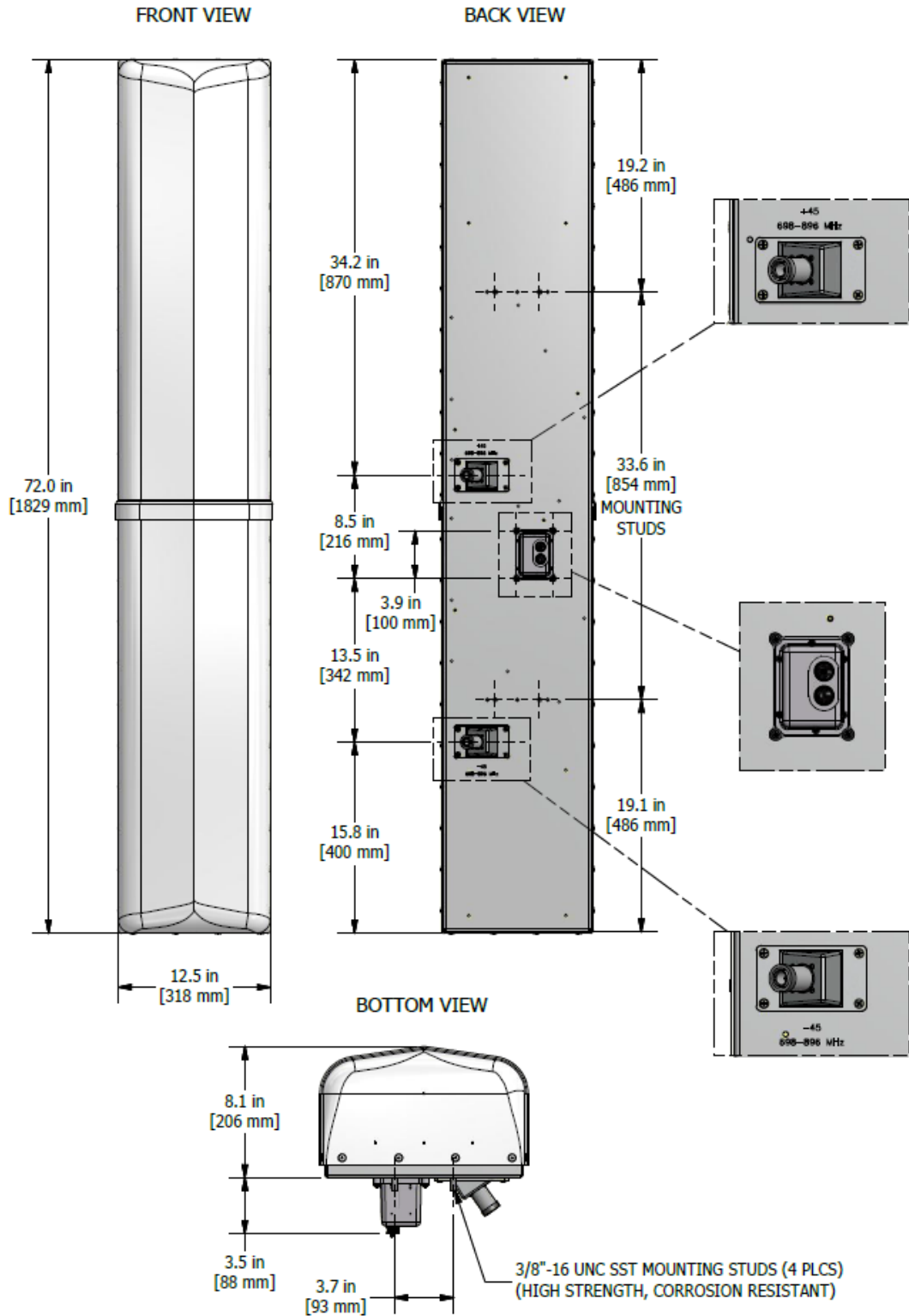
Model	RET-200
Mounting Location	Rear of Antenna
Weight	1.2 lb (0.54 kg)
Communication Standard	AISG 2.0
Control System	PCU-220



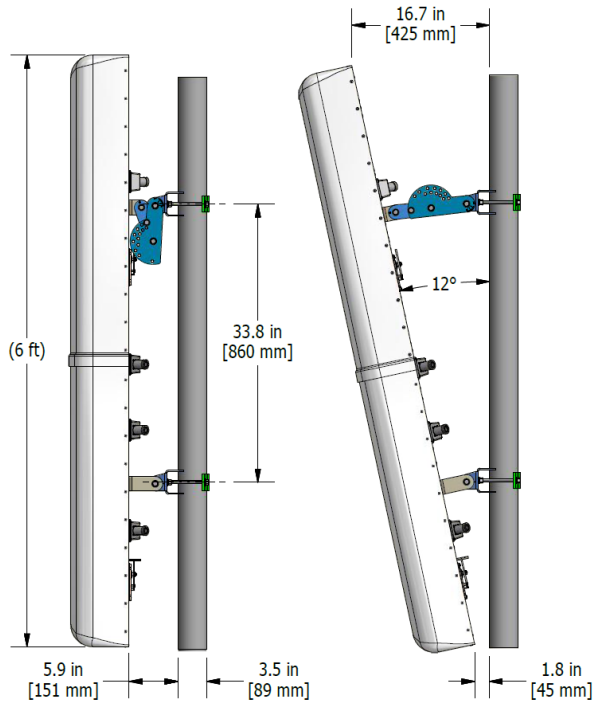
ORDER INFORMATION

MODEL	DESCRIPTION
X7C-680-VR0	Antenna with remote RET adjust electrical downtilt 0-10°
919036	Optional Bracket Kit, 2-Point, 12deg D-tilt, For 4.5" OD Pole

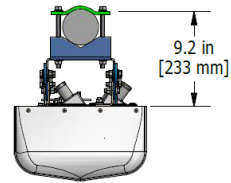
Mechanical Outline Drawing: RET Version



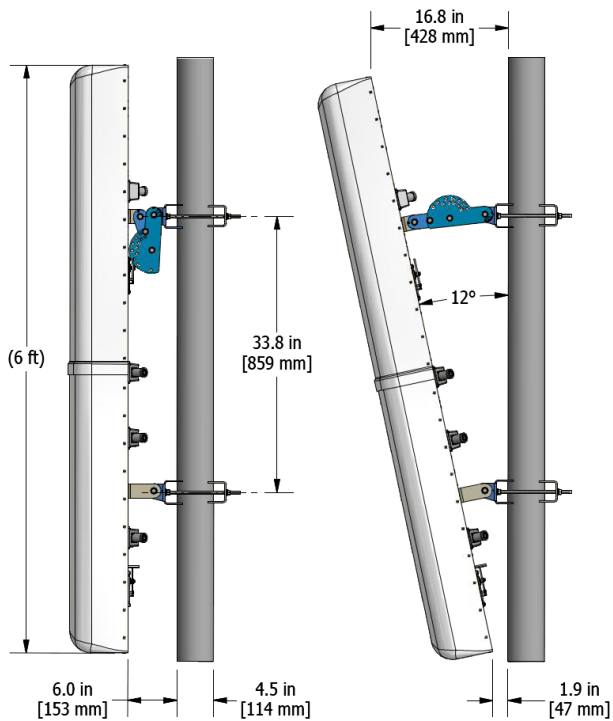
Standard Bracket Kit



CSS P/N: 919011 BRACKET KIT
2 POINT, 12 DEGREE DOWN TILT
SHOWN MOUNTED ON 3.5" O.D. POLE
3.5" O.D. MAX POLE SIZE



Optional Bracket Kit



CSS P/N: 919036 BRACKET KIT
2 POINT, 12 DEGREE DOWN TILT
SHOWN MOUNTED ON 4.5" O.D. POLE
4.5" O.D. MAX POLE SIZE

