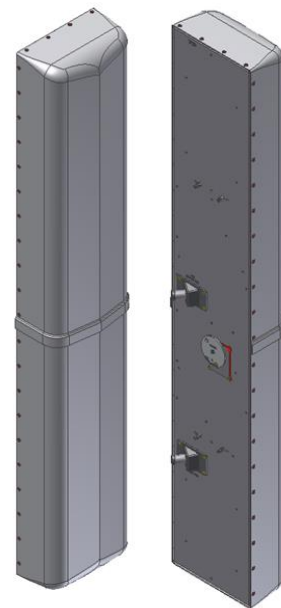


X7C-665-V

X-Polarization, 698-896MHz, 72", 60° H-Beam, Variable E-tilt
RET

- Macro Cell Antenna
- Suitable for LTE/CDMA/UMTS/GSM
- AISG 2.0 RET Control



ELECTRICAL SPECIFICATIONS

| Frequency Band, MHz | 698-824 MHz | 824-896 MHz |
|---|----------------|-------------|
| Horizontal Beamwidth, 3dB points | 69° | 63° |
| Gain, dBi | 15.4 | 16.2 |
| Vertical Beamwidth, 3dB points | 12.0° | 10.1° |
| Front-to-Back at 180°, dB | >28 | >28 |
| Upper Sidelobe Suppression, Typical, dB | <-18 | <-18 |
| Polarization | +/-45° | |
| Electrical Downtilt | 0-10° or 4-14° | |
| VSWR/Return Loss, dB, Maximum | 1.5:1/-14.0 | |
| Isolation Between Ports, dB, Minimum | -28 | |
| Intermodulation (2x20w), IM3, dBc | -150 | |
| Impedance, ohms | 50 | |
| Maximum Power Per Connector, CW (w) | 500 | |

MECHANICAL SPECIFICATIONS

| | |
|--------------------------------|--|
| Dimensions, Length/Width/Depth | 72/12.5/7.3 in (1829/318/186 mm) |
| Connector (Quantity) Type | (2) 7-16 DIN Female |
| Connector Torque | 220-265 lbf-in (23-30 N-m) |
| Connector Location | Back |
| Antenna Weight | 31.6 lbs (14.3 kg) |
| Bracket Weight | 18.2 lb (8.2 kg) |
| Standard Bracket Kit | P/N 919011 (Included) |
| Mechanical Downtilt Range | 0-12° |
| Radome Material | High Strength Luran, UV Stabilized, ASTM D1925 |
| Wind Survival | 150 mph (241 km/h) |
| Front Wind Load | 175.3 lbf (779.6 N) @100mph |
| Equivalent Flat Plate | 3.50 sq-ft (c=2) @ 100mph |

RET INFORMATION

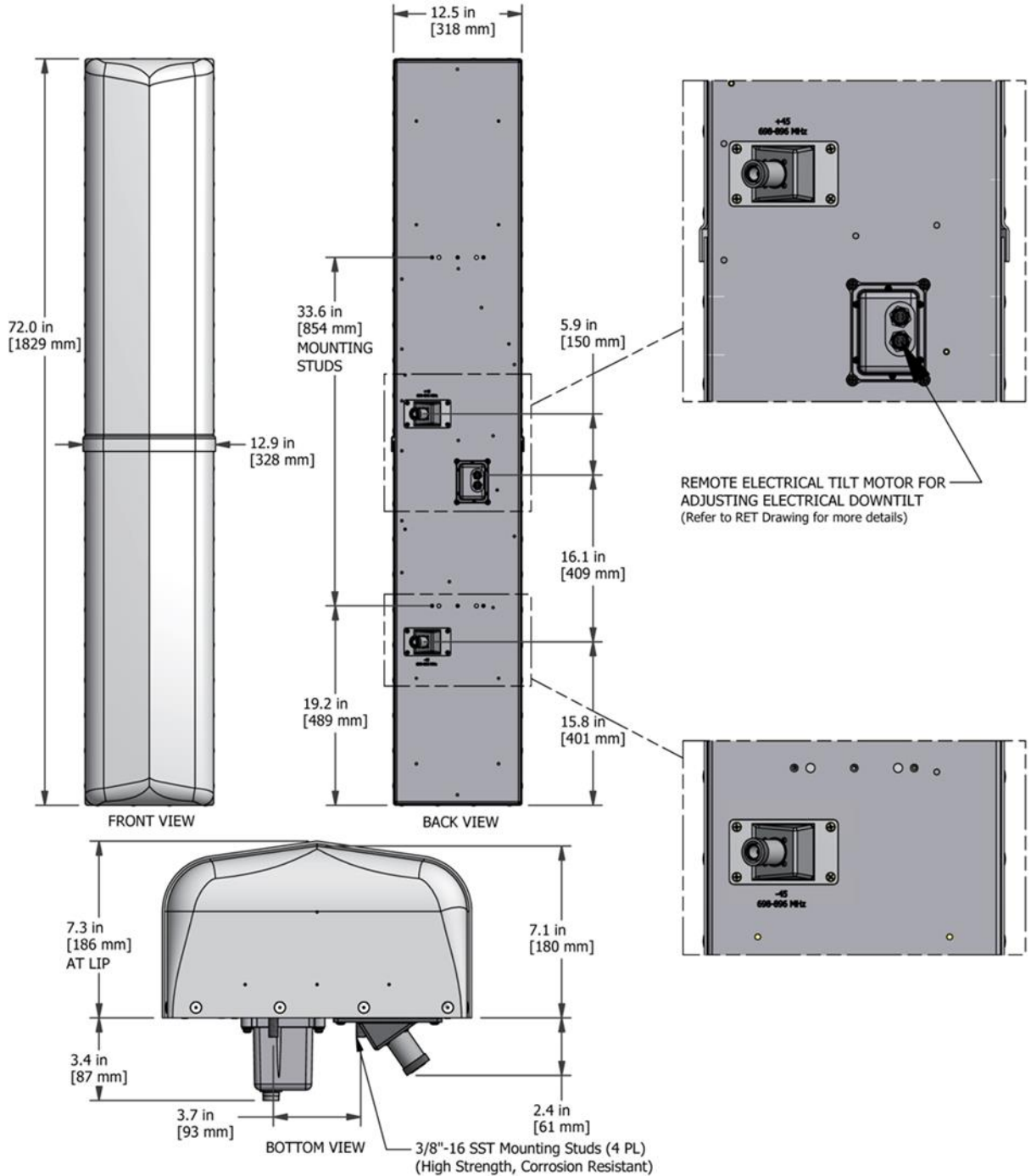
| | |
|------------------------|------------------|
| Model | RET-200 |
| Mounting Location | Rear of Antenna |
| Weight | 1.2 lb (0.54 kg) |
| Communication Standard | AISG 2.0 |
| Control System | PCU-1000 |



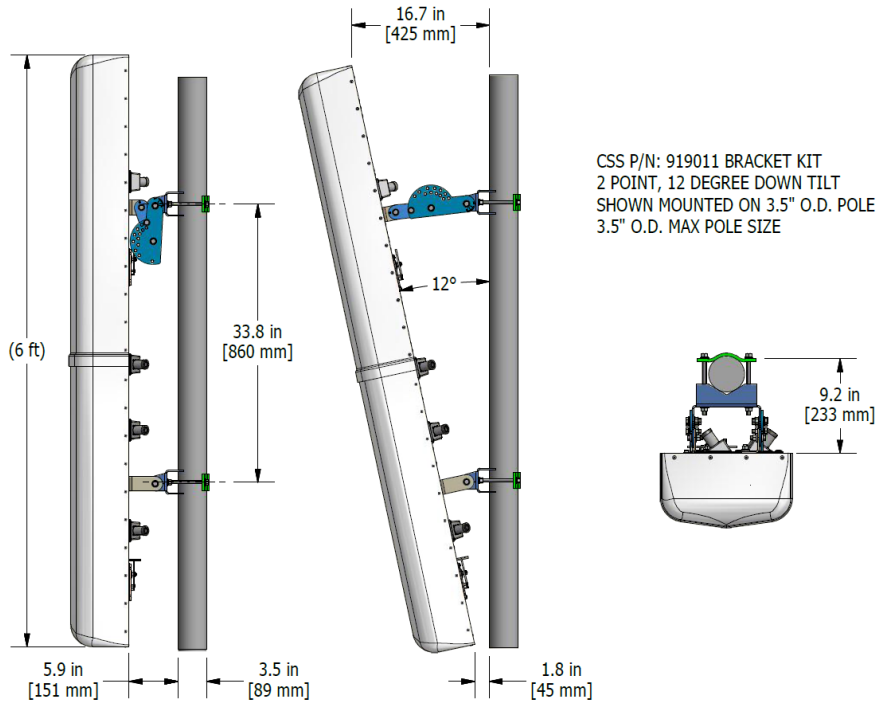
ORDER INFORMATION

| MODEL | DESCRIPTION |
|-------------|---|
| X7C-665-VR0 | Antenna with remote RET adjust electrical downtilt 0-10° |
| X7C-665-VR4 | Antenna with remote RET adjust electrical downtilt 4-14° |
| 919036 | Optional Bracket Kit, 2-Point, 12deg D-tilt, For 4.5" OD Pole |

Mechanical Outline Drawing: RET Version



Standard Bracket Kit



Optional Bracket Kit

