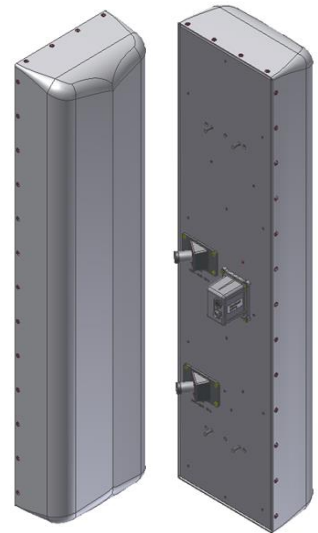


X7C-480-V

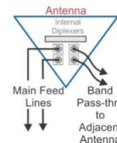
X-Polarization, 698-896MHz, 50.5", 80° H-Beam
 Variable E-Tilt, RET

- Macro Cell Antenna
- Suitable for LTE/CDMA/UMTS/GSM
- Optional Internal Diplexers
- AISG 2.0 RET control



Available with Integrated Diplexers

Reduces mainline cables
 Eliminates External Tower Devices



ELECTRICAL SPECIFICATIONS

Frequency Band, MHz	698-824 MHz	824-896 MHz
Horizontal Beam width, 3dB points	77°	83°
Gain, dBi	13.8	13.3
Vertical Beam width, 3dB points	17.7°	15.5°
Front-to-Back at 180°, dB	>25	
Upper Side lobe Suppression, Typical, dB	< -18	
Polarization	+/-45°	
Electrical Down tilt	0°-12° or 4-16°	
VSWR/Return Loss, dB, Maximum	1.5:1/-14.0	
Isolation Between Ports, dB, Minimum	26	
Intermodulation (2x20w), IM3, dBc	-150	
Impedance, ohms	50	
Maximum Power Per Connector, CW (w)	500	

MECHANICAL SPECIFICATIONS

Dimensions, Length/Width/Depth	50.5/12.5/7.1 in (1282/318/180 mm)
Connector (Quantity) Type	(2) 7-16 DIN Female
Connector Torque	220-265 lbf-in (23-30 N-m)
Connector Location	Back
Antenna Weight	21.6 lbs (9.8 kg)
Bracket Weight	13.2 lb (6.0 kg)
Standard Bracket Kit	P/N 919011 (Included)
Mechanical Downtilt Range	0-12°
Radome Material	High Strength Luran, UV Stabilized, ASTM D1925
Wind Survival	150 mph (241 km/h)
Front Wind Load	122.9 lbf (546.8 N) @ 100mph
Equivalent Flat Plate	2.45 sq-ft (c=2) @ 100mph

RET INFORMATION

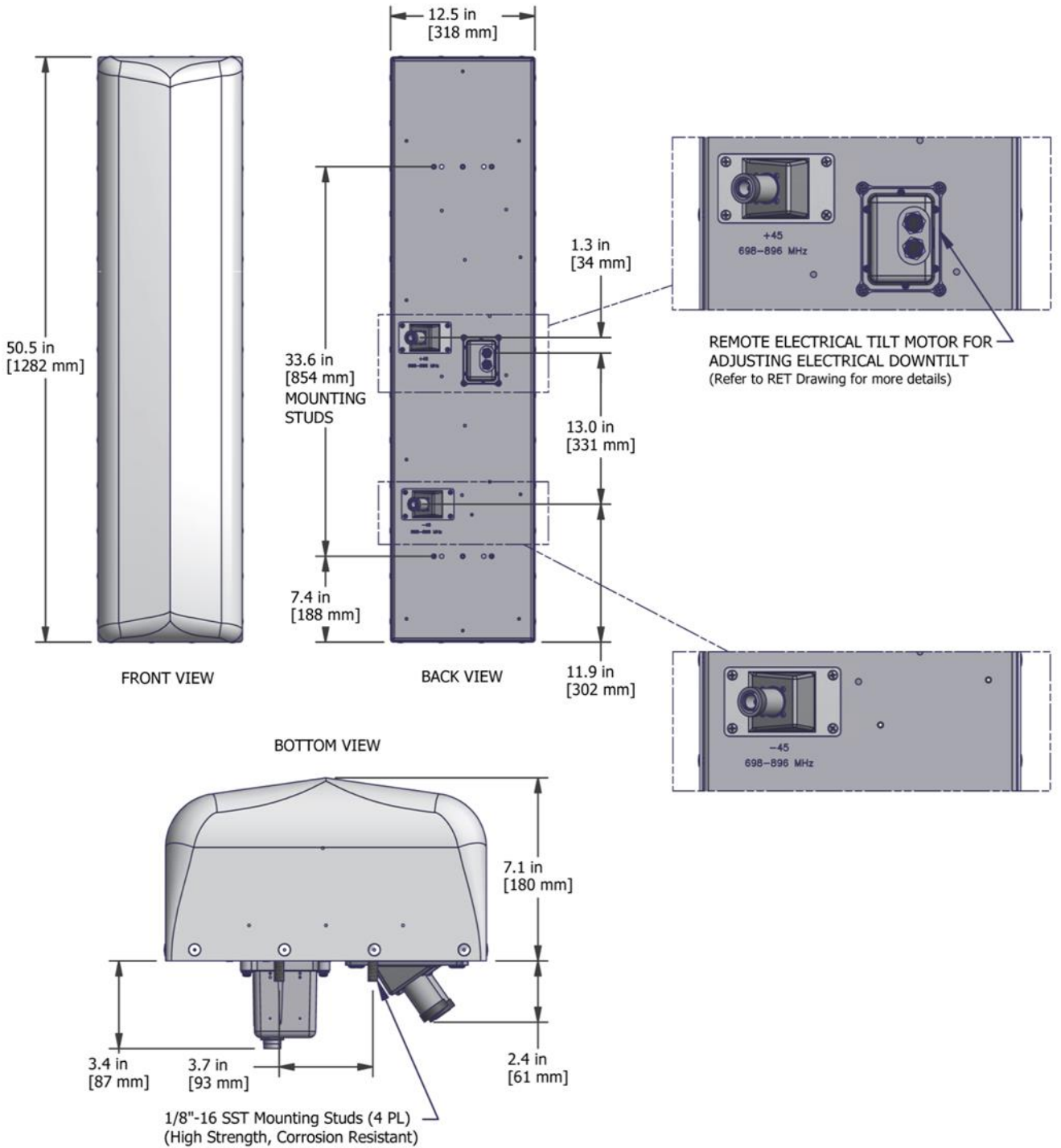
Model	RET-200
Mounting Location	Rear of Antenna
Weight	1.2 lb (0.54 kg)
Communication Standard	AISG 2.0
Control System	PCU-220



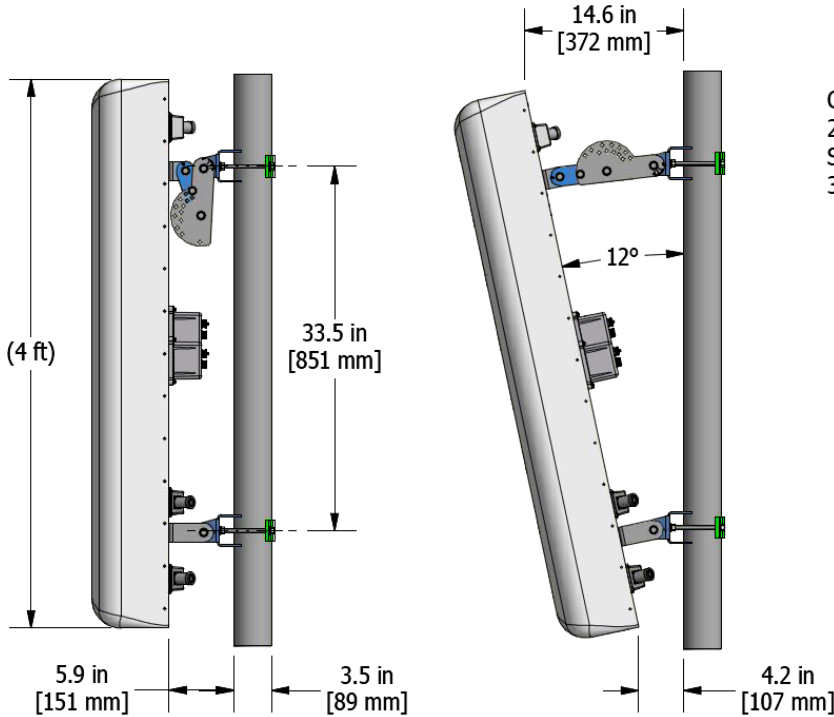
ORDER INFORMATION

MODEL	DESCRIPTION
X7C-480-VR0	Antenna with remote RET adjust electrical downtilt 0-12°
X7C-480-VR4	Antenna with remote RET adjust electrical downtilt 4-16°
919036	Optional Bracket Kit, 2-Point, 12deg D-tilt, For 4.5" OD Pole

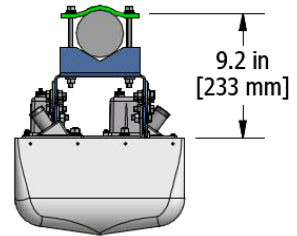
X7C-480-VR



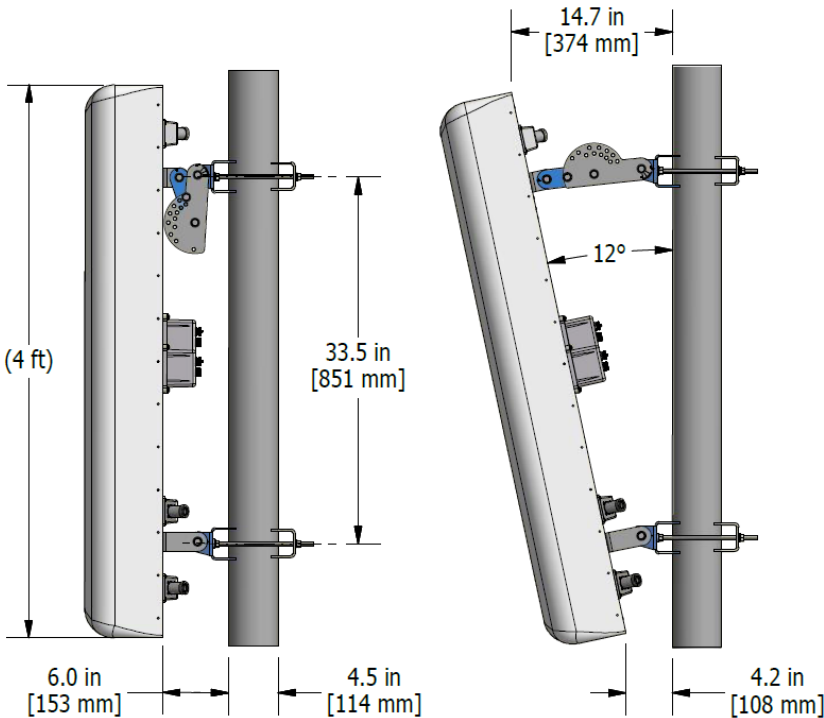
Standard Bracket Kit



CSS P/N: 919011 BRACKET KIT
 2 POINT, 12 DEGREE DOWN TILT
 SHOWN MOUNTED ON 3.5" O.D. POLE
 3.5" O.D. MAX POLE SIZE



Optional Bracket Kit



CSS P/N: 919036 BRACKET KIT
 2 POINT, 12 DEGREE DOWN TILT
 SHOWN MOUNTED ON 4.5" O.D. POLE
 4.5" O.D. MAX POLE SIZE

