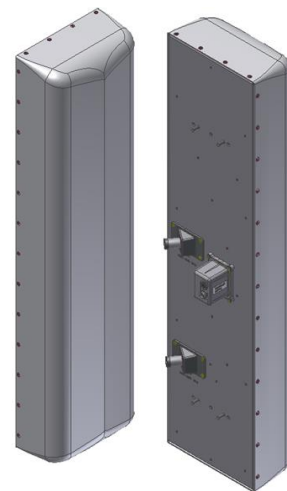


## X7C-465-V

X-Polarization, 698-896MHz, 50.5", 65° H-Beams  
RET

- Macro Cell Antenna
- Suitable for LTE/CDMA/UMTS/GSM
- AISG 2.0 RET Control



### ELECTRICAL SPECIFICATIONS

Frequency Band, MHz	698-824	824-896
Horizontal Beamwidth, 3dB points	70°	65°
Gain, dBi	14.1	14.7
Vertical Beamwidth, 3dB points	17.3°	15.3°
Front-to-Back at 180°, dB	>25	>25
Upper Sidelobe Suppression, Typical, dB	-17	-17
Polarization	+/-45°	
Electrical Downtilt	0-12° or 4-16°	
VSWR/Return Loss, dB, Maximum	1.5:1/-14.0	
Isolation Between Ports, dB, Minimum	>28	
Intermodulation (2x20w), IM3, dBc	-150	
Impedance, ohms	50	
Maximum Power Per Connector, CW (w)	500	

## MECHANICAL SPECIFICATIONS

Dimensions, Length/Width/Depth	50.5/12.5/7.1 in (1282/318/180 mm)
Connector (Quantity) Type	(2) 7-16 DIN Female
Connector Torque	220-265 lbf-in (23-30 N-m)
Connector Location	Back
Antenna Weight	22 lbs (10. kg)
Bracket Weight	13.2 lb (6.0 kg)
Standard Bracket Kit	P/N 919011 (Included)
Mechanical Downtilt Range	0-12°
Radome Material	High Strength Luran, UV Stabilized, ASTM D1925
Wind Survival	150 mph (241 km/h)
Front Wind Load	122.9 lbf (546.8 N) @100mph
Equivalent Flat Plate	2.53 sq-ft (c=2) @ 100mph

## RET INFORMATION

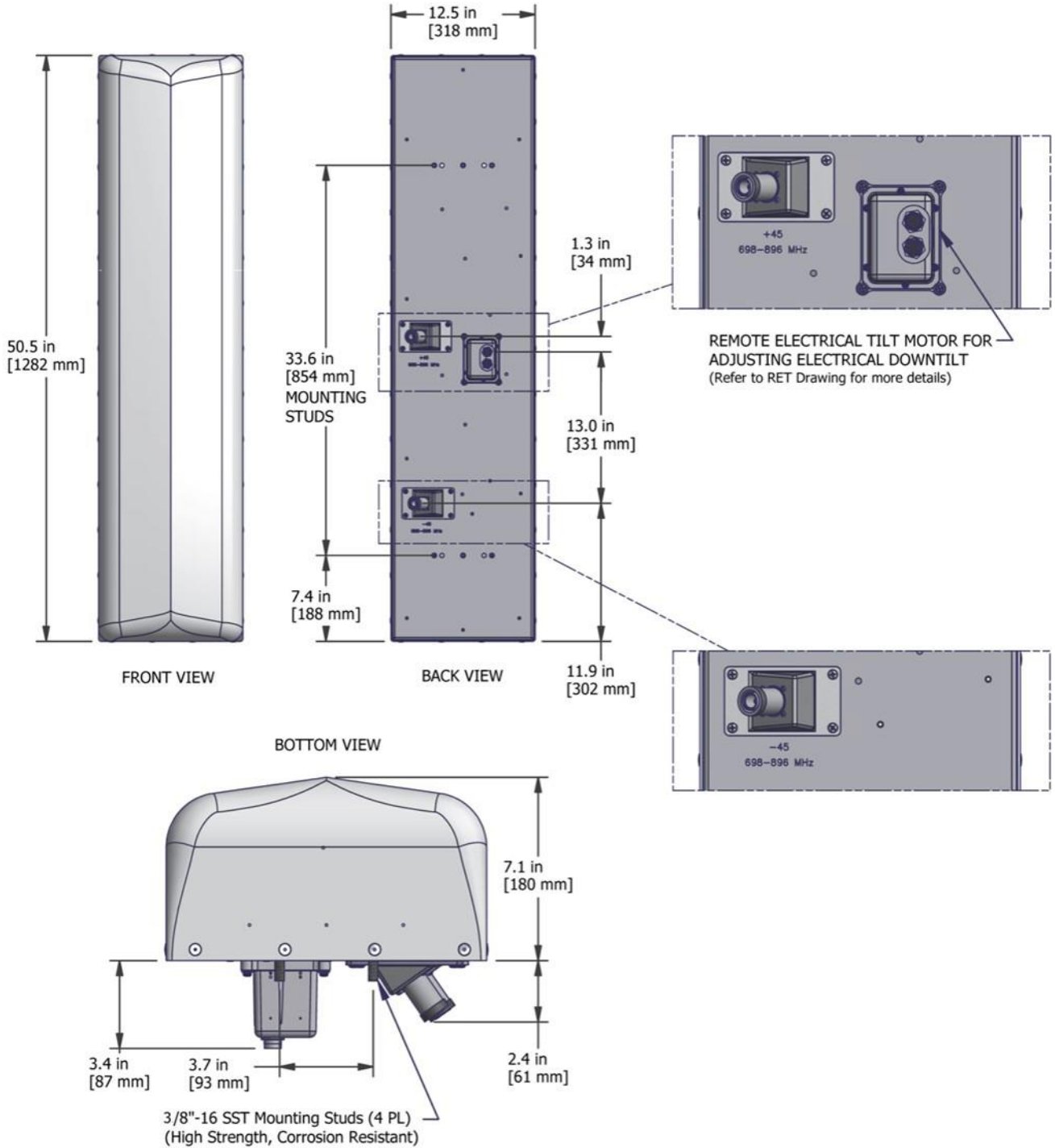
Model	RET-200
Mounting Location	Rear of Antenna
Weight	1.2 lb (0.54 kg)
Communication Standard	AISG 2.0
Control System	PCU-220



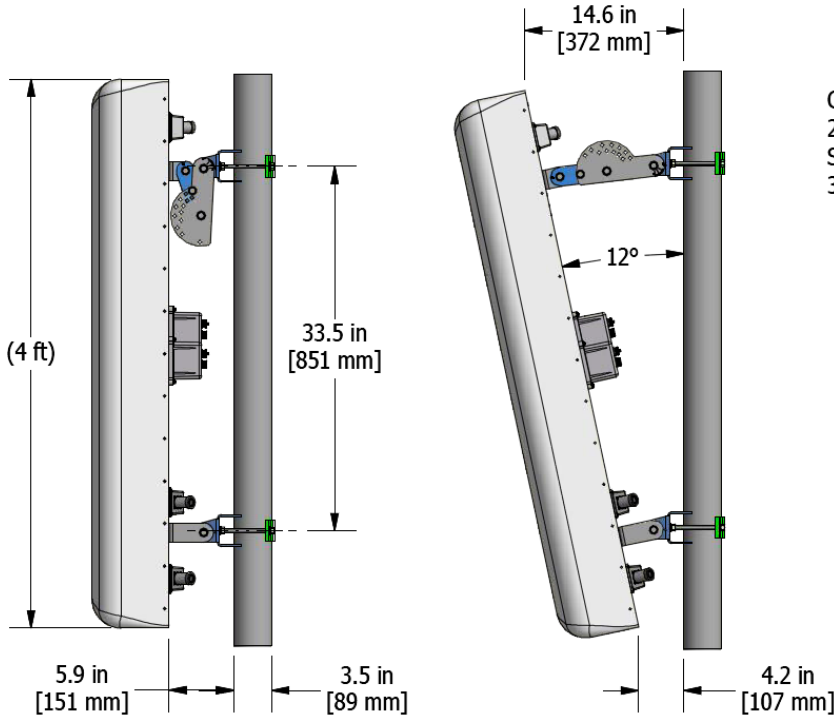
## ORDER INFORMATION

MODEL	DESCRIPTION
X7C-465-VR0	Antenna with remote RET adjust electrical downtilt 0-12°
X7C-465-VR4	Antenna with remote RET adjust electrical downtilt 4-16°
919036	Optional Bracket Kit, 2-Point, 12deg D-tilt, For 4.5" OD Pole

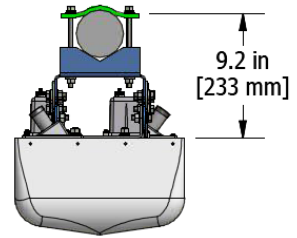
### Mechanical Outline Drawing: RET Version



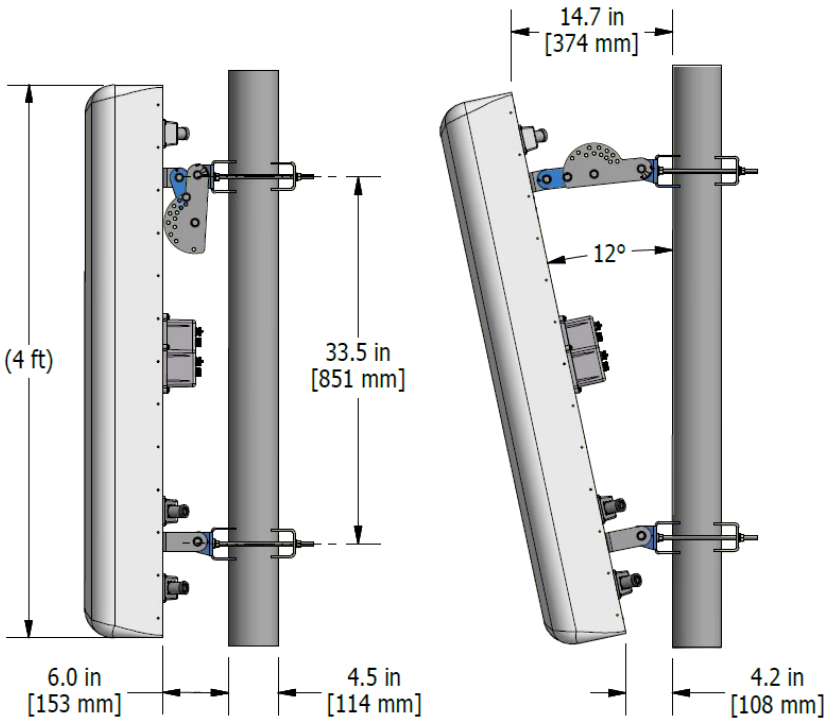
### Standard Bracket Kit



CSS P/N: 919011 BRACKET KIT  
 2 POINT, 12 DEGREE DOWN TILT  
 SHOWN MOUNTED ON 3.5" O.D. POLE  
 3.5" O.D. MAX POLE SIZE



### Optional Bracket Kit



CSS P/N: 919036 BRACKET KIT  
 2 POINT, 12 DEGREE DOWN TILT  
 SHOWN MOUNTED ON 4.5" O.D. POLE  
 4.5" O.D. MAX POLE SIZE

