

X7C-265

X-Pol Single Band Antenna, 698-896MHz, 24.3", 65° H-Beam

- Fixed Tilt Antenna
- Suitable for LTE/CDMA/UMTS/GSM



ELECTRICAL SPECIFICATIONS

Frequency Band, MHz	698-896	824-896
Horizontal Beamwidth, 3dB points	63°	63°
Gain, dBi	11.8	12.1
Vertical Beamwidth, 3dB points	28°	28°
Front-to-Back at 180°, dB	>27 dB	>27 dB
Polarization	+/-45°	
Electrical Downtilt	0°	
VSWR/Return Loss, dB, Maximum	1.5:1/-14.0	
Isolation Between Ports, dB, Minimum	< -28	
Intermodulation (2x20w), IM3, dBc	-150	
Impedance, ohms	50	
Maximum Power Per Connector, CW (w)	500	
Lightning Protection	DC Ground	

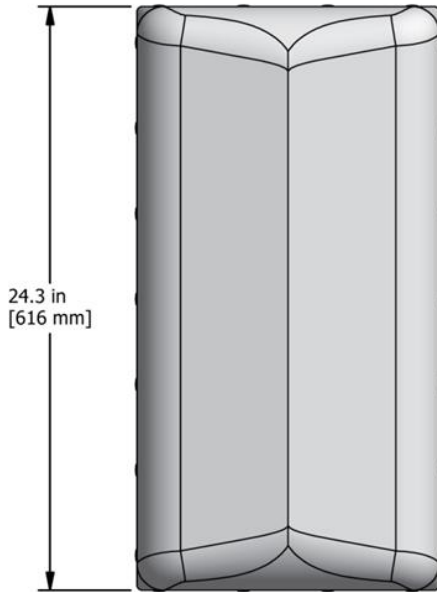
MECHANICAL SPECIFICATIONS

Dimensions, Length/Width/Depth	24.0/12.5/7.1 in (609/318/180 mm)
Connector (Quantity) Type	(2) 7-16 DIN Female
Connector Torque	220-265 lbf-in (23-30 N-m)
Connector Location	Back or Bottom
Antenna Weight	9.0 lbs
Bracket Weight	12.6
Standard Bracket Kit	P/N 919017 (Included)
Mechanical Downtilt Range	0-21°
Radome Material	High Strength Luran, UV Stabilized, ASTM D1925
Wind Survival	150 mph (241 km/h)
Front Wind Load	52.5 lbf (233.4 N) @100mph
Equivalent Flat Plate	1.04 sq-ft (c=2) @ 100mph

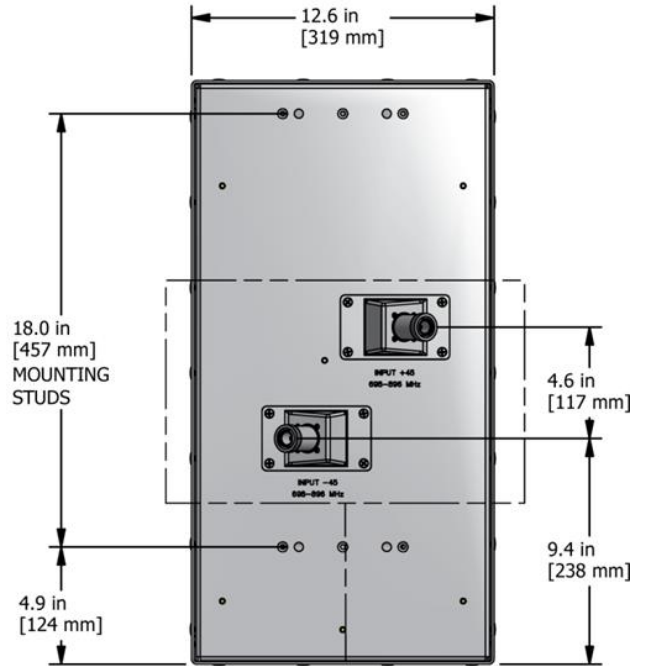
ORDER INFORMATION

MODEL	DESCRIPTION
X7C-265-0	X-Pol antenna with 2 DIN connectors, 0° E-tilt

Mechanical Outline Drawing

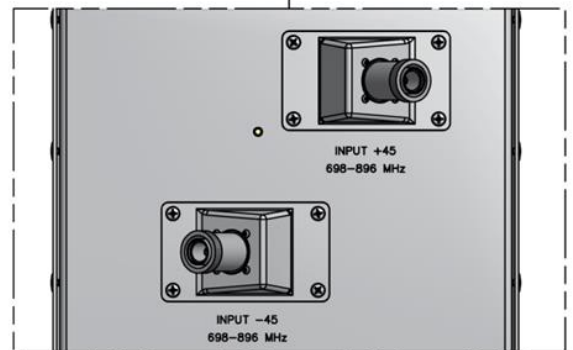
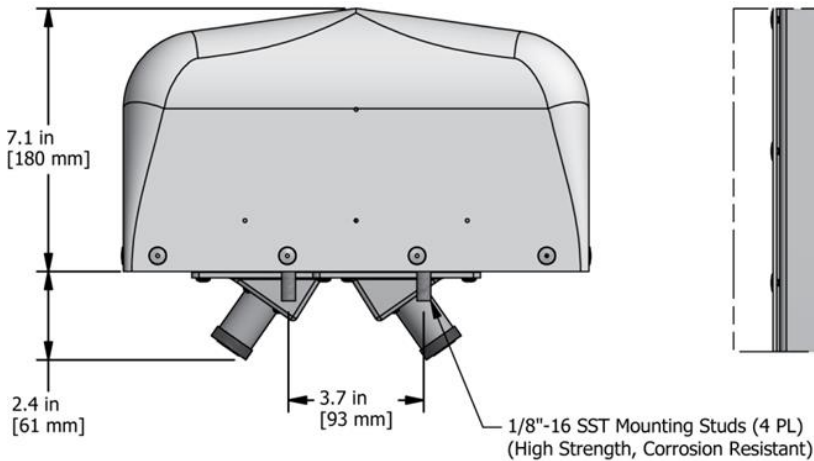


FRONT VIEW

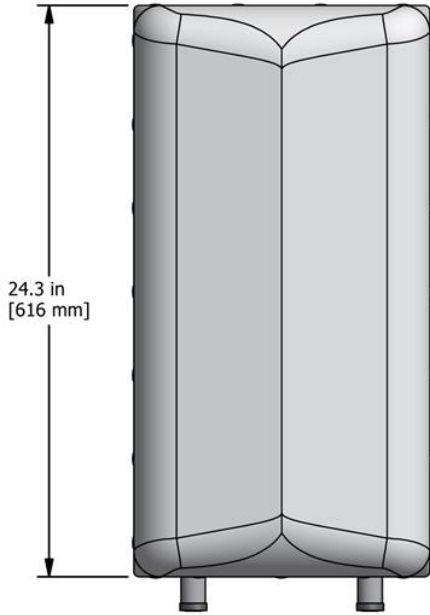


BACK VIEW

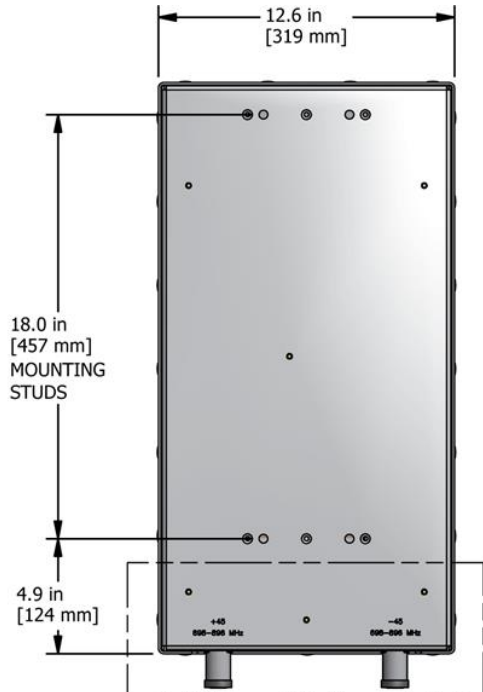
BOTTOM VIEW



X7C-265-B

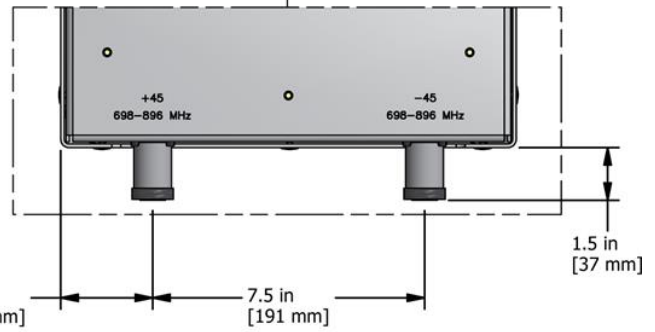
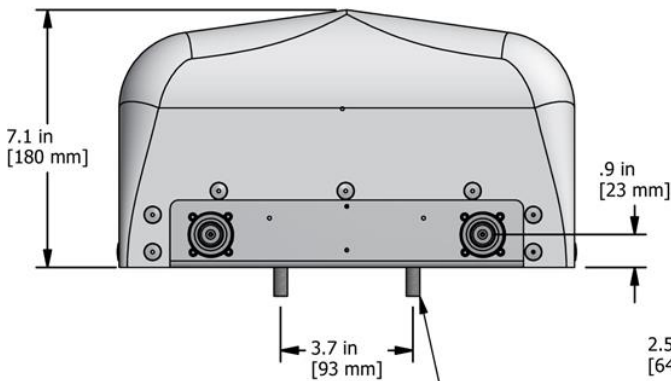


FRONT VIEW



BACK VIEW

BOTTOM VIEW



1/8"-16 SST Mounting Studs (4 PL)
(High Strength, Corrosion Resistant)