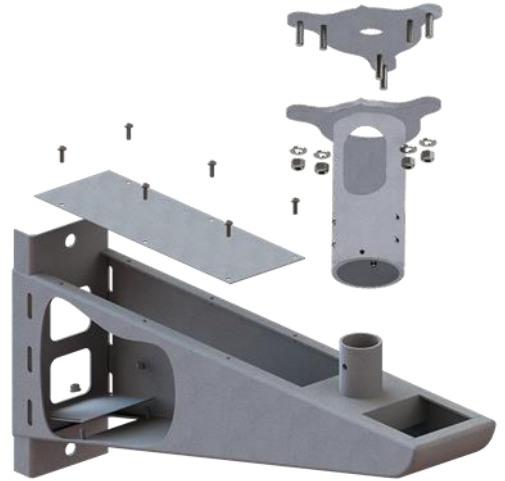


# Side-arm Antenna Mount

## SC-BKT-SA-XX

### Small Cell solutions

JMA's proven wireless solutions are ideal complements to all infrastructure upgrades or retrofit projects. Our standard systems integrate with any antenna and radio configurations, effortlessly blend into urban/suburban environments, and withstand harsh weather conditions. This platform accommodates multiple shapes, sizes, and weights, providing flexibility for future hardware needs. The product portfolio includes ultra-RF transparent, maintenance-free coverings, high-strength steel mounting brackets, and light-weight, durable carbon fiber poles.



### General specifications

- All-steel construction, rated for high wind zones
- Penetrating or clamping Side-Arm attachments
- Universal platform for all hardware options
- Optional color-matching shroud available
- Hollow core for concealing cables or diplexers
- Color-coordinated wireway systems available
- Adjustable bracing for varying pole diameters
- Modular configurations blend into any environment

### Ordering information

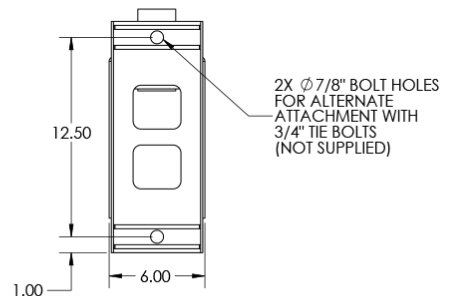
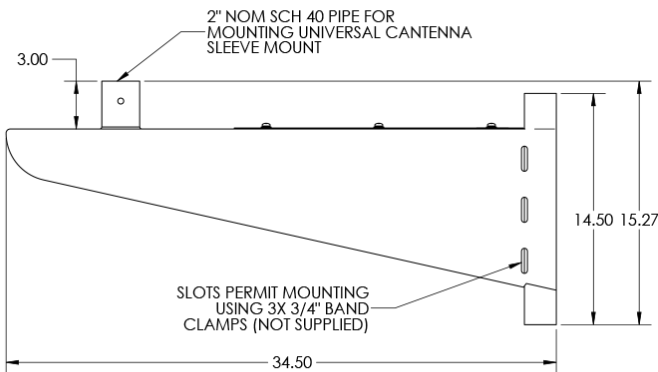
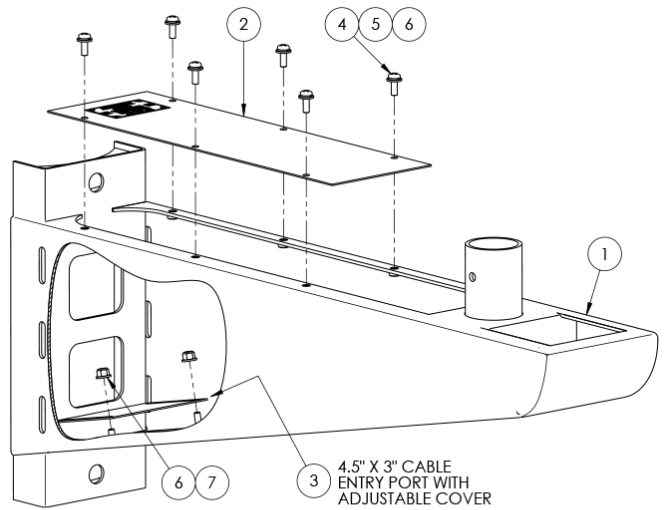
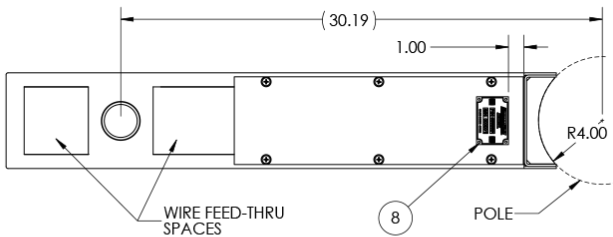
Part number	Description
SC-BKT-SA-BR	Side-arm mount w/ sleeve - brown
SC-BKT-SA-GR	Side-arm mount w/ sleeve - gray
SC-BKT-SA-BL	Side-arm mount w/ sleeve - black
SC-BKT-SA-SL	Side-arm mount w/ sleeve - silver
Optional shrouds, CX series cylinders (sold separately)	Description
SC-BKT-SKTCX-BR	Cable concealment shroud, CX series - brown
SC-BKT-SKTCX-GR	Cable concealment shroud, CX series - gray
SC-BKT-SKTCX-BL	Cable concealment shroud, CX series - black
SC-BKT-SKTCX-SL	Cable concealment shroud, CX series - silver

# Side-arm Antenna Mount

## SC-BKT-SA-XX

### Mechanical drawings: SC-BKT-SA-XX

Item no.	Qty	Description
1	1	SIDE-ARM WELDMENT WITH 2" PIPE STUB, BROWN
2	1	COVER, SIDE-ARM, BROWN
3	1	WIRE FEEDTHRU COVER, SIDE-ARM, BROWN
4	6	PHMS, PH, 1/4"-20UNC X 3/4" LG, 18-8 SS
5	6	WASHER, SPLIT LOCK, 1/4", 18-8 SS
6	8	WASHER, FLAT, 1/4", 18-8 SS
7	2	NUT, HEX, NYLOK, 1/4"-20UNC, 18-8 SS
8	1	NAMEPLATE, LABEL, ADHESIVE-BACKED



# Side-arm Antenna Mount

## SC-BKT-SA-XX

### Mechanical Drawings: SC-BKT-SLA, Universal Cantenna Sleeve (included)

Item No.	Qty	Description
1	1	UNIVERSAL CANTENNA SLEEVE WELDMENT
2	1	SINGLE BOLT ADAPTER PLATE
3	6	SET SCREW, 5/16"-18UNC, CUP POINT, 5/16" LG, 18-8 SS
4	6	WASHER, FLAT, 5/16" 18-8 SS
5	6	NUT, NYLOCK, 5/16"-18UNC, 18-8 SS
6	1	NAMEPLATE, LABEL, ADHESIVE-BACKED
7	1	CORROSION-RESISTANT ANTI-SEIZE LUBRICANT 0.14 oz

