

RET-200

RET Motor Assembly, AISG 2.0

- Electrically Controls the Antenna RF Tilt
- Low power Consumption @ Idle stage
- Supports AISG v2 Protocol Only
- AISG RS485 Male/Female Connector
- Supports Daisy chaining



ELECTRICAL SPECIFICATIONS

Input/supply Voltage	10-30Volts
Power Consumption	2W Max standby, 10W Max Active Motor
AISG connector (RS485 Interface + DC)	8 PIN Female & 8 Pin Male AISG C091 connectors
RET-200 Master Controller	PCU-220 AISG v2 only

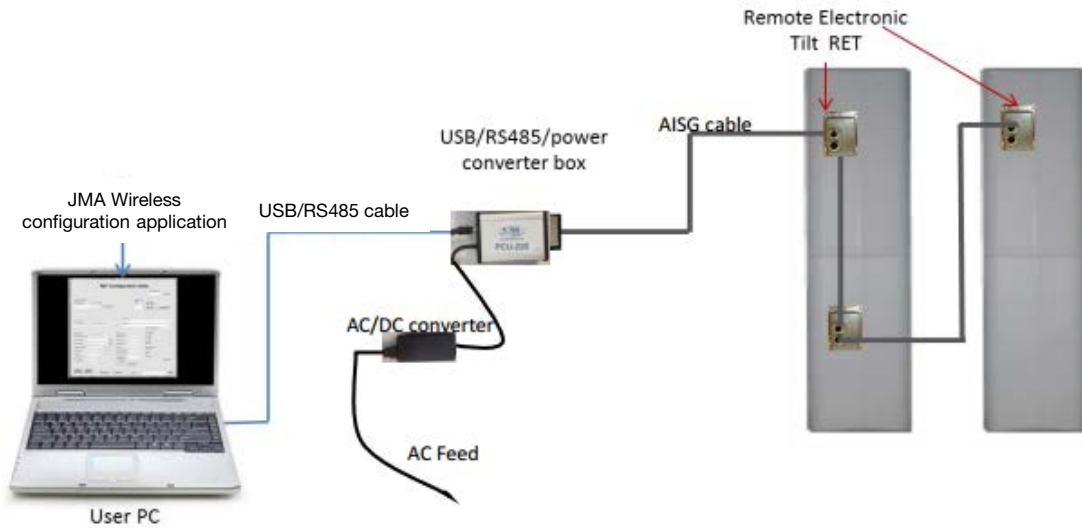
MECHANICAL SPECIFICATIONS

RET-200 Dimension	3.4/2.4/1.3 in (86.3/60.9/33.0mm)
AISG Connector Torque	Minimum .5Nm to Maximum 1.0Nm (Hand Pressure & Finger Tight connector)
Mounting Location	Back of Antenna
RET Weight	1.2 lbs (.054 kg)

SOFTWARE SPECIFICATIONS

RET-200 (RET) software	AISG v2 only
------------------------	--------------

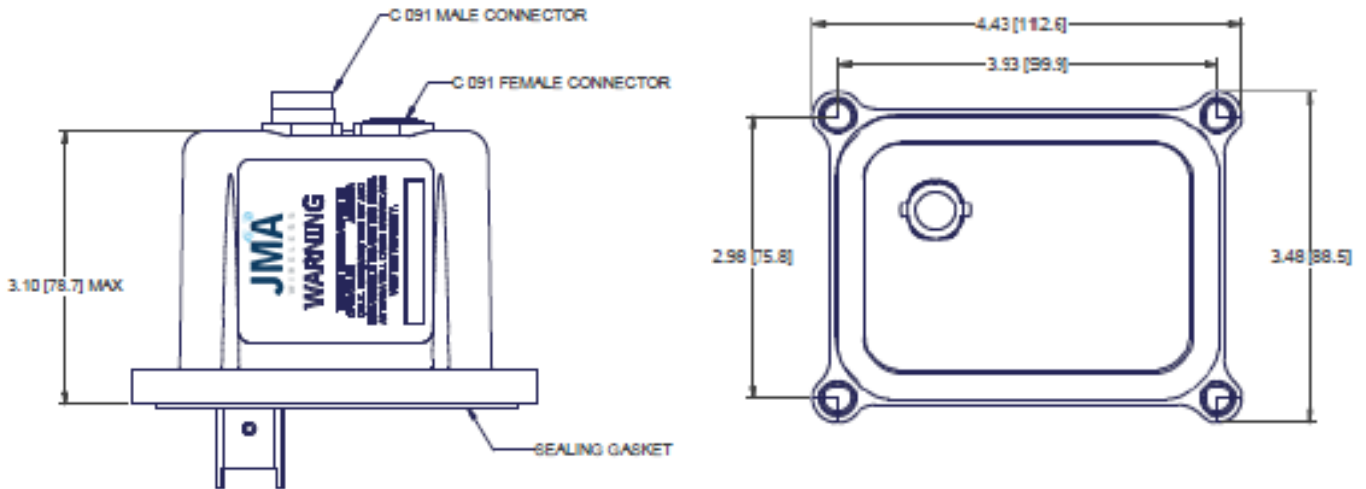
AISG v2 Remote Electrical Tilt System configuration



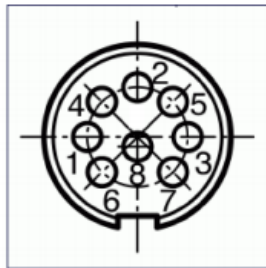
RET ELECTRICAL TILT MODEL

Model	Description
RET-200	RET Motor Assembly, AISG 2.0

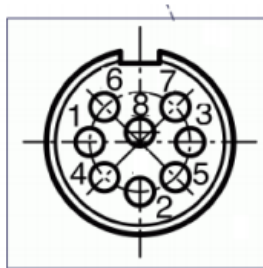
Mechanical Outline Drawing



Pin Connections
(as defined in AISG v2.0 Section 6.3.1)



FEMALE
C091 CABLE CONNECTOR



MALE
C091 CABLE CONNECTOR

LOOKING INTO CONNECTORS

Pin Number	Signal (Function)
1	+12 VDC
2	No Connection
3	RS485 B
4	No Connection
5	RS485 A
6	10V - 30V DC
7	DC Return
8	No Connection