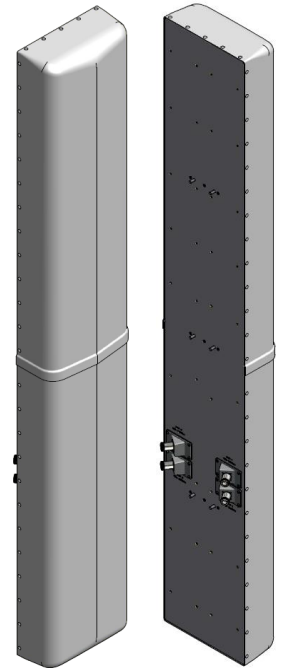


QCAP-FRO-856

Circular-Pol Fast-Roll-Off Antenna, 1695-2180 MHz, (96.0", 56° H-Beam)

- Improves real time data rates/VoLTE data sessions
- Designed to improve SNR
- Macro Cell, High Gain Antenna
- Suitable for LTE/CDMA/UMTS/GSM



ELECTRICAL SPECIFICATIONS

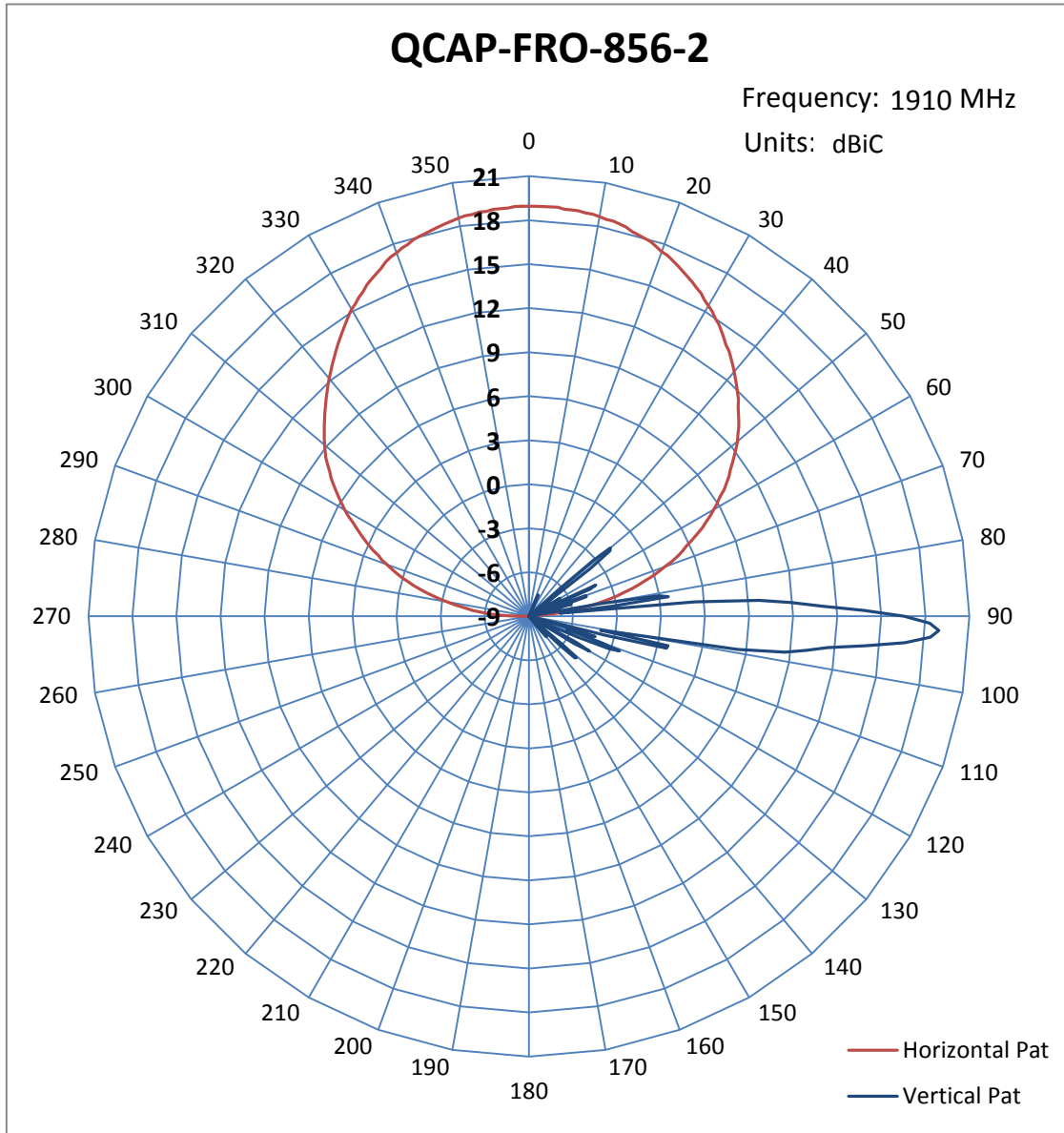
Frequency Band, MHz	1695-1880	1850-1990	1920-2180
Horizontal Beamwidth, 3dB points (average)	56°	56°	52°
Gain, dBiC (average)	19.1	18.8	18.7
Vertical Beamwidth, 3dB points (average)	4.8°	4.6°	4.6°
Front-to-Back at 180°, dB	>30		
Upper Sidelobe Suppression, dB (typical)	< -18		
Polarization	Circular		
Electrical Down Tilt, fixed	2°		
VSWR/Return Loss, dB (maximum)	1.35:1/-16.5		
Isolation Between Ports, dB, 2110-2155 (minimum)	>24		
Axial Ratio (typical)	<2		
Intermodulation (2x20w), IM3, dBc (maximum)	-153		
Impedance, ohms	50		
Maximum Power Per Connector, CW (w)	250		

MECHANICAL SPECIFICATIONS

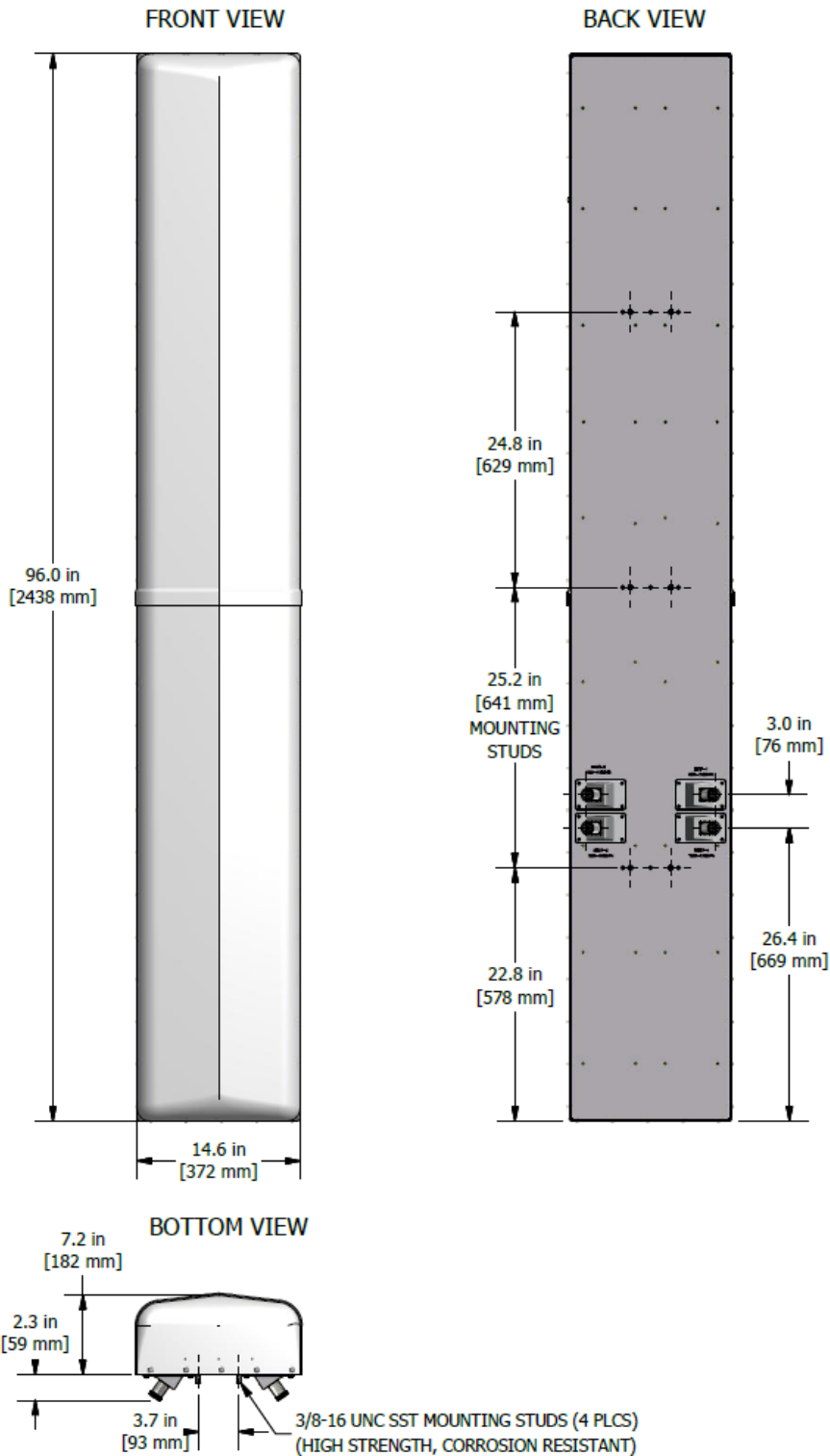
Dimensions, Length/Width/Depth	96.0 x 14.6 x 7.2 inches(2439/372/181 mm)
Connector (Quantity) Type	(4) 7-16 DIN Female
Connector Torque	220-265 lbf-in (23-30 N-m)
Connector Location	Back
Antenna Weight	43 lb (19.5 kg)
Bracket Weight	13.2 lb (6.0 kg)
Standard Bracket Kit	Included, Part # 919032
Mechanical Downtilt Range	0-6°
Radome Material	High Strength Luran, UV Stabilized, ASTM D1925
Wind Survival	150 mph (241 km/h)
Front Wind Load	282.2 lbf (1255.2 N)
Equivalent Flat Plate	5.62 sq-ft (c=2) @ 100mph

ORDER INFORMATION

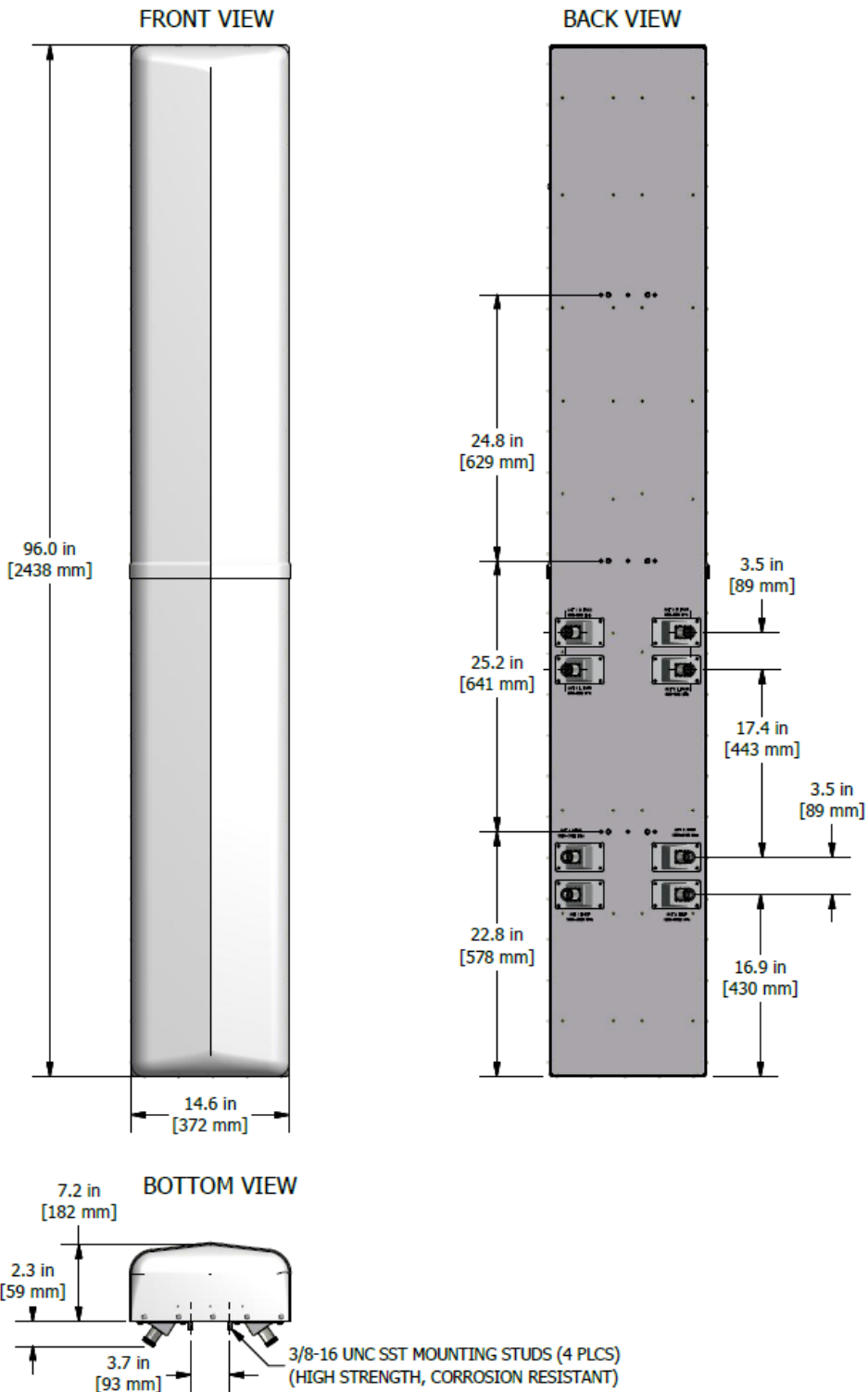
MODEL	DESCRIPTION
QCAP-FRO-856-2	C-Pol antenna with four back DIN connectors
QCAP-FRO-856-2-I	C-Pol antenna with eight back DIN connectors
919049	Optional Bracket Kit, 3-Point, 6deg D-tilt, For 4.5" OD Pole



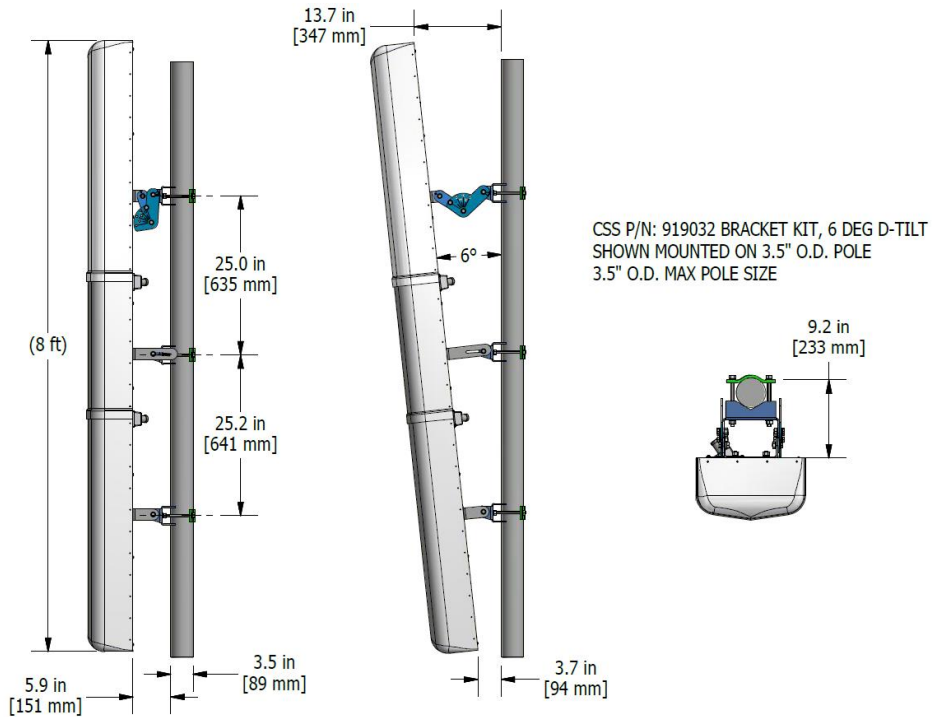
Mechanical Outline Drawing: QCAP-FRO-856



Mechanical Outline Drawing: QCAP-FRO-856-I



Standard Bracket Kit



Optional Bracket Kit

