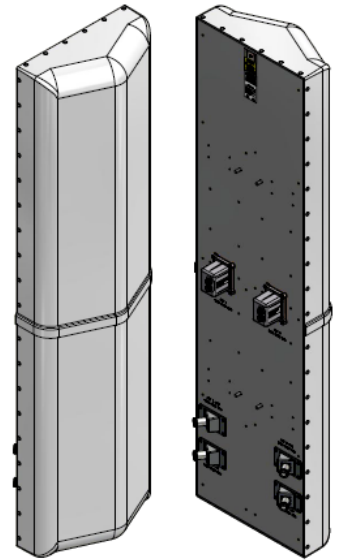


## QAP-FRO-640-V

+/- 45° Polarization, (2)1695-2180MHz antennas, 72" Length, Fast Roll Off 40° Horizontal Pattern MIMO, Variable E-Tilt

- Fast Roll Off (FRO) improves Intra and Inter-cell SINR
- Separate housing and reflector construction optimizes RF performance while maximizing mechanical strength
- Good Passive Intermodulation (PIM) performance reduces harmful interference
- Independent tilt per array
- Suitable for LTE/CDMA/UMTS/GSM
- AISG 2.0 RET Tilt Control



## ELECTRICAL SPECIFICATIONS

Frequency Band, MHz	1695-1880	1880-1990	1990-2180
Horizontal Beamwidth, 3dB points	42°	39°	37°
Gain, dBi	19.6	19.4	19.7
Vertical Beamwidth, 3dB points	6.3°	6.4°	6.1°
Front-to-Back at 180°, dB		> 28	
Upper Sidelobe Suppression, Typical, dB		18	
Polarization		+/-45°	
Electrical Downtilt (See Order Information)		0°-6°/ 4°-10°	
VSWR/Return Loss, dB, Maximum		1.5:1/14.0	
Isolation Between Ports, dB, Minimum		>28	
Intermodulation (2x20w), IM3, dBc, Maximum		-150	
Impedance, ohms		50	
Maximum Power Per Connector, CW		250	

## MECHANICAL SPECIFICATIONS

Dimensions, Length/Width/Depth	72 x 19.2 x 9.1 in (1829 / 372 / 225mm)
Connector Quantity, Type	4 total: 7-16 DIN Female
Connector Torque	220-265 lbf-in (23-30 N-m)
Connector Location	Back
Antenna Weight	46 lbs (21kg)
Bracket Weight (not included in antenna weight)	13.2 lbs (5.99Kg)
Standard Bracket Kit	919011 (Included)
Mechanical Downtilt Range	0°-12°
Radome Material	High Strength Luran, UV Stabilized, ASTM D1925
Wind Survival	150 mph (241 km/h)
Front Wind Load @100mph	233.6 lbf (1039.17 N) @100mph
Equivalent Flat Plate @ 100mph	4.65 sq-ft (c=2) @ 100mph

## RET INFORMATION

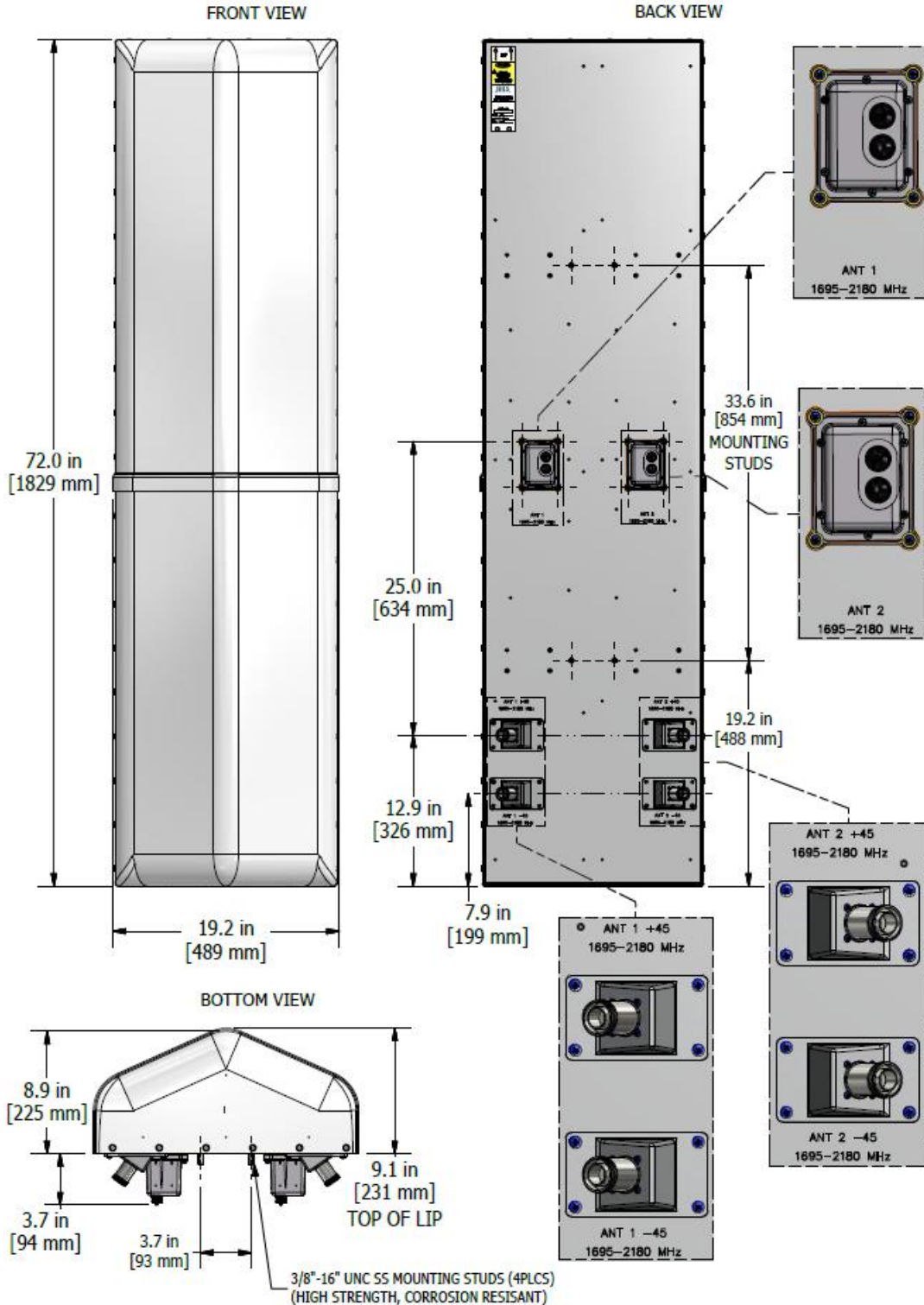
Model	RET-200
Mounting Location	Back
Communication Standard	AISG 2.0
Control System	PCU-1000



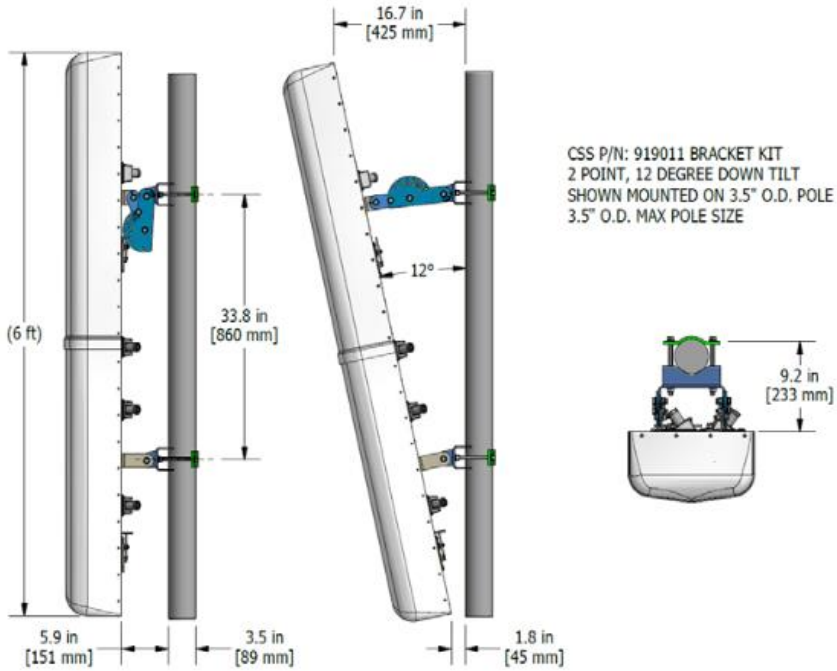
## ORDER INFORMATION

MODEL	DESCRIPTION
QAP-FRO-640-VR0	X-Pol antenna with motor for remote electrical tilt (RET) range of 0-6°
QAP-FRO-640-VR4	X-Pol antenna with motor for remote electrical tilt (RET) range of 4-10°
919036	Optional Bracket Kit, 2-Point, 12deg D-tilt, For 4.5" OD Pole
992100-CA005-SC	AISG Jumper Cable, M/F, 0.5 meters long

### Mechanical Outline Drawing



### Standard Bracket Kit



### Optional Bracket Kit

