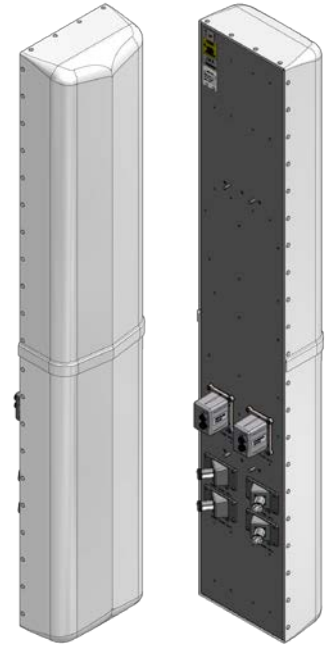


QAP-680-V

1695-2180 MHz, 72", 80° H-Beam MIMO Antenna

RET

- 4-Port 1695-2180 MHz Antenna:
 - Two High Band Antennas in a Single Radome, Each with Separate Tilts
- Can be used for MIMO Applications
- Suitable for LTE/CDMA/UMTS/GSM
- AISG v2.0 RET Control



ELECTRICAL SPECIFICATIONS

Frequency Band, MHz	1695-1880	1850-1990	1920-2180
Horizontal Beamwidth, 3dB points	71°	72°	75°
Gain, dBi	17.5	17.1	16.4
Vertical Beamwidth, 3dB points	6.2°	6.5°	6.4°
Front-to-Back at 180°, dB	<28		
Co – Pole Isolation	> 28		
Upper Sidelobe Suppression, Typical, dB	< -18		
Polarization	+/-45°		
Elect. Downtilt Range (See Order Information)	0°-6° or 4°-10°		
VSWR/Return Loss, dB, Maximum	1.5:1/-14.0		
Isolation Between Ports, dB, Minimum	<28		
Intermodulation (2x20w), IM3, dBc, Maximum	-150		
Impedance, ohms	50		
Maximum Power Per Connector, CW (w)	250		

MECHANICAL SPECIFICATIONS

Dimensions, Length/Width/Depth	72/12.5/7.1 inch (1829/318/180 mm)
Connector (Quantity) Type	(4) 7-16 DIN Female
Connector Torque	220-265 lbf-in (23-30 N-m)
Connector Location	Back
Antenna Weight	40lb (18.14 kg)
Bracket Weight	13.2 LB (6.0 kg)
Standard Bracket Kit	919011 (Included)
Mechanical Downtilt Range	0-12°
Radome Material	High Strength Luran, UV Stabilized, ASTM D1925
Wind Survival	150 mph (241 km/h)
Front Wind Load	181.2 lbf (806.0 N) @100mph
Equivalent Flat Plate	3.61 sq-ft (c=2) @ 100mph

RET INFORMATION

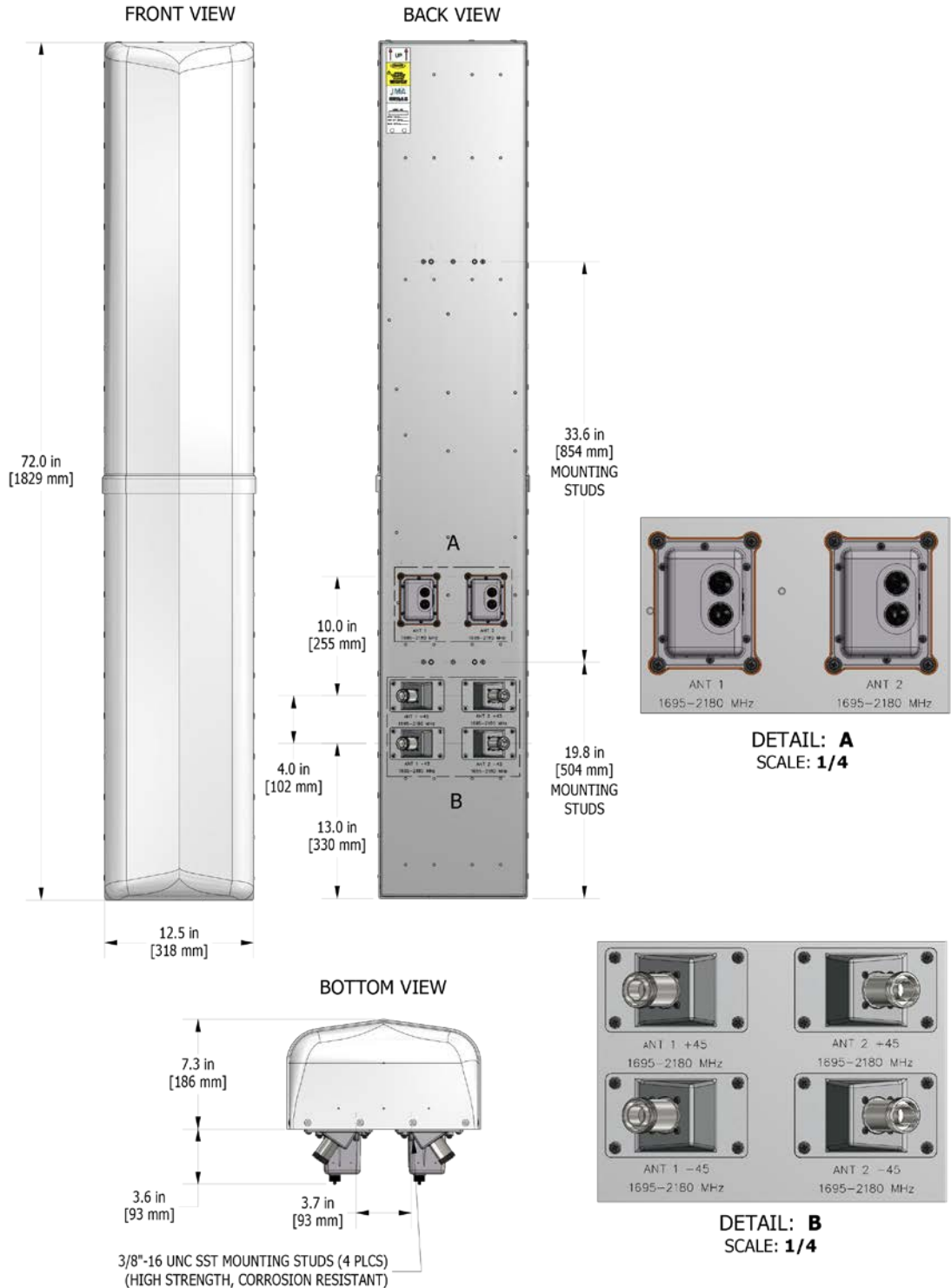
Model	RET-200
Mounting Location	Rear of Antenna
Weight	1.2 lb (0.54 kg)
Communication Standard	AISG 2.0
Control System	PCU-220



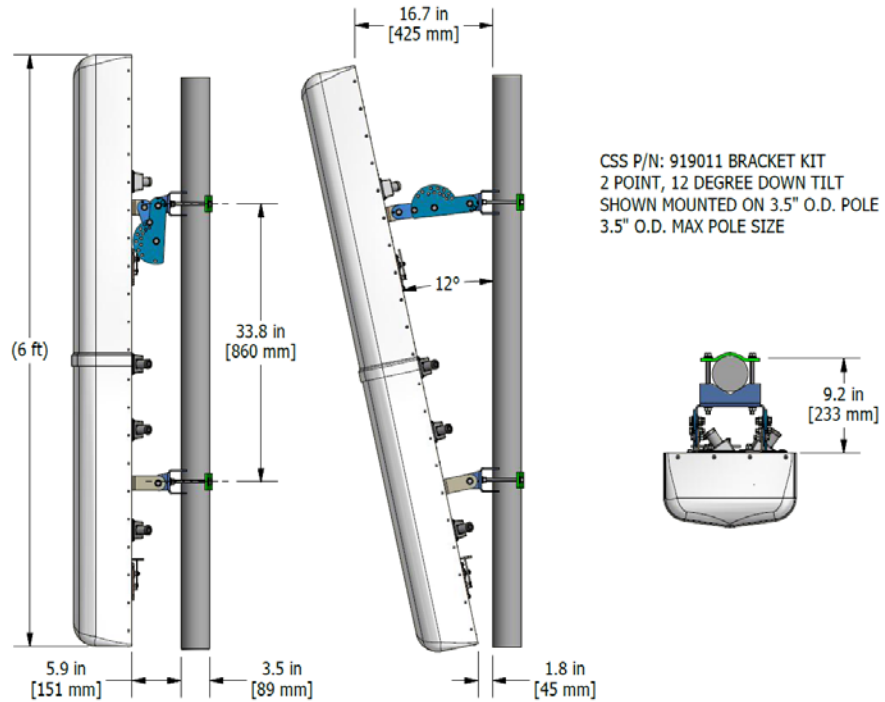
ORDER INFORMATION

MODEL	DESCRIPTION
QAP-680-VR0	X-Pol, antenna with motor to adjust remote electrical tilt (RET) range of 0-6°
QAP-680-VR4	X-Pol, antenna with motor to adjust remote electrical tilt (RET) range of 4-10°
992100-CA0013-SC	AISG Jumper Cable, M/F, 1.3 meters
919036	Optional Bracket Kit, 2-Point, 12 deg D-tilt, For 4.5" OD Pole
992063	Optional Hand wheel Kit for 6' HB (QTY 2 Required)

Mechanical Outline Drawing: RET Version



Standard Bracket Kit



Optional Bracket Kit

