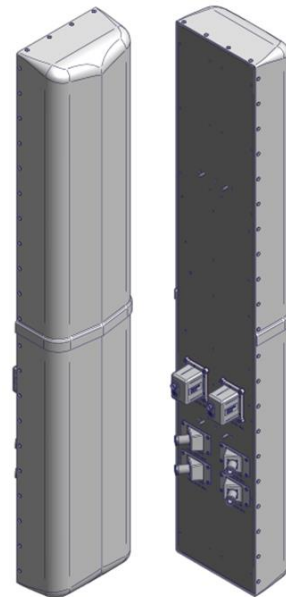


QAP-660-V

1695-2180 MHz, 72", 60° H-Beam MIMO Antenna

RET

- 4-Port 1695-2180 MHz Antenna:
 - Two High Band Antennas in a Single Radome, Each with Separate Tilts
- Can be used for MIMO Applications
- Suitable for LTE/CDMA/UMTS/GSM
- AISG v2.0 RET



ELECTRICAL SPECIFICATIONS

Frequency Band, MHz	1695-1880	1850-1990	1920-2180
Horizontal Beamwidth, 3dB points	59°	56°	55°
Gain, dBi	18.3	18	18
Vertical Beamwidth, 3dB points	6.0°	6.4°	6.4°
Front-to-Back at 180°, dB		>30	
Upper Sidelobe Suppression, Typical, dB		< -18	
Polarization		+/-45°	
Elect. Downtilt Range (See Order Information)		0°-6° or 4°-10°	
VSWR/Return Loss, dB, Maximum		1.5:1/-14.0	
VSWR/Return Loss, dB, Maximum w/IP model		1.6:1/12.7	
Isolation Between Ports, dB, Minimum		>28	
Intermodulation (2x20w), IM3, dBc, Maximum		-150	
Impedance, ohms		50	
Maximum Power Per Connector, CW (w)		250	

MECHANICAL SPECIFICATIONS

Dimensions, Length/Width/Depth	72.0 x 12.5 x 7.3 inches (1829/318/180 mm)
Connector (Quantity) Type	(4) 7-16 DIN Female
Connector Torque	220-265 lbf-in (23-30 N-m)
Connector Location	Back
Antenna Weight	30 lb (13.6 kg)
Bracket Weight	13.2 lb (6.0 kg)
Standard Bracket Kit	919011 (Included)
Mechanical Downtilt Range	0-12°
Radome Material	High Strength Luran, UV Stabilized, ASTM D1925
Wind Survival	150 mph (241 km/h)
Front Wind Load @ 100 mph	181.2 lbf (806.0 N)
Equivalent Flat Plate @ 100 mph	3.61 sq-ft (c=2)

RET INFORMATION

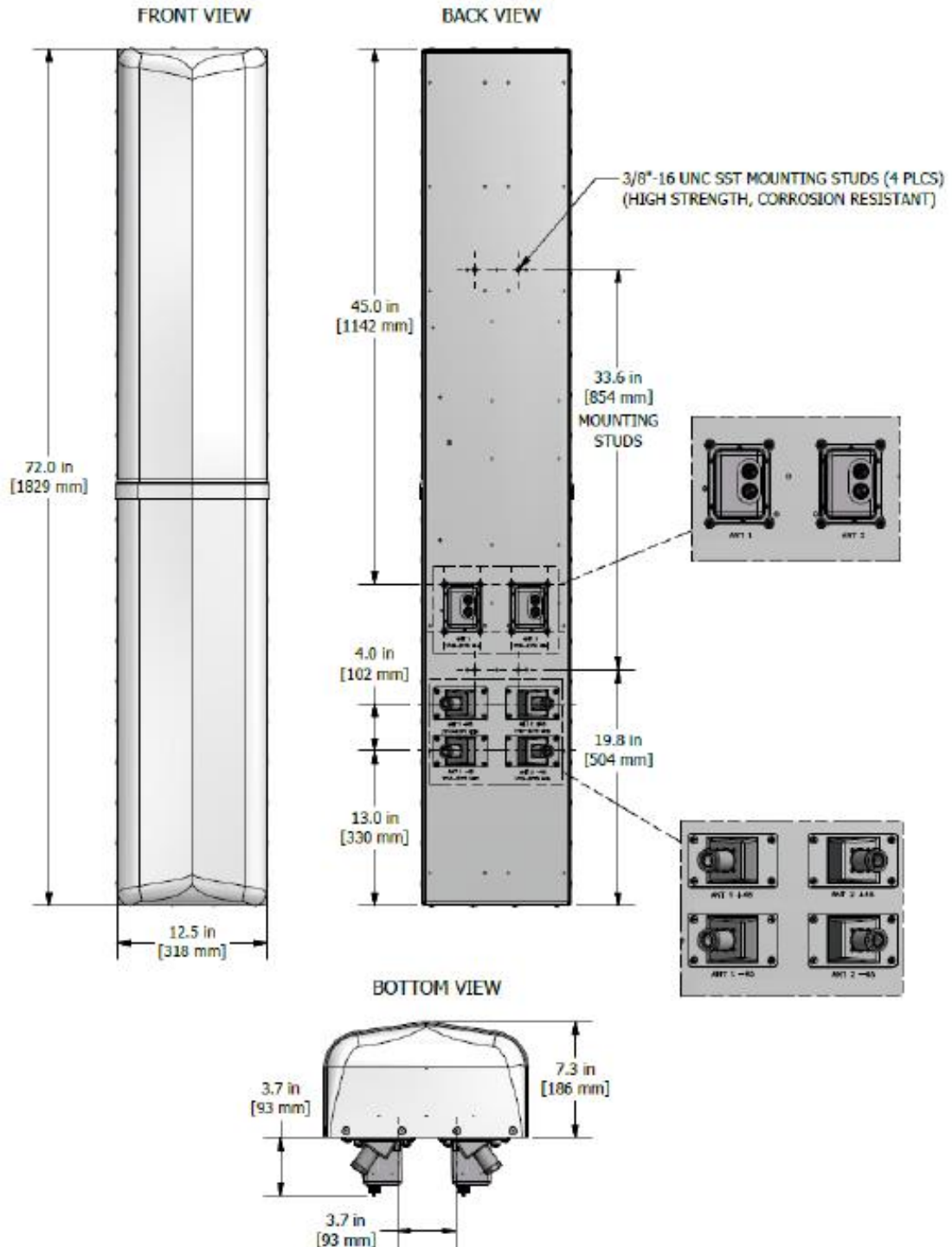
Model	RET-200
Mounting Location	Rear of Antenna
Weight	1.2 lb (0.54 kg)
Communication Standard	AISG 2.0
Control System	PCU-1000



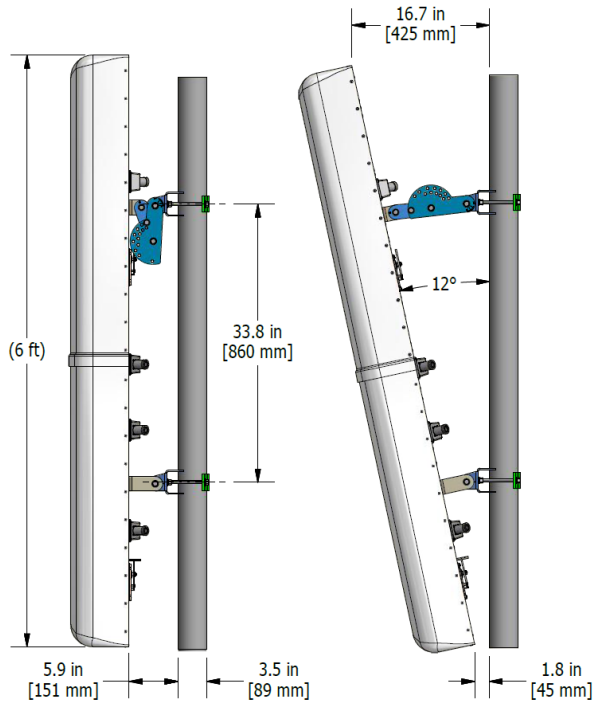
ORDER INFORMATION

MODEL	DESCRIPTION
QAP-660-VR0	X-Pol antenna with motor to adjust remote electrical tilt (RET) range of 0-6°
QAP-660-VR4	X-Pol antenna with motor to adjust remote electrical tilt (RET) range of 4-10°
992100-CA005-SC	AISG Jumper Cable, M/F, 0.5 meters, Qty. (1)
919036	Optional Bracket Kit, 2-Point, 12deg D-tilt, For 4.5" OD Pole

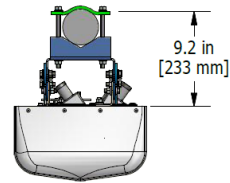
Mechanical Outline Drawing: RET Version



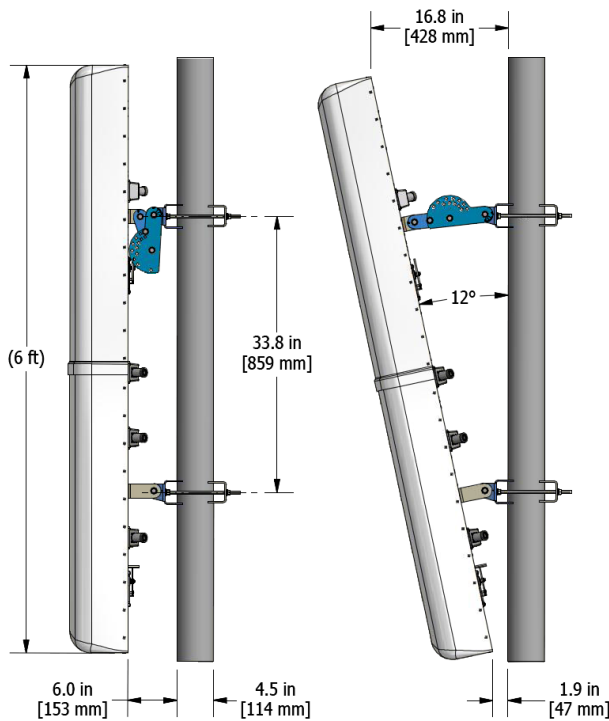
Standard Bracket Kit



CSS P/N: 919011 BRACKET KIT
 2 POINT, 12 DEGREE DOWN TILT
 SHOWN MOUNTED ON 3.5" O.D. POLE
 3.5" O.D. MAX POLE SIZE



Optional Bracket Kit



CSS P/N: 919036 BRACKET KIT
 2 POINT, 12 DEGREE DOWN TILT
 SHOWN MOUNTED ON 4.5" O.D. POLE
 4.5" O.D. MAX POLE SIZE

