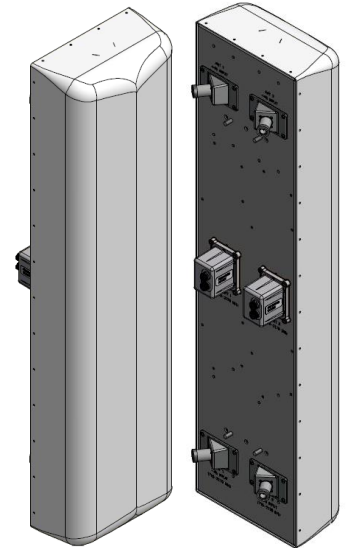


## QAP-480-V

X-Pol (2) 1695-2180 MHz, 50.5", 80° H-Beam MIMO Antenna  
RET

- 4-Port 1695-2180 MHz Antenna:
  - Two High Band Antennas in a Single Radome, Each with Separate Tilts
- Can be used for MIMO Applications
- Suitable for LTE/CDMA/UMTS/GSM
- AISG v2.0 RET Control



### ELECTRICAL SPECIFICATIONS

Frequency Band, MHz	1695-1880	1850-1990	1920-2180
Horizontal Beamwidth, 3dB points (Average)	73°	76°	80°
Gain, dBi (Average)	16.5	16.1	15.9
Vertical Beamwidth, 3dB points (Average)	7.7°	7.3°	7.1°
Front-to-Back at 180°, dB	> 28		
Upper Sidelobe Suppression, Typical, dB	< -18		
Polarization	+/-45°		
Elect. Downtilt Range (See Order Information)	0-6° or 4-10°		
VSWR/Return Loss, dB	1.5:1/-14.0		
Isolation Between Ports, dB, Minimum	>28		
Intermodulation (2x20w), IM3, dBc, Maximum	-150		
Impedance, Ohms	50		
Maximum Power Per Connector, CW (W)	250		

## MECHANICAL SPECIFICATIONS

Antenna Dimensions	50.5/12.5/7.1 inch (1282/318/180mm)
Connector (Quantity) Type	(4) 7-16 DIN Female
Connector Torque	220-265 lbf-in (23-30 N-m)
Connector Location	Back
Antenna Weight	24.4 lb (11.1 kg)
Bracket Weight	13.2 LB (6.0 kg)
Standard Bracket Kit	919011 (Included)
Mechanical Downtilt Range	0-12°
Radome Material	High Strength Luran, UV Stabilized, ASTM D1925
Wind Survival	150 mph (241 km/h)
Front Wind Load	127.1 lbf (565.3 N) @100mph
Equivalent Flat Plate	2.53 sq-ft (c=2) @ 100mph

## RET INFORMATION

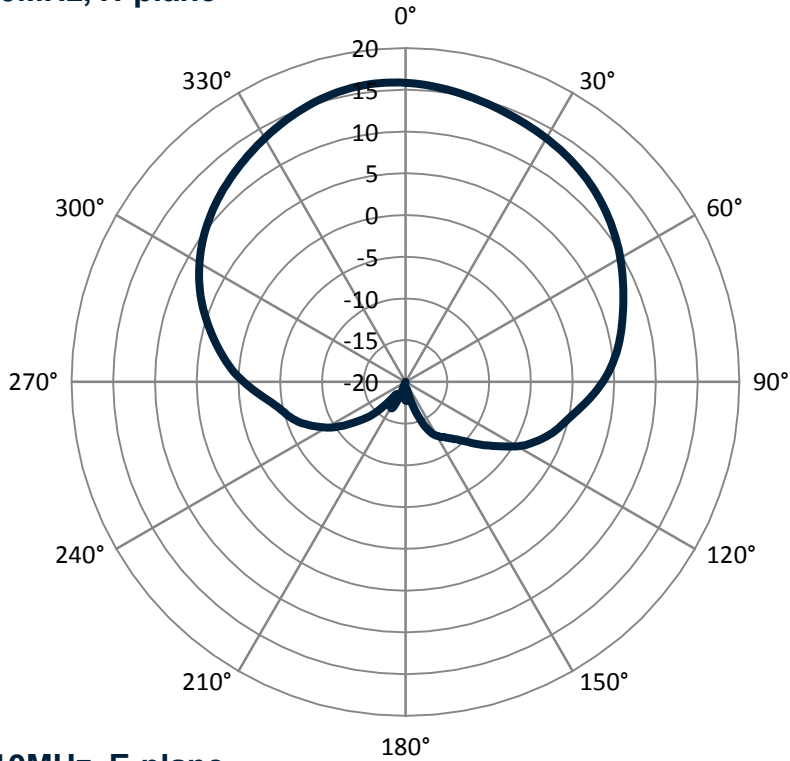
Model	RET-200
Mounting Location	Rear of Antenna
Weight	1.2 lb (0.54 kg)
Communication Standard	AISG 2.0
Control System	PCU-1000



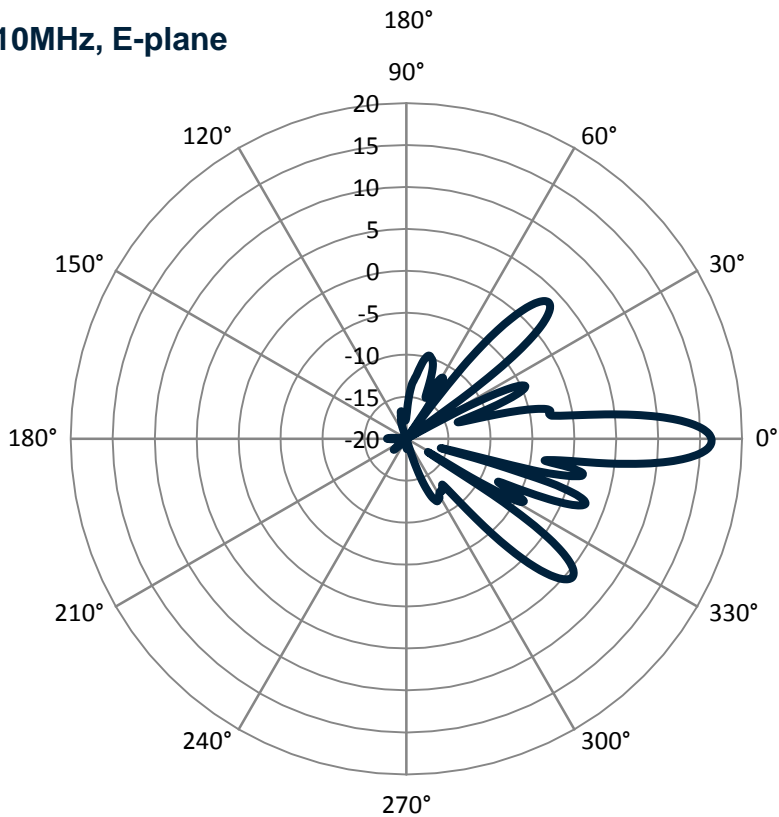
## ORDER INFORMATION

MODEL	DESCRIPTION
QAP-480-VR0	X-Pol, antenna with motor for remote electrical tilt (RET) range of 0-6°
QAP-480-VR4	X-Pol, antenna with motor for remote electrical tilt (RET) range of 4-10°
919036	Optional Bracket Kit, 2-Point, 12deg D-tilt, For 4.5" OD Pole
992100-CA005-SC	AISG Jumper Cable, M/F, 0.5 meters

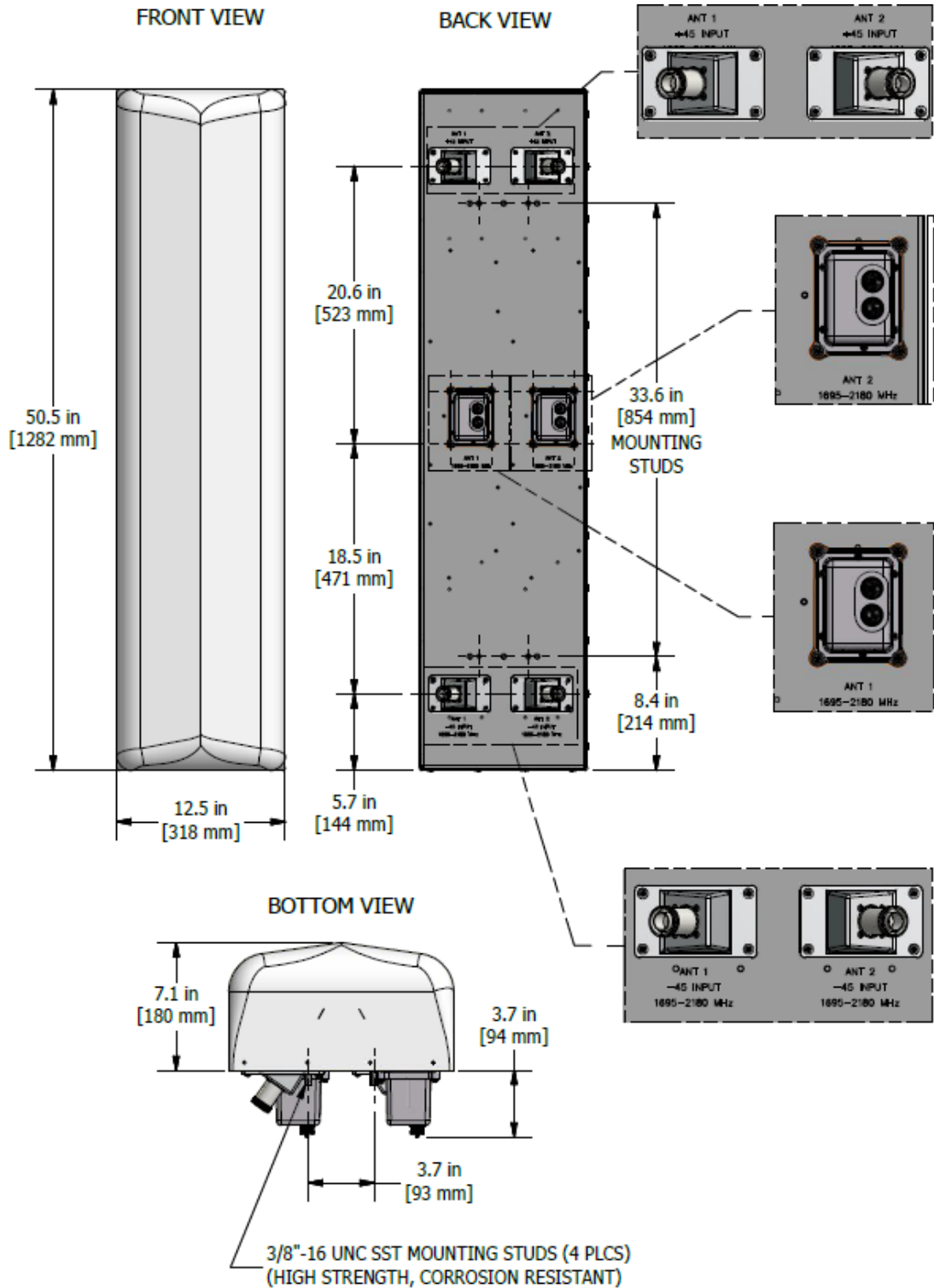
### Pattern Plot:1910MHz, H-plane



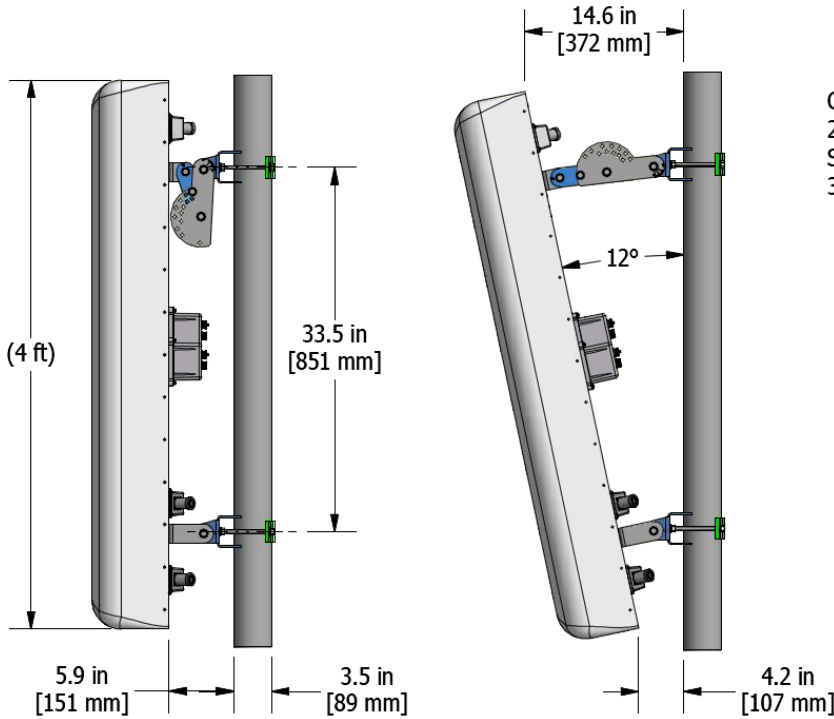
### Pattern Plot: 1910MHz, E-plane



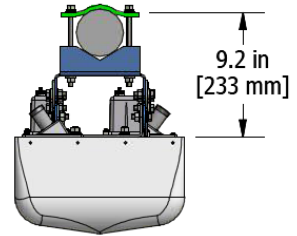
### Mechanical Outline Drawing: RET Version



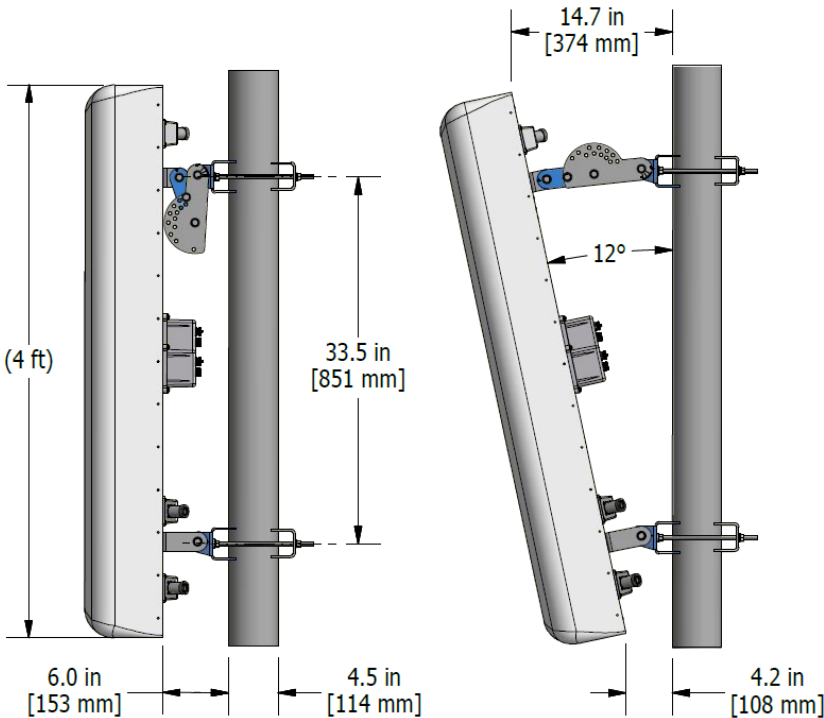
### Standard Bracket Kit



CSS P/N: 919011 BRACKET KIT  
 2 POINT, 12 DEGREE DOWN TILT  
 SHOWN MOUNTED ON 3.5" O.D. POLE  
 3.5" O.D. MAX POLE SIZE



### Optional Bracket Kit



CSS P/N: 919036 BRACKET KIT  
 2 POINT, 12 DEGREE DOWN TILT  
 SHOWN MOUNTED ON 4.5" O.D. POLE  
 4.5" O.D. MAX POLE SIZE

