

PCU-1000

Antenna Systems

PCU-1000

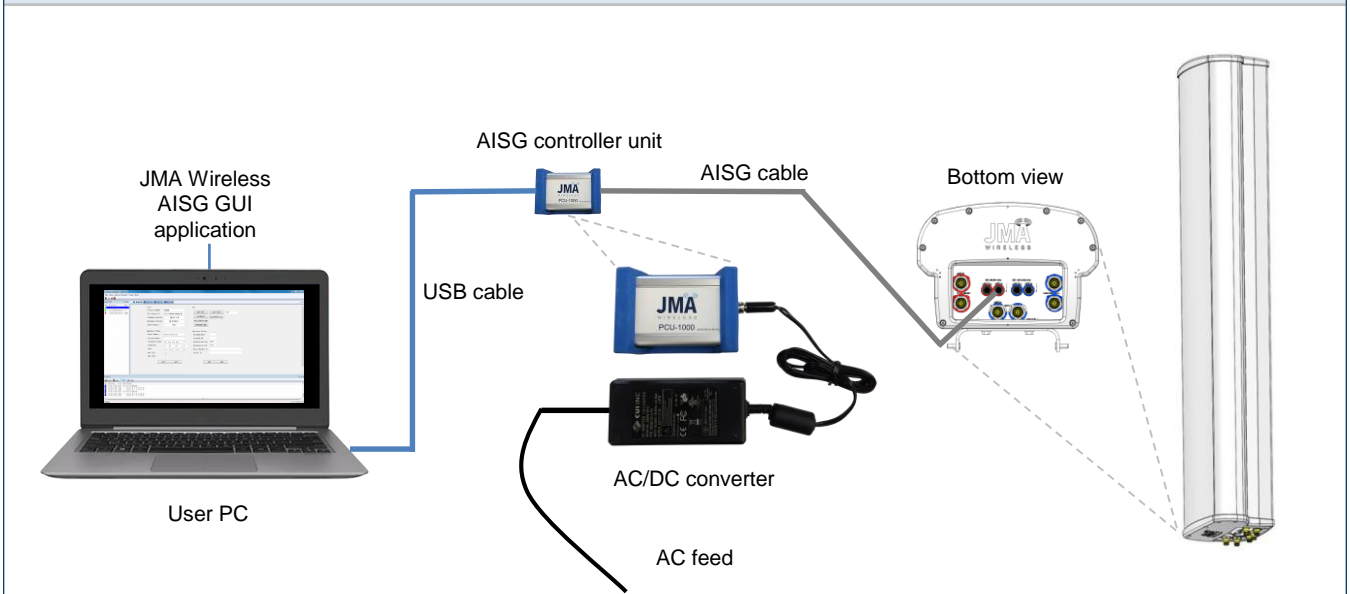
Primary control unit for Remote Electronic Tilt AISG v2.0

- Designed to remotely control Remote Electronic Tilt
- Flexible and portable AISG primary control unit
- RS485 to USB converter
- Supports AISG v2 protocol

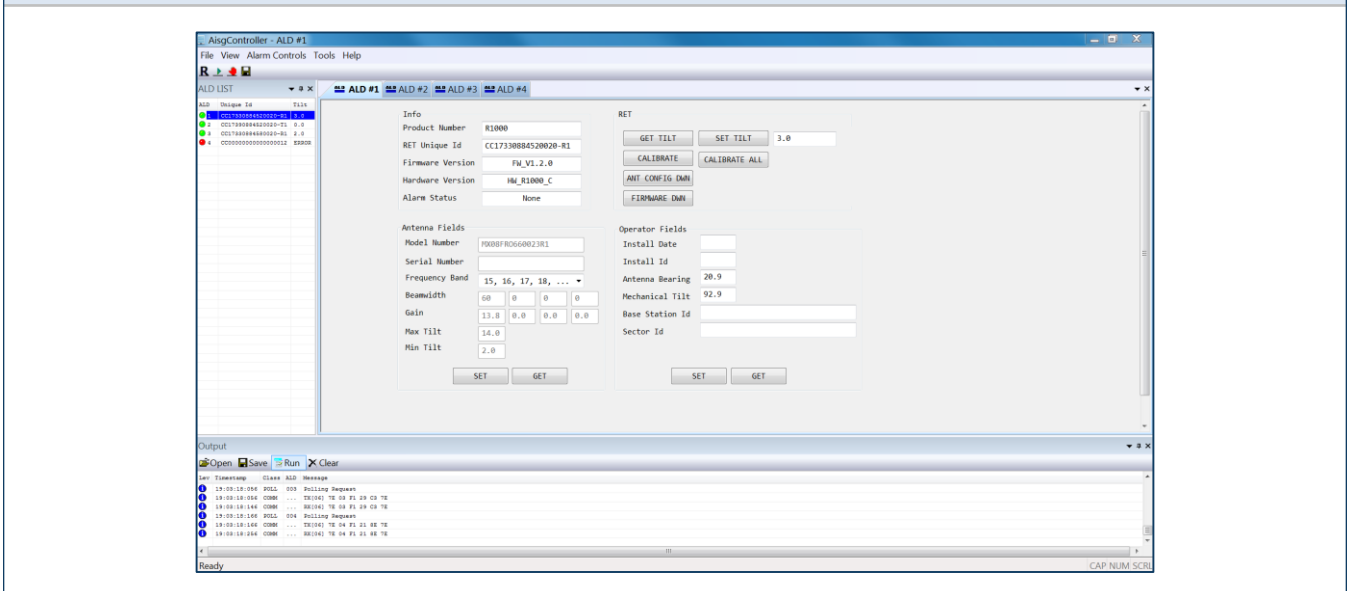


| Electrical specifications | |
|---------------------------------------|---|
| Input/supply voltage | 100-240 VAC, 50-60 Hz, 1.5 A |
| Controller interface specification | AISG v2 |
| AISG connector (RS485 interface + DC) | Single 8 PIN female AISG connector |
| Computer interface (USB) | USB to USB micro cable |
| AC adapter-PCU | 24 V @ 1.1 amps |
| Mechanical specifications | |
| PCU-220 dimensions | 3.9 in. L x 2.7 in. W x 1.8 in. H |
| AISG connector torque | Minimum 0.5 N·m to maximum 1.0 N·m (hand pressure and finger tight) |
| Software specifications | |
| Windows operating system supported | Windows XP thru Windows 10 |
| USB-485 Windows-based VCP driver | FDTI Windows 2.08.28 WHQL certified (x86 or x64 as applicable) |
| | Driver download (http://www.ftdichip.com/Drivers/VCP.htm) |
| PC-based software (AISG v2), GUI | JMA AISG Controller software (see website for latest version) |

AISG v2 system configuration



PC application



Ordering information

| Model | Description |
|----------|--|
| PCU-1000 | AISG controller which includes the control box, USB cable, AC/DC converter (24 V), and a 0.5 m AISG cable. |