

OMNI-MIMO-R727

Recessed Ceiling Mount MIMO Omni 698-2700MHz

- MIMO Omni Patterns
- Two 698-2700 MHz V-Pol Antennas Under One Radome
- High Gain Recessed Mounted Antenna
- PIM Certified @ 2x20 Watts
- Suitable for LTE/CDMA/ UMTS/GSM/ WLAN/WiMax/WCS/Neutral Host



ELECTRICAL SPECIFICATIONS

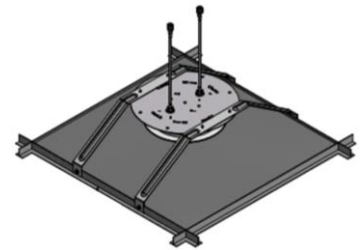
Frequency Band, MHz	698-824	825-960	1695-2360	2361-2700
Horizontal Beamwidth, 3dB points	360°	360°	360°	360°
Avg Gain, dBi	5.2	5.3	6.7	8.1
VSWR Maximum / Return Loss, dB	2/-9.5	2/-9.5	2/-9.5	2/-9.5
Isolation, dB Isolation (Typical)	>20		>20	
Polarization	Vertical		Vertical	
Intermodulation (2x20 Watts) , IM3, dBc, Maximum	-150		-150	
Impedance, ohms	50		50	
Maximum Power Per Connector, CW (w)	40		40	

MECHANICAL SPECIFICATIONS

Dimensions, Width/Depth	12.0 / 4.4 in (305/112 mm) Overall
Connector (Quantity) Type	(2) N Female OR (2) "4.3-10" Female on 12" Pig Tails
Connector Location	Top
Antenna Weight	1.4 lb (0.64 kg)
Radome Material	Polypropylene
Mounting	Surface Mount in non-Metallic Ceiling Tile
Application	Indoor
Operating Temperature	-40° F to +140° F (-40° C to +60° C)

OPTIONAL CEILING MOUNT BRACKET

Optional Above Ceiling Mount Bracket 919056
 Completely Conceals the Antenna



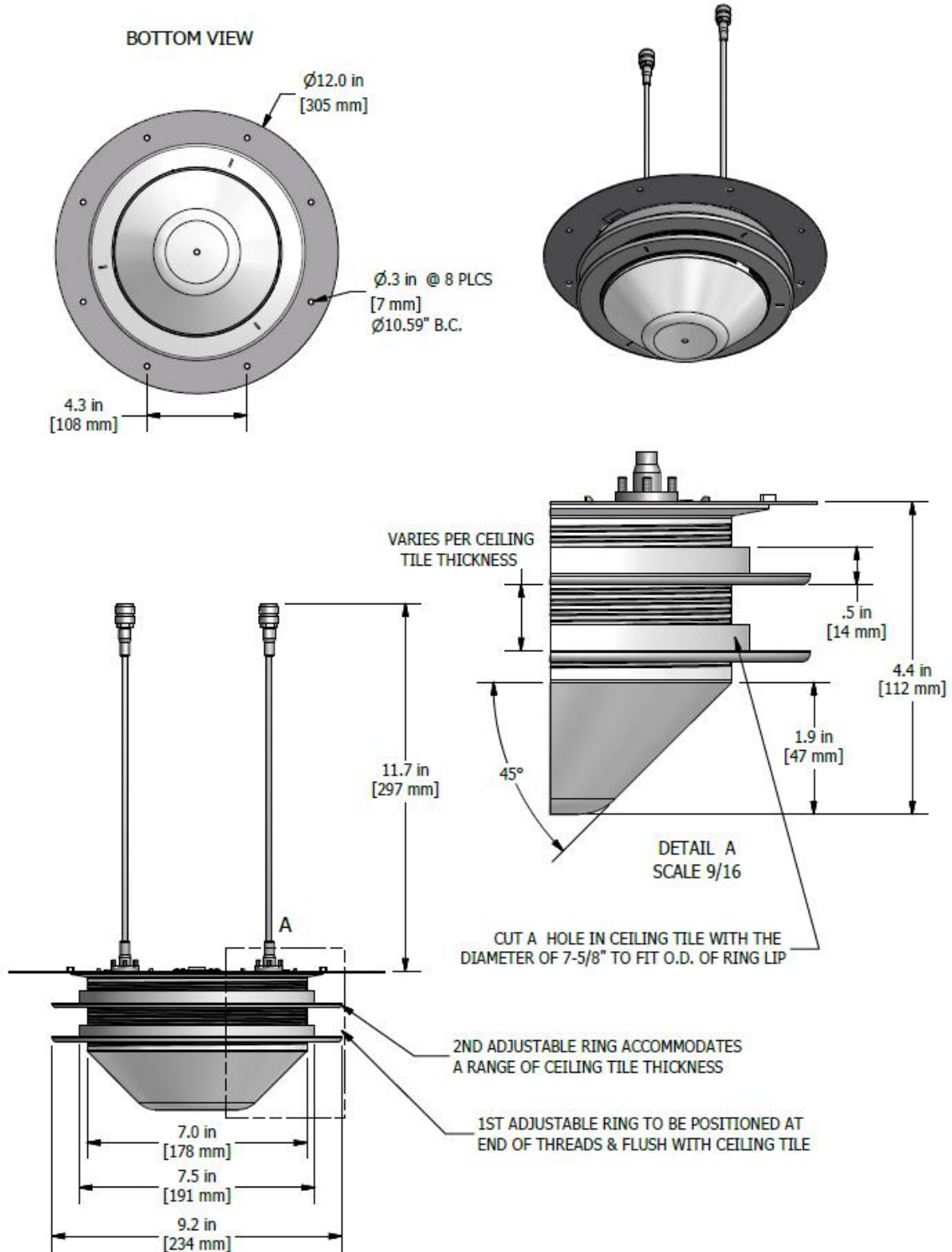
ORDER INFORMATION

MODEL	DESCRIPTION
OMNI-MIMO-R727	Recess Mount Omni MIMO antenna, V-POL, 698-2700MHz with " N " connectors 12" pigtail
OMNI-MIMO-R727-F	Recess Mount Omni MIMO antenna, V-POL,698-2700MHz with "4.3-10" connectors 12" pigtail

OPTIONAL BRACKET KIT

MODEL	DESCRIPTION
919056	Above Ceiling Mounting Kit

Mechanical Outline Drawing



Optional Bracket Kit

NOTE: the Optional Bracket (919056) is designed for 2 foot ceiling space

