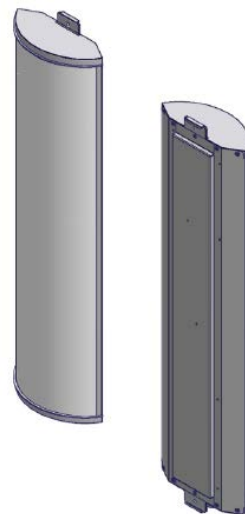


FLG-AXP18-60

Flagpole– Xpol Antenna, 1710-2170 MHz, 50.6", 60° H-Beams

- Flagpole high gain antenna
- Suitable for LTE/CDMA/UMTS/GSM



ELECTRICAL SPECIFICATIONS

Frequency Band, MHz	1710-2170 MHz
Horizontal Beam Low / High Band	60°
Gain @ 2170 MHz	17.8 dBi
Vertical Beam Low / High Band	7°
Polarization	Slant +/- 45
Electrical Downtilt Range, 2° Increments	0-6°
VSWR/Return Loss	<1.40:1 / 15.6 dB
Front-to-Back at Horizon Low Band	>30 dB
Front-to-Back at Horizon High Band	>-18 dB
Upper Side Lobe Suppression	<-17 dB
Impedance	50 Ohms
Power Input Per Port CW, (w)	250
Intermodulation (2x20W)	<-150 dBc

MECHANICAL SPECIFICATIONS

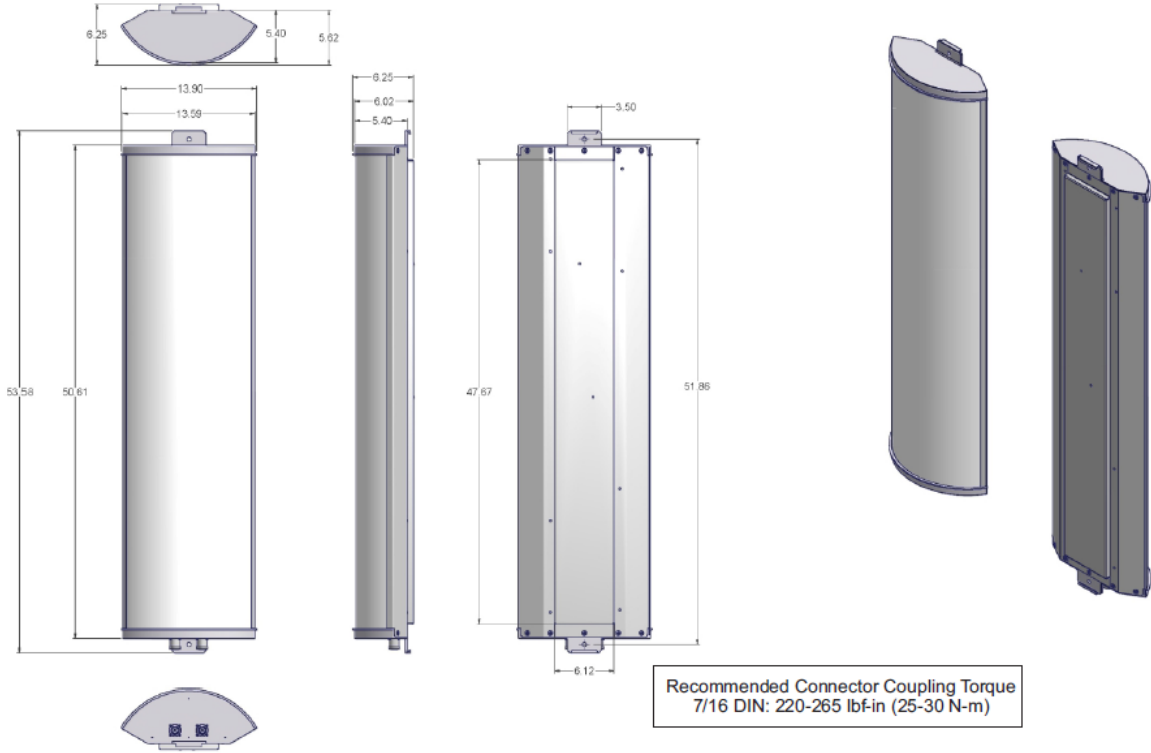
Input Connector (female)	2 Bottom Mounted 7/16 DIN
Recommended Connector Coupling Torque	7/16 DIN: 220-265 lbf-in (25-30 N-m)
Antenna Dimensions (LxWxD)	50.6 x 13.9 x 6.2 in. (1285 x 353 x 157mm)
*Antenna Weight	approx. 20 lbs
Lightning Protection	Direct Ground
RF Distribution	Printed Microstrip Substrate
Radome	Ultra High-Strength Luran
Weatherability	UV Stabilized, ASTM D1925
Radome Water Absorption	ASTM D570, 0.45%
Environmental	MIL-STD-810E
Wind Survival	Must be mounted in an enclosed structure
Front Wind Load @100mph	Not specified
Equivalent Flat Plate @100mph	Not specified
Mounting	Stainless Steel Band Straps

ORDER INFORMATION

MODEL	DESCRIPTION
FLG-AXP18-60-x	"x" is a placeholder for the built-in fixed electrical downtilt in degrees set "x" to 0, 2, 4 or 6 for electrical tilt.
FLG-4-3	Optional base mounting plate with 4ft center pole only, includes brackets, holds 3 FLG antennas.

Mechanical Drawing

This antenna must be mounted in an enclosed structure



Recommended Connector Coupling Torque
7/16 DIN: 220-265 lbf-in (25-30 N-m)