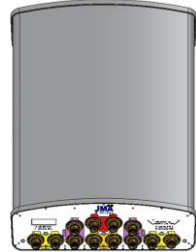


## DX12FRO260-20/26

NWAV™ 2F Panel Antenna | 12-Port | 2 ft | 698-894, 1695-2700, 3550-3700, 5150-5925

**12-port panel antenna from 698–5925 MHz****2F panel antenna, 12 ports: (2) 698–894, (4) 1695–2690, (4) 3550–3700, (2) 5150–5925 MHz\***

- X-Pol, small cell, panel antenna
- Suitable for pole or building mount
- 4x4 MIMO for AWS, PCS, CBRS
- 2x2 MIMO for Low-Band and LAA
- Suitable for LTE/UMTS/CDMA/GSM technologies



\* This antenna meets current U-NII-1 requirements for gain and upper side lobe pattern characteristics with Compliance Testing of Unlicensed National Information Infrastructure (U-NII) Devices - Part 15, Subpart E. Compliant to 789033 D02 General U-NII Test Procedures v01r04.

Electrical specification (min./max.)	Ports 1, 2		Ports 3, 4, 5, 6				
Frequency bands, MHz	698–798	824–894	1695–1880	1850–1990	1920–2180	2300–2400	2496–2690
Polarization	± 45°		± 45°				
Average gain over all tilts, dBi	9.7	10.1	13.1	13.6	13.8	14.1	14.2
Horizontal beamwidth (HBW), degrees <sup>1</sup>	69°	69°	68°	65°	64°	62°	59°
Vertical beamwidth, (VBW), degrees <sup>1</sup>	41°	39°	16.8°	16.7°	15.8°	13.5°	11.7°
Fixed electrical downtilt (EDT)	2°		0 or 6°				
Port to port isolation, dB (typ) <sup>1</sup>	25	25	25	25	25	25	25
Max. VSWR / return loss, dB	1.5:1 / -14.0		1.5:1 / -14.0				
Max. PIM (3rd order 2x20W carrier, dBc)	-153		-153				
Maximum input power per port, watts	100		150				

Electrical specification (min./max.)	Ports 7, 8, 9, 10	Ports 11, 12
Frequency bands, MHz	3550–3700	5150–5925
Polarization	± 45°	± 45°
Average gain over all tilts, dBi	14.8	5
Horizontal beamwidth (HBW), degrees <sup>1</sup>	45°	48°
Vertical beamwidth (VBW), degrees <sup>1</sup>	9°	24°
Fixed electrical downtilt (EDT)	0°	0°
Port to Port Isolation, dB (typ) <sup>1</sup>	22	25
Max. VSWR / return loss, dB	1.5:1 / -14.0	1.5:1 / -14.0
Max. PIM (3rd Order 2x20W carrier, dBc)	N/A	
Maximum input power per port, watts	50	10

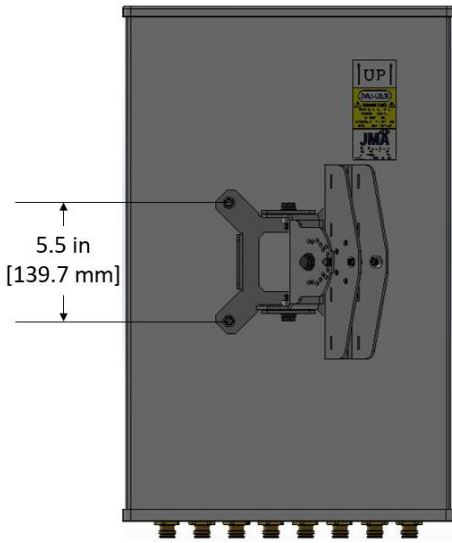
<sup>1</sup> Typical value over frequency and tilt

Note: Vertical beam upper side lobe at 5150-5925 MHz <-15 dB at >30° above horizon

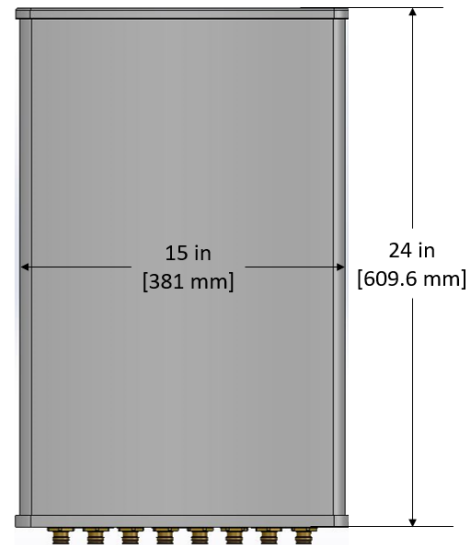
# DX12FRO260-20/26

NWAV™ 2F Panel Antenna | 12-Port | 2 ft | 698-894, 1695-2700, 3550-3700, 5150-5925

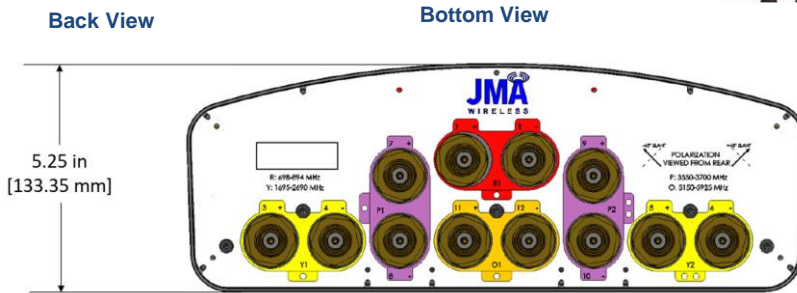
Mechanical specifications	
Dimensions length/width/depth, inches (mm)	24/ 15/ 5.25 (610/ 381/ 134)
No. of RF input ports, connector type and location	12 x 4.3-10 female, bottom
RF connector torque	96 lbf-in (10.85 N-m or 8 lbf-ft)
Net antenna weight, lb (kg)	12.3 (5.6)
Weight with supplied pipe mount bracket, lb (kg)	17.4 (7.9)
Shipping weight, lb (kg)	23.3 (10.6)
Rated wind survival speed, mph (km/h)	150 (241)
Frontal wind loading @ 150 km/h, lbf (N)	30 (133)
Equivalent flat plate @ 100 mph and Cd=2, sq ft	0.34 sq ft



Back View



Front View



Bottom View

Ordering information	
Antenna model	Description
DX12FRO260-20	2F panel antenna, 12 ports, (2) 698–894 two degrees EDT, (4) 1695-2700 zero degrees EDT, (4) CBRS zero degrees EDT, (2) LAA zero degrees EDT
DX12FRO260-26	2F panel antenna, 12 ports, (2) 698–894 two degrees EDT, (4) 1695-2700 six degrees EDT, (4) CBRS zero degrees EDT, (2) LAA zero degrees EDT
Mounting kit (included)	91900324 articulating bracket with X- and Y-axis adjustments and rotation