



CYL-AXP18-60

CYLINDER- 60° H-Beams, 60" long x 16.3" diameter

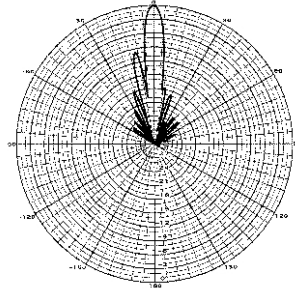
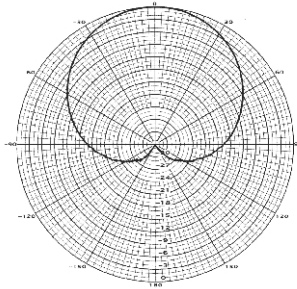
1710-2170 MHz

Electrical Specifications

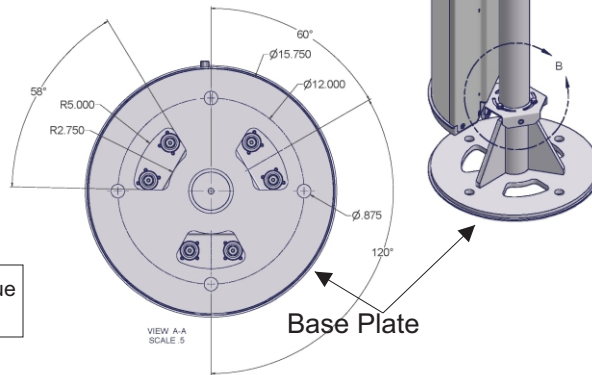
Frequency	1710-2170 MHz
Polarization	Slant +/- 45
Gain @ 1710 MHz	17.1 dBi
Gain @ 1920 MHz	17.4 dBi
Gain @ 2170 MHz	17.8 dBi
Horizontal Beam (3dB Points)	60°
Vertical Beam (3dB Points)	7°
Elect. Downtilt Range, 2° Increments	0-6°
VSWR / Return Loss	<1.40:1 / 15.6 dB
Front-to-Back at Horizon	>30 dB
Upper Side Lobe Suppression	<-18 dB
Impedance	50 Ohms
Power Input Per Connector	250 CW at 1900 MHz
Intermodulation (2x20W)	<-150 dBc

Mechanical Specifications

Input Connector (female)	6 Bottom Mounted 7/16 DIN
Antenna Dimensions	60" long x 16.3" dia. (1524 x 414mm)
Total Weight	83.2 lbs
Antennas (3) Weight	55.2 lbs
Pole & Base Weight	28.0 lbs
Lightning Protection	Direct Ground
RF Distribution	Printed Microstrip Substrate
Radome	Ultra High-Strength Luran
Weatherability	UV Stabilized, ASTM D1925
Radome Water Absorption	ASTM D570, 0.45%
Environmental	MIL-STD-810E
Wind Survival	120 mph
Wind Load @100mph	162 lbf
Equivalent Flat Plate @100mph	3.3 sq-ft. (c=1.65)
Bottom Mount Flange	Aluminum / Stainless Steel



Single unit antenna shown specify electrical tilt of each unit (3 single units create the cylinder)



Recommended Connector Coupling Torque
7/16 DIN: 220-265 lbf-in (25-30 N-m)



Ordering Information & Options

CYL-AXP18-60-xyz

"x", "y" and "z" are order model placeholders for the built-in fixed electrical downtilt combinations in degrees. Set "x", "y" and "z" to either 0, 2, 4 or 6, for internal antennas 1, 2 and 3.

Includes base plate, center pole & brackets.

FLG-4-3

Optional base mounting plate with 4ft center pole only, includes brackets, holds 3 FLG antennas.

Note: single units are available-- see "FLG-AXP18-60" spec sheet