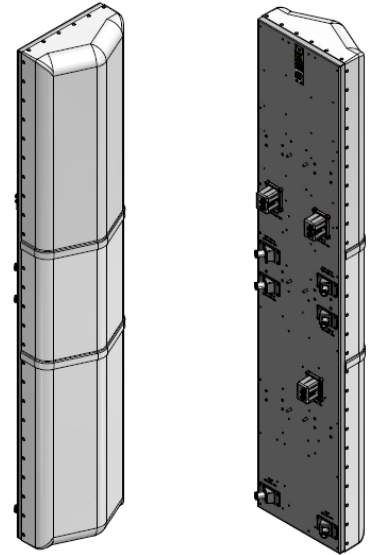


C7CQCAP-FRO-856-V

Circular Polarization, (1) 698-896MHz & (2) 1695-2180 MHz antennas, 96" Length, Fast Roll Off 56° Horizontal Pattern, Variable E-Tilt

- Fast Roll Off (FRO) improves Intra and Inter-cell SINR
- Separate housing and reflector construction optimizes RF performance while maximizing mechanical strength
- Good Passive Intermodulation (PIM) performance reduces harmful interference
- Independent tilt per array
- Suitable for LTE/CDMA/UMTS/GSM
- AISG 2.0 RET Control



ELECTRICAL SPECIFICATIONS

Frequency Band, MHz	698-824	824-896	1695-1880	1850-1990	1920-2180
Horizontal Beam Width, 3dB points	62°	59°	56°	54°	52°
Gain, dBi	13.6	14.0	14.7	14.6	14.8
Gain, dBiC	16.6	17.0	17.7	17.6	17.8
Vertical Beam Width, 3dB points	9.3°	7.8°	5.7°	5.4°	5.3°
Upper Side Lobe Suppression, Typical, dB	< -16	< -16	< -16	< -16	< -16
Front-to-Back at 180°, dB	> 28		> 28		
Polarization	Circular (LHCP & RHCP)		2x Circular (LHCP & RHCP)		
Electrical Down Tilt (See Order Information)	0°- 8°/ 4°-12°		0°-11°		
VSWR/Return Loss, dB, Maximum	1.5:1/14.0		1.5:1/14.0		
Axial Ratio, Typical, dB	< 2		< 2		
Isolation Between Ports, dB, Minimum (MHz)	> 24 (746 - 757)		> 24 (2110 - 2155)		
Intermodulation (2x20w), IM3, dBc, Maximum	-153		-153		
Impedance, ohms	50		50		
Maximum Power Per Connector, CW (w)	500		250		

MECHANICAL SPECIFICATIONS

Dimensions, Length/Width/Depth	96/18.8/10.2 In (2438/479/258 mm)
Connector Quantity Type non-IP Model	(6 total: 2 low, 4 high band) 7-16 DIN Female
Connector Torque	220-265 lbf-in (23-30 N-m)
Connector Location	Back
Antenna Weight	76 lbs (34.55 Kg)
Bracket Weight	18.2 lbs (8.25 Kg)
Standard Bracket Kit	919032
Mechanical Downtilt Range	0°- 6°
Radome Material	High Strength Luran, UV Stabilized, ASTM D1925
Wind Survival	150 mph (241 km/h)
Front Wind Load @100mph	364 lbf (1616 N) @100mph
Equivalent Flat Plate @ 100mph	7.24 sq-ft (c=2)

RET INFORMATION

Model	RET-200
Mounting Location	Back
Communication Standard	AISG 2.0
Control System	PCU-220



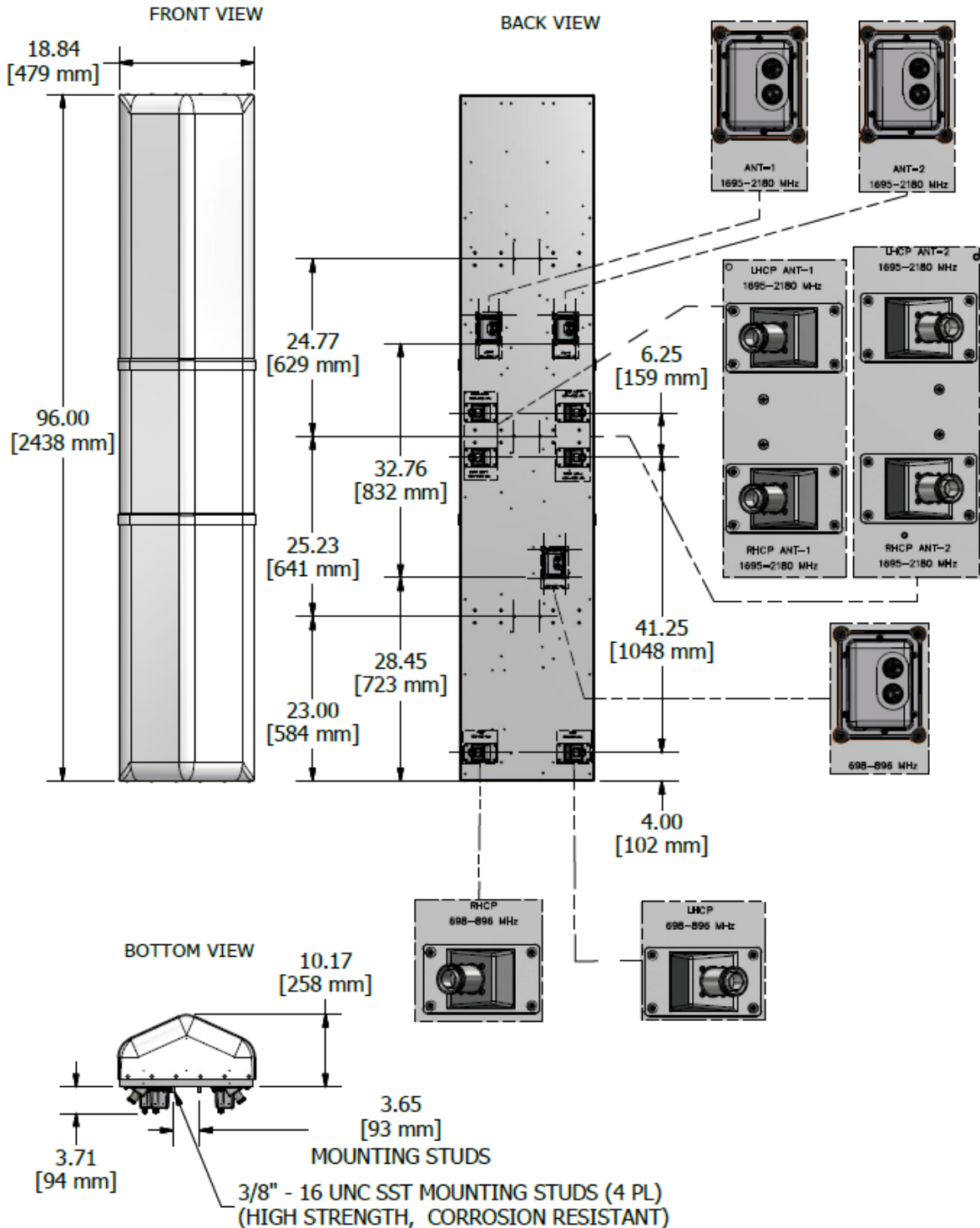
ORDER INFORMATION

MODEL	DESCRIPTION
C7CQCAP-FRO-856VR0	Remote motor adjust variable e-tilt (RET), EDT 0-8° low band and 0-11° high band
C7CQCAP-FRO-856VR4	Remote motor adjust variable e-tilt (RET), EDT 4-12° low band and 0-11° high band
919049	Optional Bracket Kit, 3-Point, 6 deg D-tilt, For 4.5" OD Pole

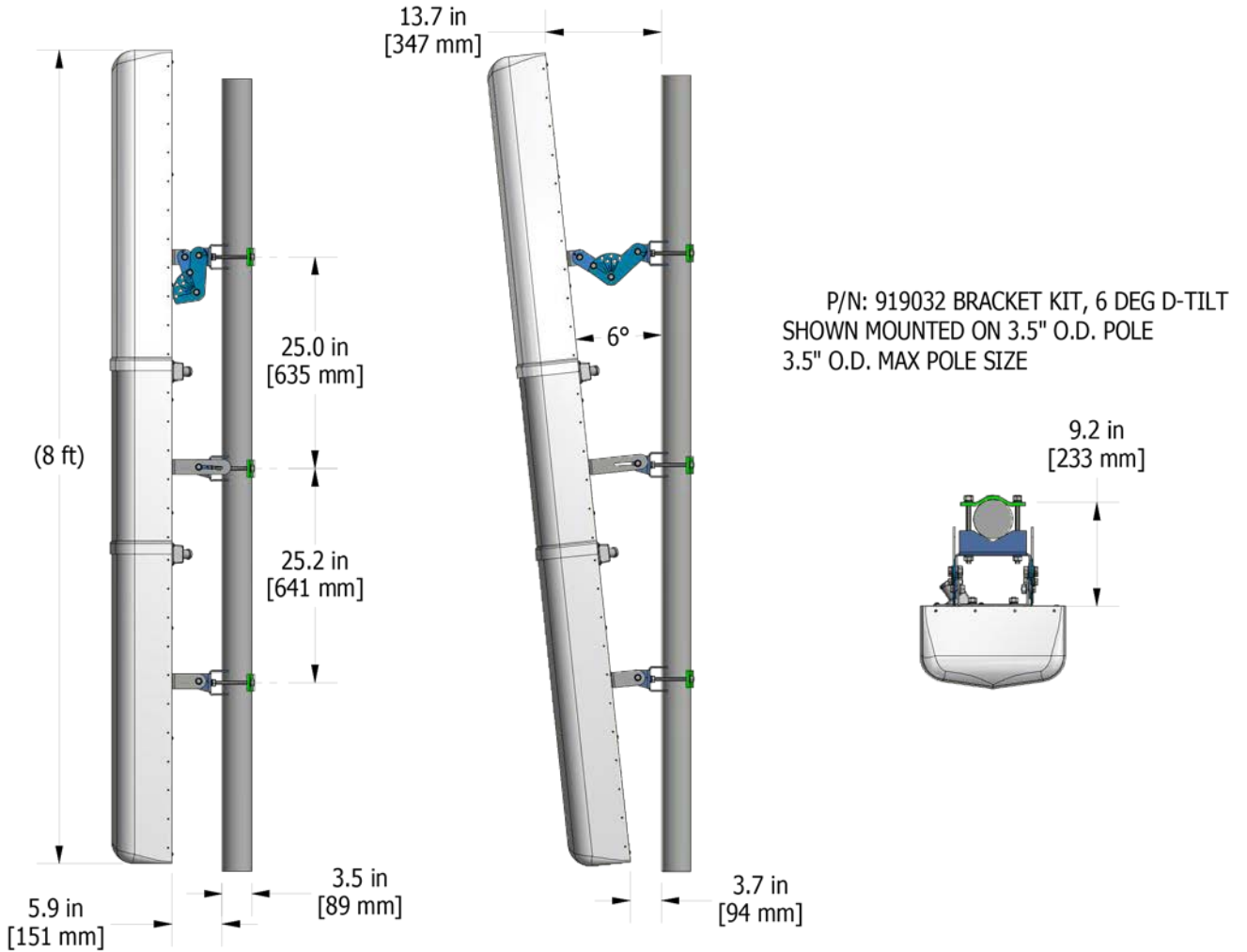
RET ORDERING INFORMATION

MODEL	DESCRIPTION
992100-CA013-SC	AISG Jumper Cable, M/F, 1.3 meters

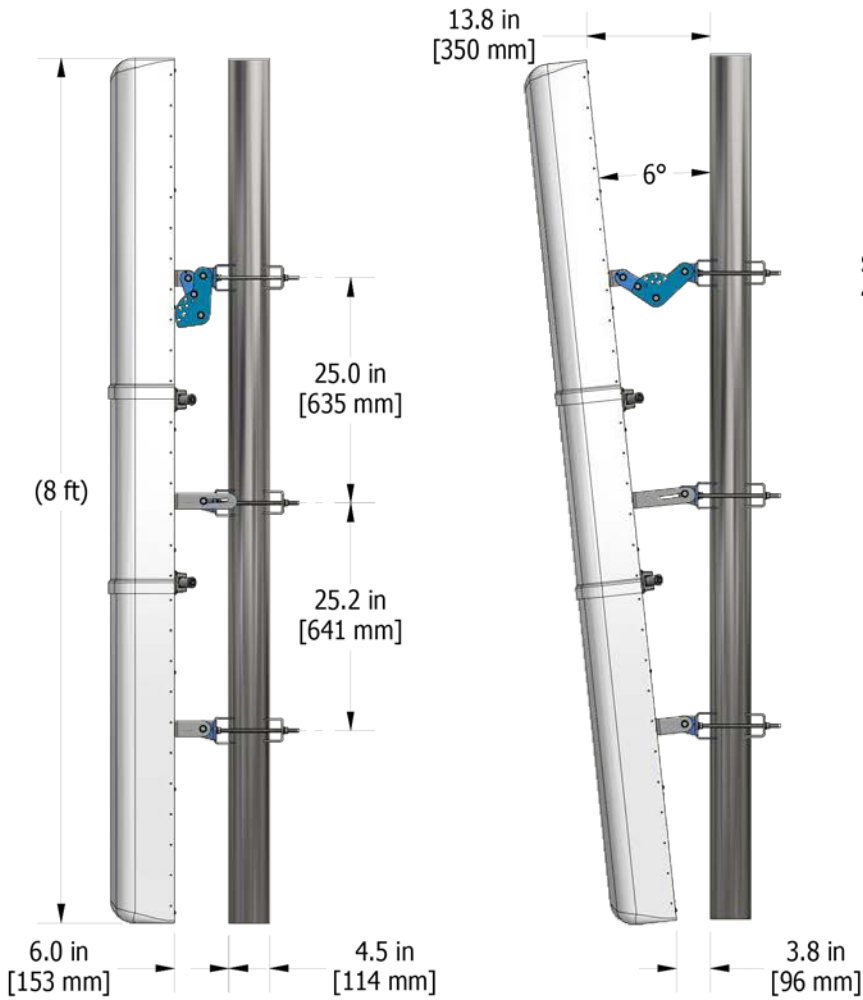
MECHANICAL VIEW



STANDARD BRACKET KIT – 919032



OPTIONAL BRACKET KIT – 919049



P/N: 919049 BRACKET KIT, 3 POINT, 6 DEG D-TILT
 SHOWN MOUNTED ON (OPTIONAL) 4.5" O.D. POLE
 4.5" O.D. MAX POLE SIZE

