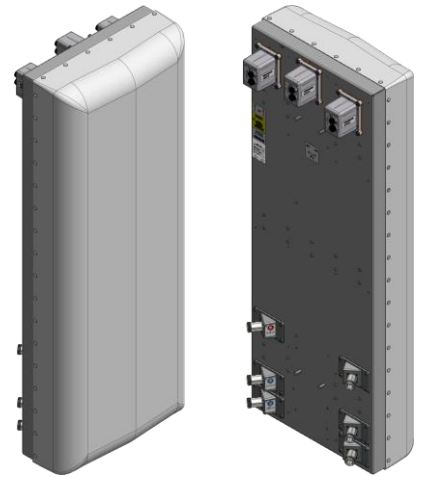


## C7QCAP-FRO-456-V

Circular Polarization, (1) 698-896MHz & (2) 1695-2180 MHz Antennas, 50.5" Length, Fast Roll Off 56° Horizontal Pattern, Variable E-Tilt

- Fast Roll Off (FRO) improves intra- and inter-cell SINR
- Separate housing and reflector construction optimizes RF performance while maximizing mechanical strength
- Good Passive Intermodulation (PIM) performance reduces harmful interference
- Independent tilt per array
- Suitable for LTE/CDMA/UMTS/GSM
- AISG 2.0 RET control



## ELECTRICAL SPECIFICATIONS

Frequency band, MHz	698-824	824-896	1695-1880	1850-1990	1920-2180
Horizontal beam width, 3dB points	60°	57°	58°	54°	51°
Gain, dBi	11.3	11.8	13.6	13.6	14.3
Gain, dBiC	14.3	14.8	16.6	16.6	17.3
Vertical beam width, 3dB points	17.5	15.5	7.5	7.1	6.8
Upper side lobe suppression, typical, dB	< -18	< -18	< -18	< -18	< -18
Front-to-back at 180°, dB	> 30		> 30		
Polarization	Circular		2x Circular		
Electrical downtilt (see order information)	0°- 20°		0°- 12°		
VSWR/return Loss, dB, maximum	1.5:1/14.0		1.5:1/14.0		
Axial ratio, typical, dB	< 2		< 2		
Isolation between ports, dB, minimum	>24 (746 - 757)		>24 (2110 - 2155)		
Intermodulation (2x20w), IM3, dBc, maximum	-153		-153		
Impedance, ohms	50		50		
Maximum power per connector, CW (w)	500		250		

## MECHANICAL SPECIFICATIONS

Dimensions, length/width/depth	50.5/18.8/8.1 in (1383/476/206 mm)
Connector (quantity) type	(6) Total: (2) low band & (4) high band 7-16 DIN female
Connector torque	220-265 lbf-in (23-30 N-m)
Connector location	back
Antenna weight	45 lbs (20.45 kg)
Bracket weight (not included in antenna weight)	13.2 lbs (5.99Kg)
Standard bracket kit	919011 (included)
Mechanical downtilt range	0°-12°
Radome material	High-strength Luran® UV stabilized, ASTM D1925
Wind survival	150 mph (241 km/h)
Front wind load @100mph	163.5 lbf (727.5 N)
Equivalent flat plate @100mph	3.26 sq-ft (c=2) @100 mph

## RET INFORMATION

Model	RET-200
Mounting location	Back
Communication standard	AISG 2.0
Control system	PCU-1000



## ORDER INFORMATION

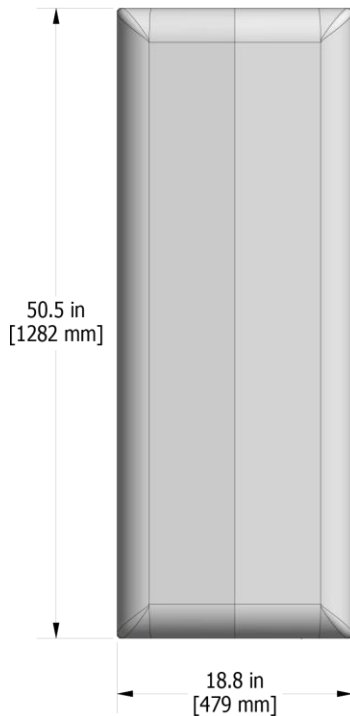
MODEL	DESCRIPTION
C7CQCAP-FRO-456-VR	4F,HEX,CPol FRO 56° LB/HB 0-20°/0-12°EDT
919036	Optional bracket kit, 2-Point, 12deg D-tilt, for 4.5" OD Pole

## OTHER ORDERING INFORMATION

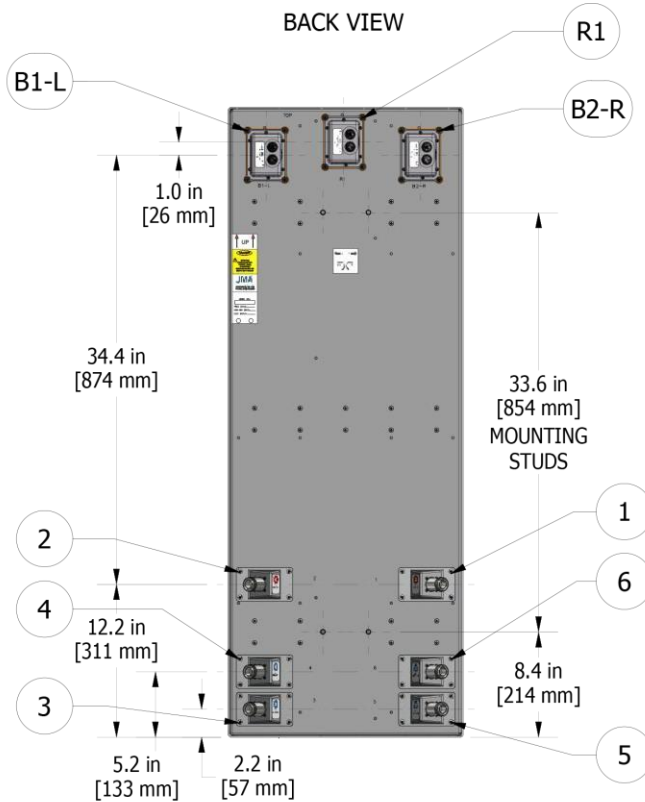
MODEL	DESCRIPTION
992100-CA013-SC	AISG jumper cable, M/F, 1.3 meters

### MECHANICAL VIEWS

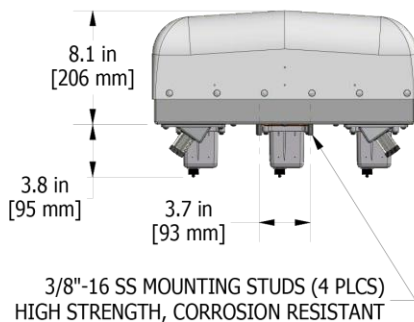
FRONT VIEW



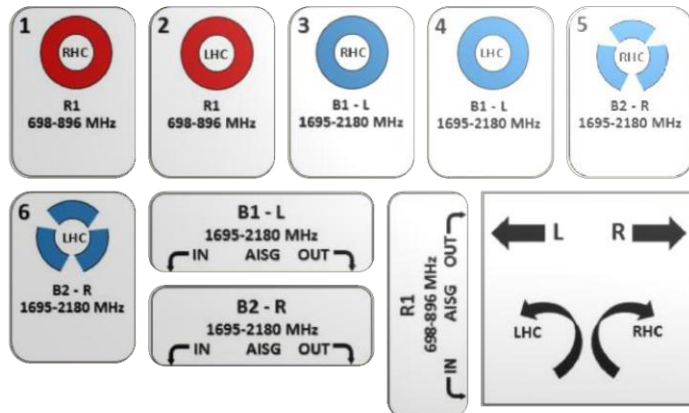
BACK VIEW



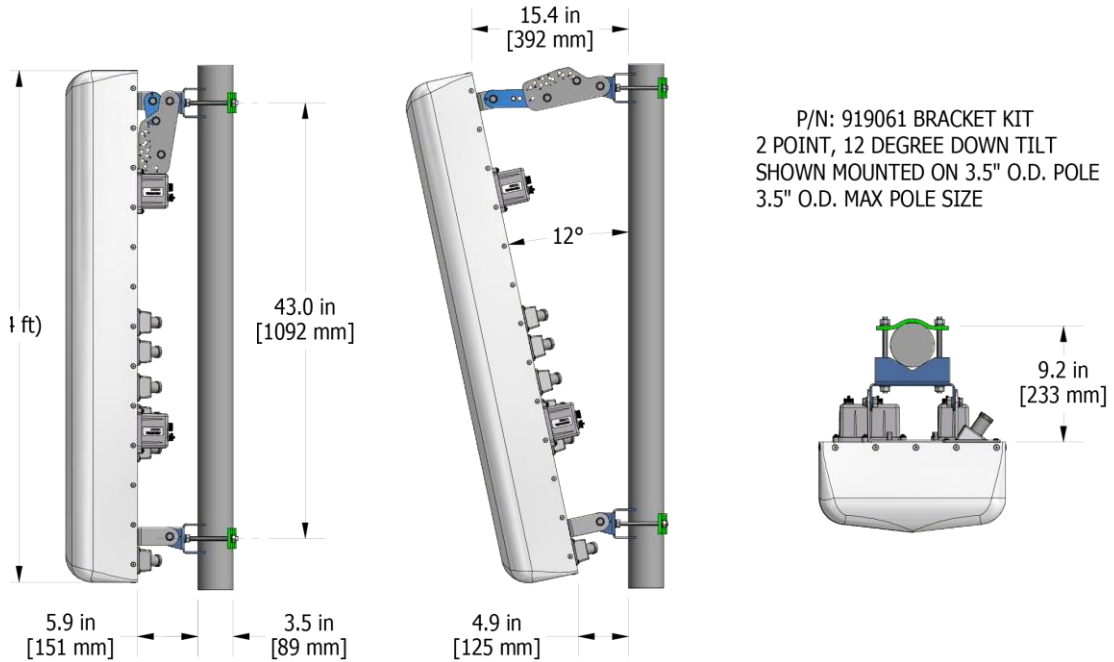
BOTTOM VIEW



PORT RET LABELING



### STANDARD BRACKET KIT – 919011



### OPTIONAL BRACKET KIT – 919036

